



US00D814948S

(12) **United States Design Patent**
Bodum

(10) **Patent No.:** **US D814,948 S**

(45) **Date of Patent:** **** Apr. 10, 2018**

- (54) **TIMER**
- (71) Applicant: **PI-Design AG**, Triengen (CH)
- (72) Inventor: **Jorgen Bodum**, Meggen (CH)
- (73) Assignee: **Pi-Design AG**, Triengen (CH)
- (**) Term: **15 Years**

- D190,749 S * 6/1961 Marti D10/1
- D242,434 S * 11/1976 Knowles D10/10
- D309,717 S * 8/1990 Azman D10/6
- D312,408 S * 11/1990 Isobe D10/15
- D333,099 S * 2/1993 Hiromori D10/15
- D460,362 S * 7/2002 Kalman D10/1
- D467,817 S * 12/2002 Hsu D10/1
- D468,216 S * 1/2003 Hsu D10/15
- D475,930 S * 6/2003 Chang D10/1
- D475,932 S * 6/2003 Li D10/12

(Continued)

- (21) Appl. No.: **29/577,031**
- (22) Filed: **Sep. 8, 2016**

(30) **Foreign Application Priority Data**

Mar. 9, 2016 (EM) DM/089743

(51) **LOC (11) Cl.** **10-03**

(52) **U.S. Cl.**
USPC **D10/40**

(58) **Field of Classification Search**

USPC D10/1-11, 14-15, 17-29, 40-41, 44,
D10/46.1, 46.2, 48-53, 56-57, 122-132;
D20/10-11, 20, 21, 28-29, 42, 99;
D14/344, 170-171, 490, 492; D5/30;
D11/116, 132-133, 157; D21/531

CPC ... G04F 1/00; G04F 1/06; G04F 1/063; G04F
7/06; G04F 7/08; G04B 19/06; A63F
3/0423; A63F 3/00643; A63F 13/211;
A63F 13/213; A63F 13/2145; A63F
13/215; A63F 13/216; A63F 13/335;
A63F 13/35; A63F 13/537; A63F 13/57;
A63F 13/58; A63F 13/79; A63F 13/80;
A63F 13/98; A63F 1/04; A63F
2003/00813; A63F 2003/00996; A63F
2003/0428; A63F 9/0098; A63B 71/0619;
A63B 71/0686

See application file for complete search history.

(56) **References Cited**

U.S. PATENT DOCUMENTS

- D114,121 S * 4/1939 Klein D10/15
- D145,576 S * 9/1946 Hallward D10/22

OTHER PUBLICATIONS

Carlo Nason Moodbase Table Lamp for Mazzega | posted at vntg.com No posting date given; Vintage 1970s design [online][site visited Sep. 8, 2017]. Available from Internet: <<https://www.vntg.com/61918/carlo-nason-moonbase-lt357-table-lamp-for-mazzega/>>.*

(Continued)

Primary Examiner — Sandra S Snapp
Assistant Examiner — Katherine Glennon
 (74) *Attorney, Agent, or Firm* — McDonnell Boehnen
 Hulbert & Berghoff LLP

(57) **CLAIM**

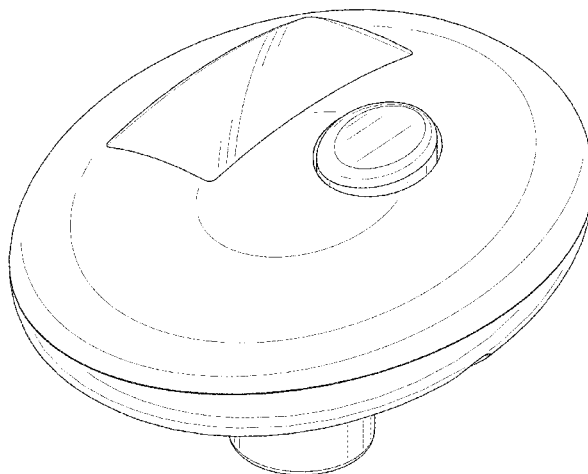
The ornamental design for a timer, as shown and described.

DESCRIPTION

FIG. 1 is an embodiment of a timer in a perspective view;
 FIG. 2 is a front view thereof;
 FIG. 3 is a rear view thereof;
 FIG. 4 is a left side view thereof;
 FIG. 5 is a right side view thereof;
 FIG. 6 is a top view thereof; and,
 FIG. 7 is a bottom view thereof.

The broken lines illustrate portions of the timer that form no part of the claimed design.

1 Claim, 7 Drawing Sheets



(56)

References Cited

U.S. PATENT DOCUMENTS

D476,240 S * 6/2003 Kuramochi D10/40
D485,193 S * 1/2004 Chan D10/18
D485,498 S * 1/2004 Tong D10/15
D558,069 S * 12/2007 Bodum D10/40
D567,673 S * 4/2008 Chu D10/15
D594,766 S * 6/2009 Oney D10/40
D596,506 S * 7/2009 Fernie D10/1
D607,690 S * 1/2010 Bodum D7/376
D615,421 S * 5/2010 Bedol D10/1
D625,205 S * 10/2010 Schermuly D10/44
D628,907 S * 12/2010 Bedol D10/1
D640,142 S * 6/2011 Bedol D10/15
D647,502 S * 10/2011 Holzer D14/168
D672,256 S * 12/2012 Behar D10/39
D756,326 S * 5/2016 Holzer D14/171
D793,869 S * 8/2017 Jeon D10/2

OTHER PUBLICATIONS

Normann Copenhagen Danish Modern Digital 99 Minute Kitchen
Timer | posted at desertcart.ae No posting date given Copyright ©
2017 Desertcart [online][site visited Sep. 8, 2017]. Available from
Internet: <<https://www.desertcart.ae/products/12201527-normann-copenhagen-danish-modern-digital-99-minute-kitchen-timer-black>>.*

* cited by examiner

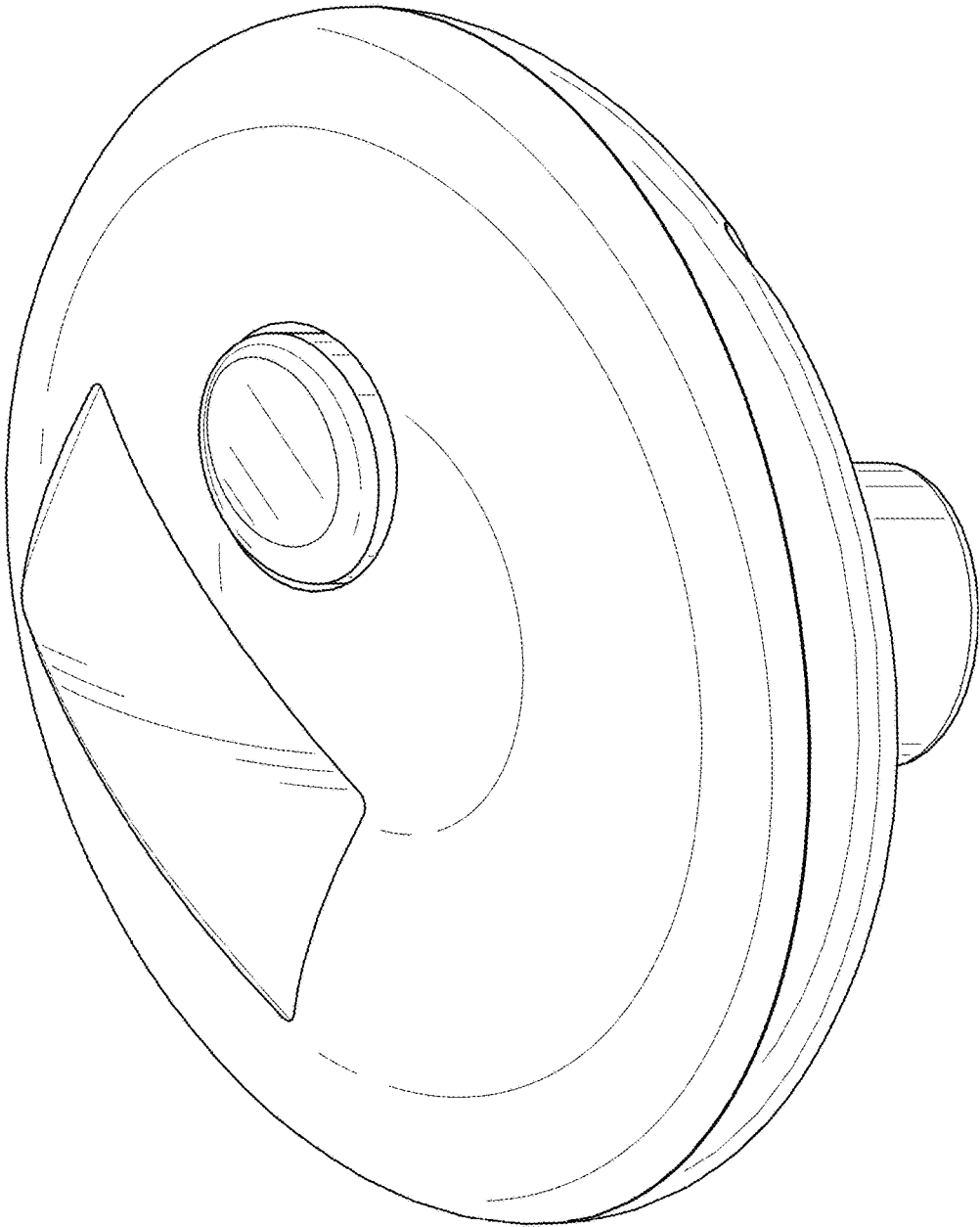


FIG. 1

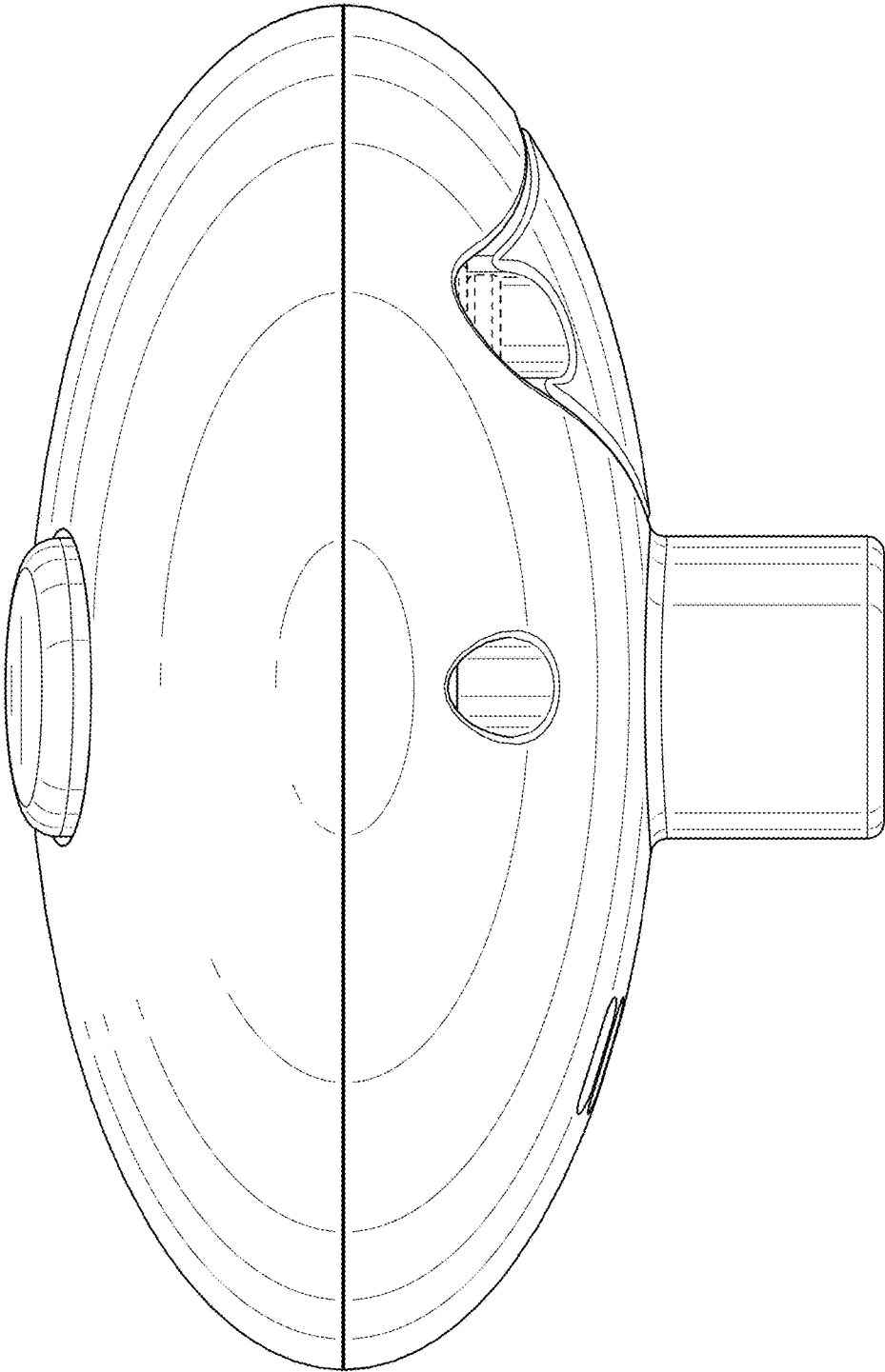


FIG. 2

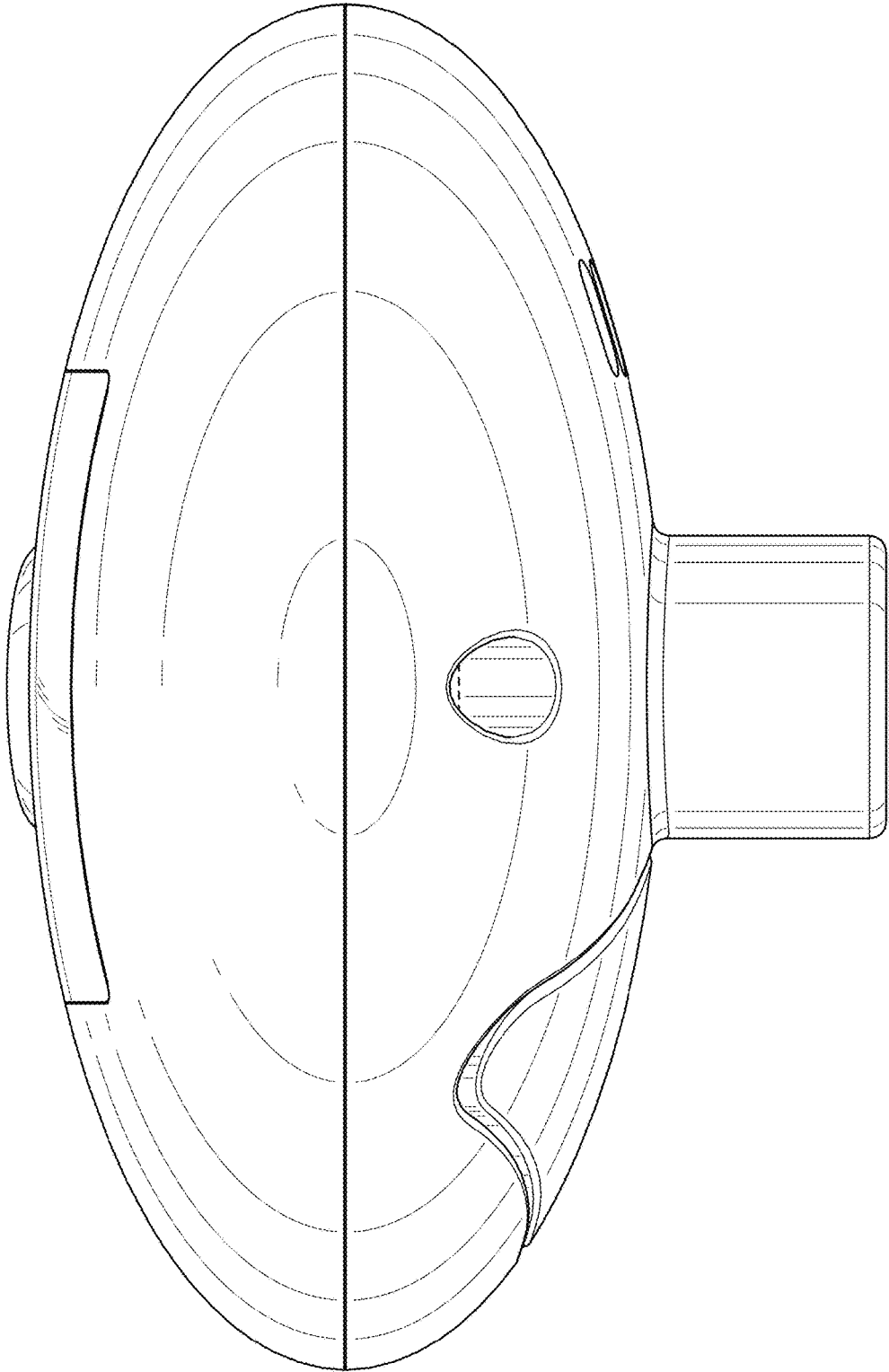


FIG. 3

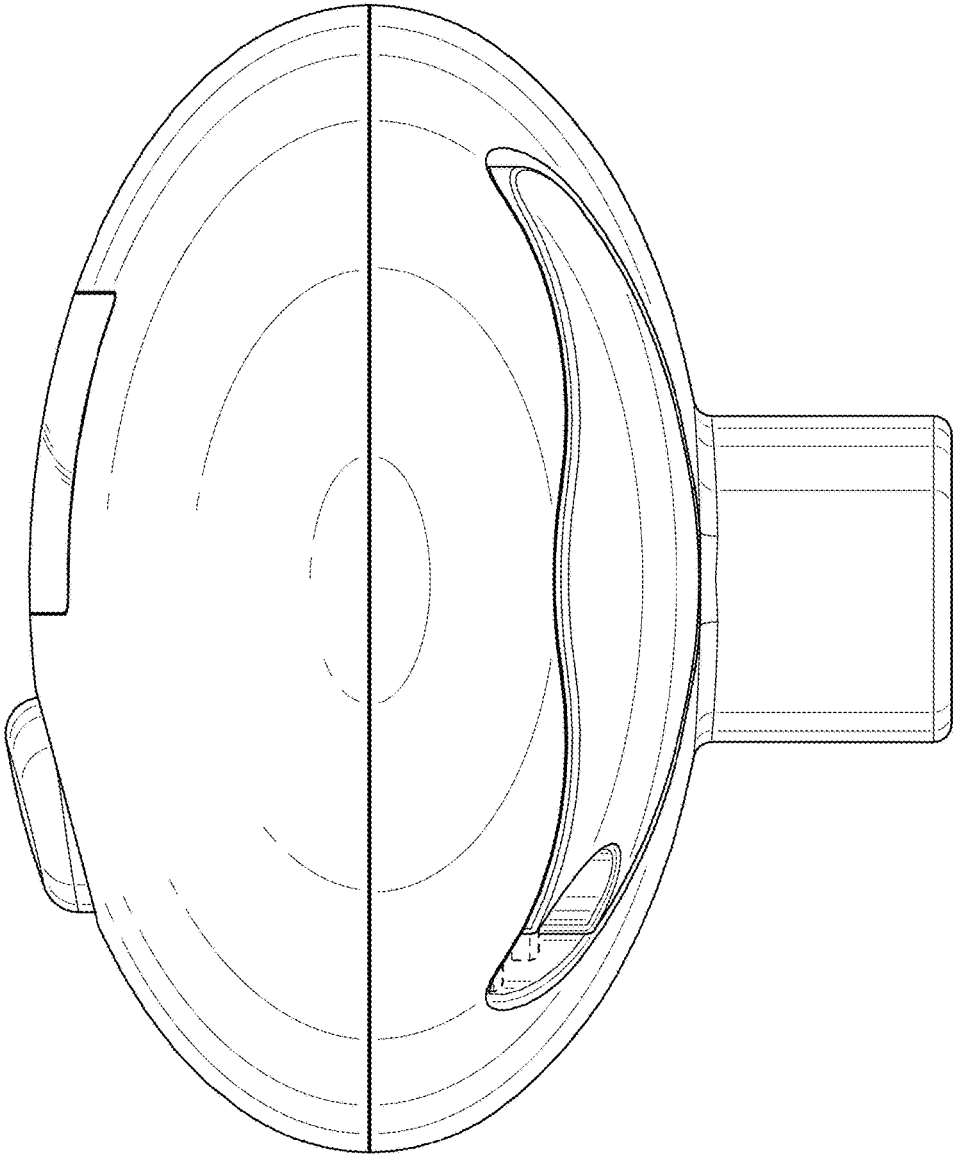


FIG. 4

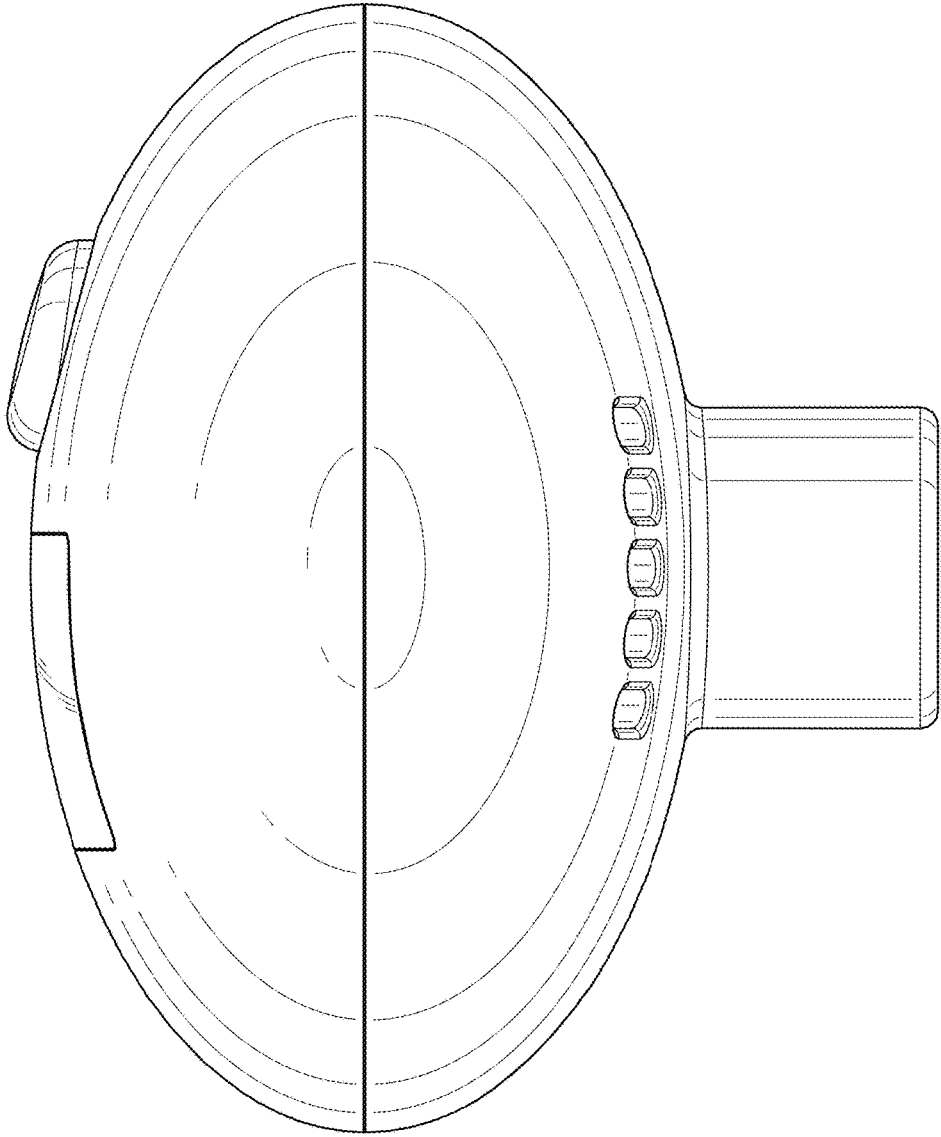


FIG. 5

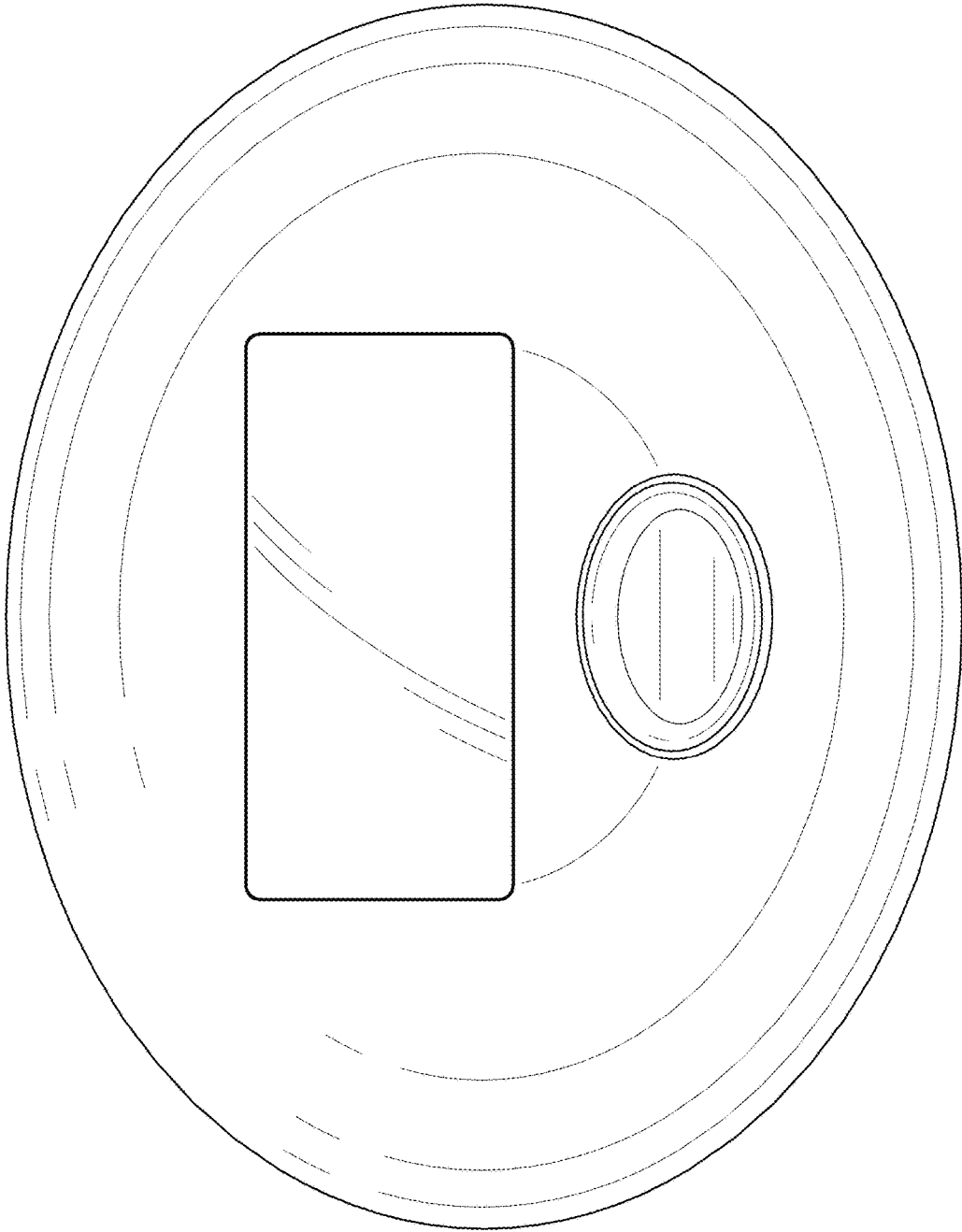


FIG. 6

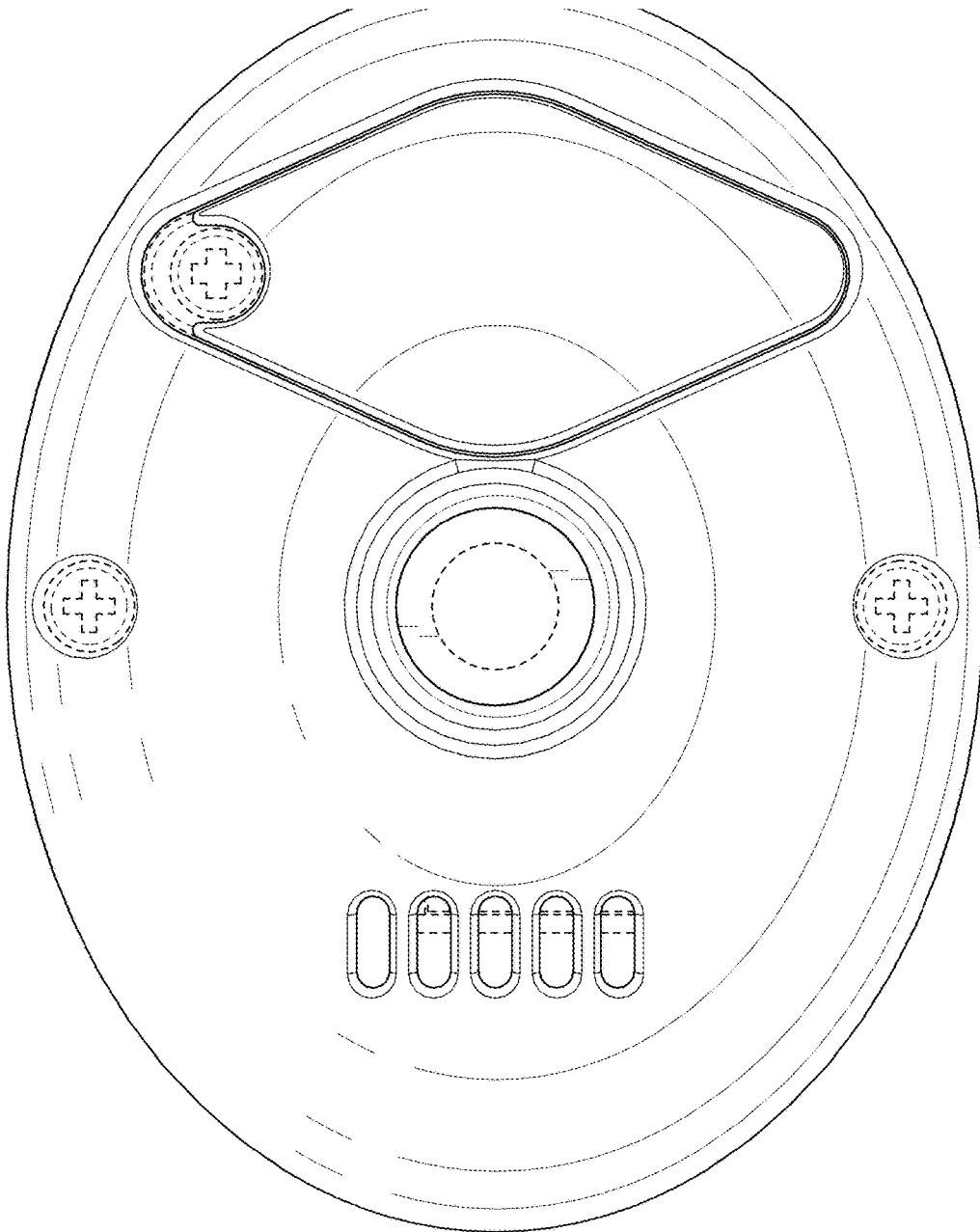


FIG. 7