



US00D332398S

United States Patent [19]

[11] Patent Number: Des. 332,398

Lee et al.

[45] Date of Patent: ** Jan. 12, 1993

[54] TEAR DROP PACKAGE

D. 321,480	11/1991	Benner	D9/415
3,434,591	3/1969	Hanscom	206/461
4,285,157	8/1981	Lambert	206/579 X
4,469,226	9/1984	Matney	206/461 X

[75] Inventors: Noel Lee; Don E. Angel, both of South San Francisco, Calif.

[73] Assignee: Monster Cable, South San Francisco, Calif.

Primary Examiner—Bernard Ansher
Assistant Examiner—Prabhakar Deshmukh
Attorney, Agent, or Firm—Rosen, Dainow & Jacobs

[**] Term: 14 Years

[57] CLAIM

[21] Appl. No.: 654,928

The ornamental design for a tear drop package, as shown and described.

[22] Filed: Feb. 13, 1991

[52] U.S. Cl. D9/415

[58] Field of Search D9/415, 418, 424, 425, D9/341; 206/461-471, 45.34, 806, 525

DESCRIPTION

[56] References Cited

U.S. PATENT DOCUMENTS

D. 256,727	9/1980	Borg et al.	D9/415 X
D. 261,988	11/1981	Nichols et al.	D9/415
D. 273,805	5/1984	Filhol	D9/341 X
D. 282,243	1/1986	Mason	D9/415 X

FIG. 1 is a top plan view of a tear drop package showing our new design;
FIG. 2 is a right side elevational view thereof;
FIG. 3 is a front elevational view thereof;
FIG. 4 is a bottom plan view thereof;
FIG. 5 is a rear elevational view thereof;
FIG. 6 is a left side elevational view thereof; and,
FIG. 7 is a sectional elevational view thereof; taken along line 7-7 of FIG. 1.

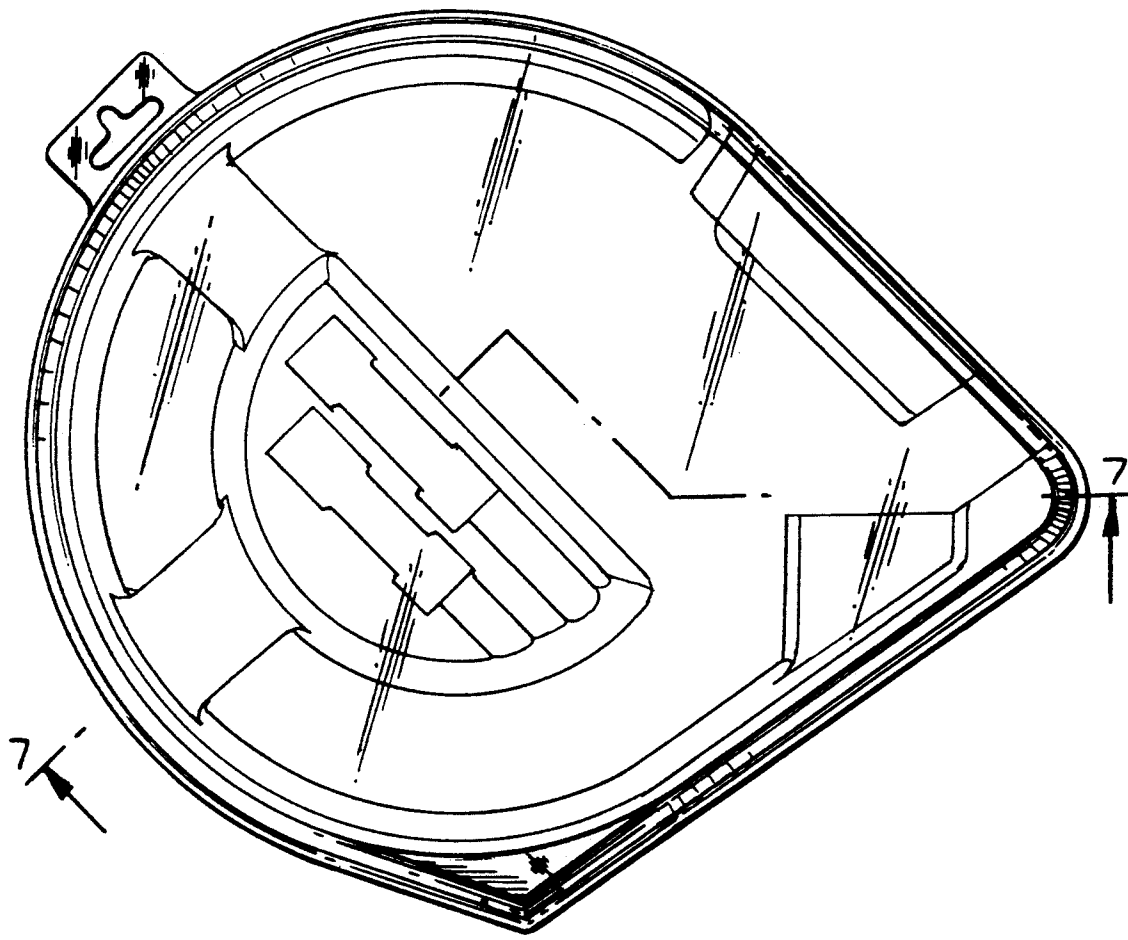


FIG. 1

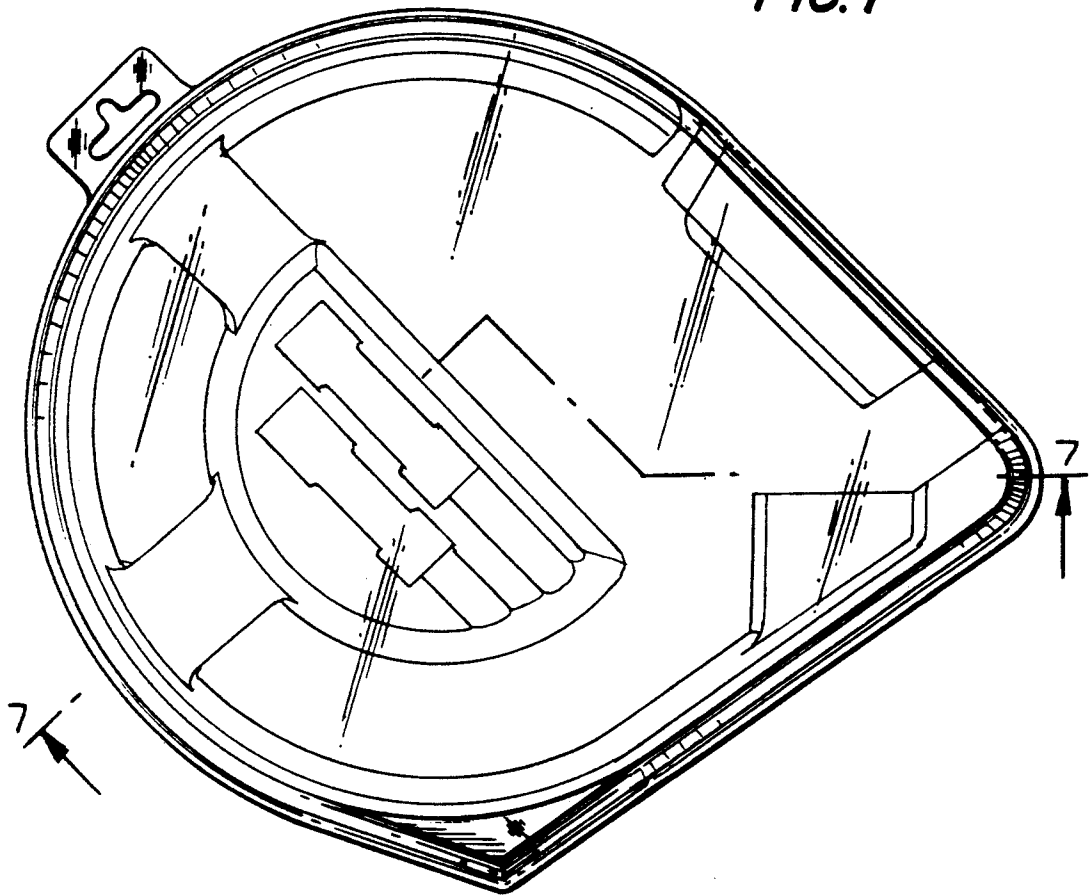


FIG. 2

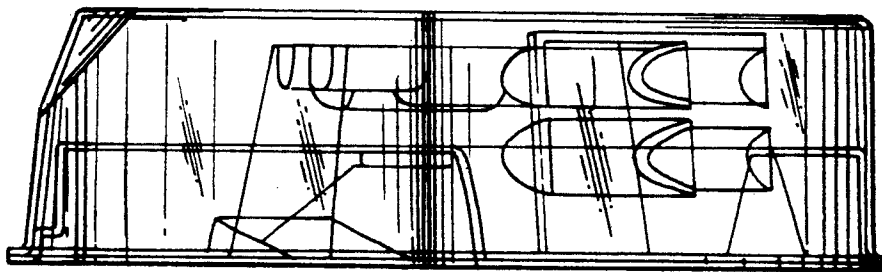


FIG. 3

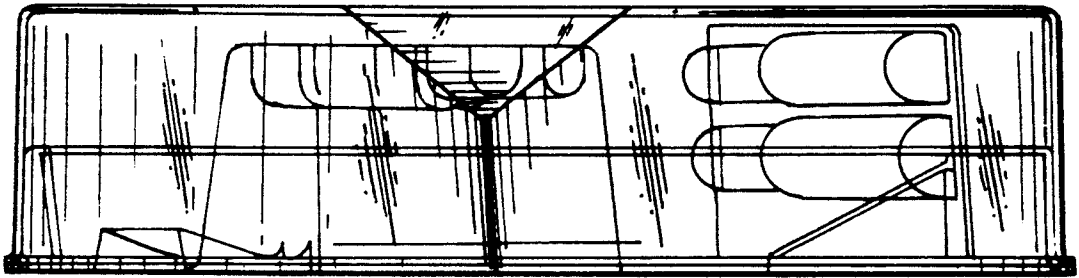


FIG. 4

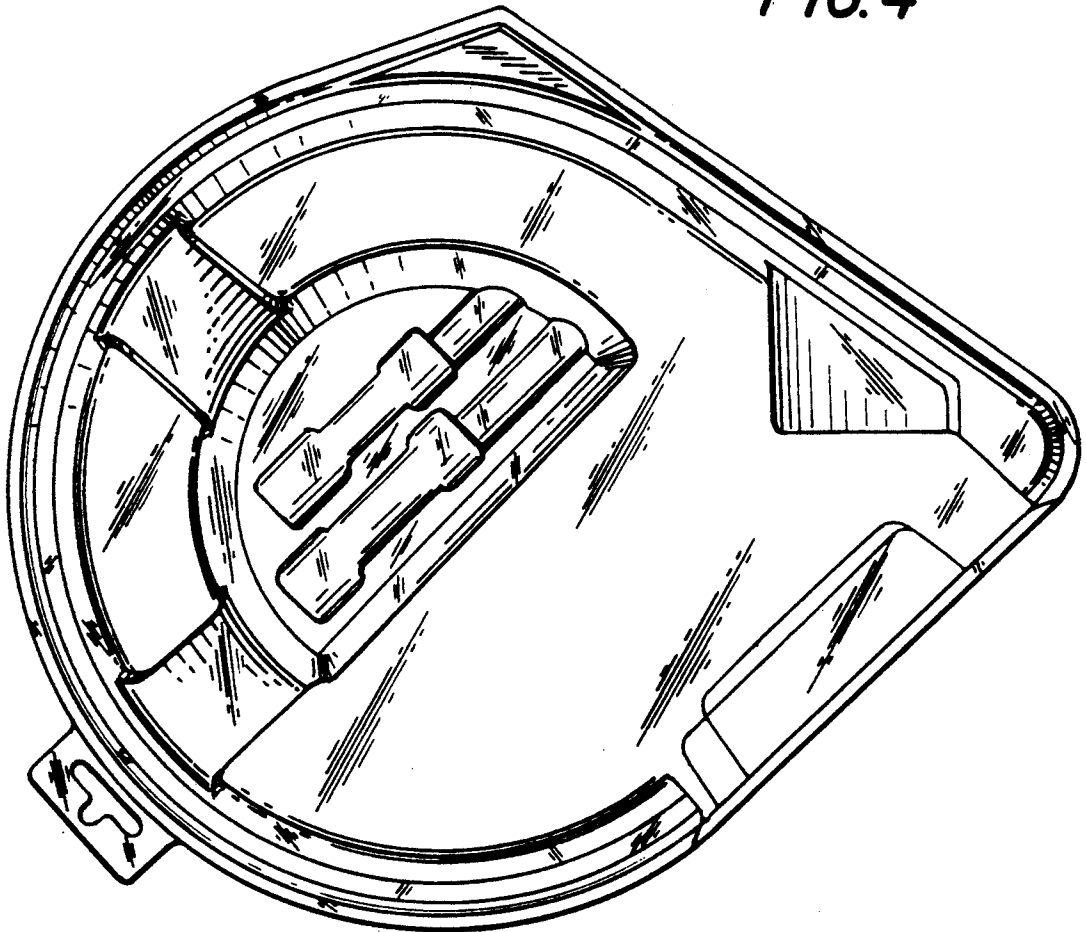


FIG. 5

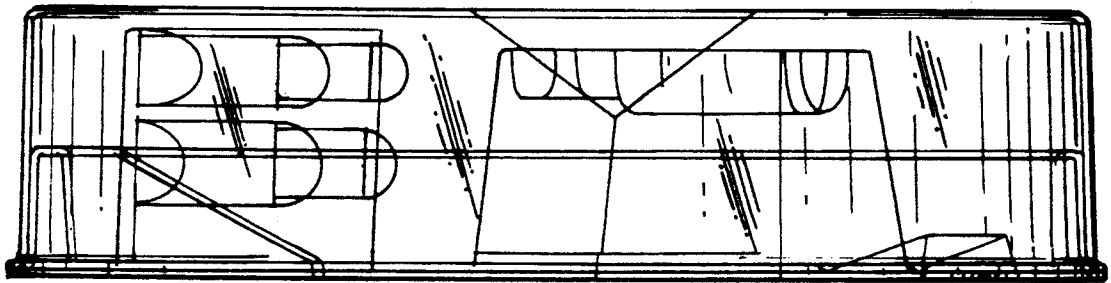


FIG. 6

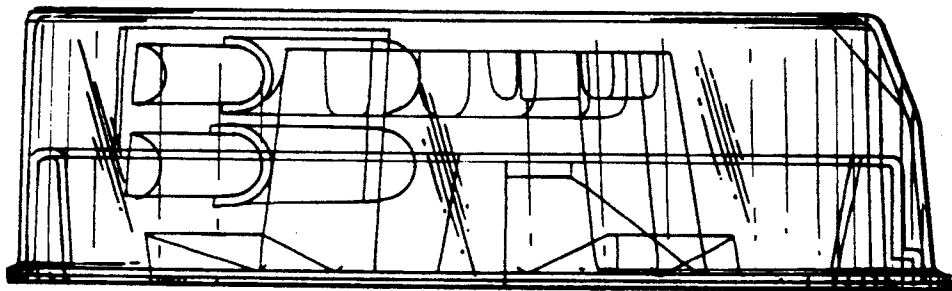


FIG. 7

