



US00D743149S

(12) **United States Design Patent**
Brandelli

(10) **Patent No.:** **US D743,149 S**

(45) **Date of Patent:** **** Nov. 17, 2015**

(54) **HAT WITH WATERPROOF STORAGE
POCKET**

(71) Applicant: **Rick A. Brandelli**, San Juan Capistrano,
CA (US)

(72) Inventor: **Rick A. Brandelli**, San Juan Capistrano,
CA (US)

(**) Term: **14 Years**

(21) Appl. No.: **29/481,713**

(22) Filed: **Feb. 10, 2014**

(51) **LOC (10) Cl.** **02-03**

(52) **U.S. Cl.**
USPC **D2/882**

(58) **Field of Classification Search**

USPC D2/865, 866, 867, 868, 869, 870, 871,
D2/872, 873, 874, 875, 876, 878, 879, 881,
D2/882, 883, 884, 889, 890, 891, 892, 893,
D2/894, 895; 2/209.12, 209.13, 175.1,
2/195.1, 195.2, 195.3, 195.4, 195.6,
2/200.1, 209.3, 209.11, 12, 171, 171.03,
2/173.5, 181, 183, 171.4, 171.5, 172,
2/175.3, 175.4, 181.2, 182.8, 200.2,
2/200.3, 209.4, 209.5, 209.7
CPC A42B 1/004; A42B 1/062; A42B 1/063;
A42B 1/064; A42B 1/069
See application file for complete search history.

(56) **References Cited**

U.S. PATENT DOCUMENTS

1,422,435 A 7/1922 Gooding
2,615,168 A 10/1952 Tannenbaum
D384,488 S * 10/1997 Kaufman D2/866
D396,738 S * 8/1998 Territo D2/866
5,894,604 A * 4/1999 Crabb et al. 2/209.13
6,023,788 A 2/2000 McCallum et al.
D456,118 S * 4/2002 Hill D2/866
6,467,097 B1 * 10/2002 Kutner 2/209.13
D501,979 S * 2/2005 Lundgren D2/866

7,003,809 B1 * 2/2006 Gordon 2/209.13
7,174,573 B1 * 2/2007 Chen et al. 2/209.5
D550,932 S * 9/2007 Cunliffe D2/882
7,275,270 B2 * 10/2007 Cotutsca 2/209.13
D571,982 S * 7/2008 Kirby D2/882
D590,136 S * 4/2009 Campos et al. D2/882
D601,330 S * 10/2009 Bishop D2/882
7,611,255 B1 * 11/2009 Lagassey 362/103
D630,824 S * 1/2011 Thomas D2/893
7,862,194 B2 * 1/2011 Seade 362/106
D635,744 S * 4/2011 Roche D2/882
D689,671 S * 9/2013 Porti et al. D2/891

(Continued)

OTHER PUBLICATIONS

Men's Baseball Cap—Mesh (on-line), added on Dec. 5, 2013.
Retrieved from Internet May 15, 2015, URL: <http://www.kmart.com/men-s-baseball-cap-mesh/p-046VA70632712P> (1 page).*

(Continued)

Primary Examiner — Karen E. Eldridge Powers
Assistant Examiner — Kimberly Barnes
(74) *Attorney, Agent, or Firm* — Crossley Patent Law

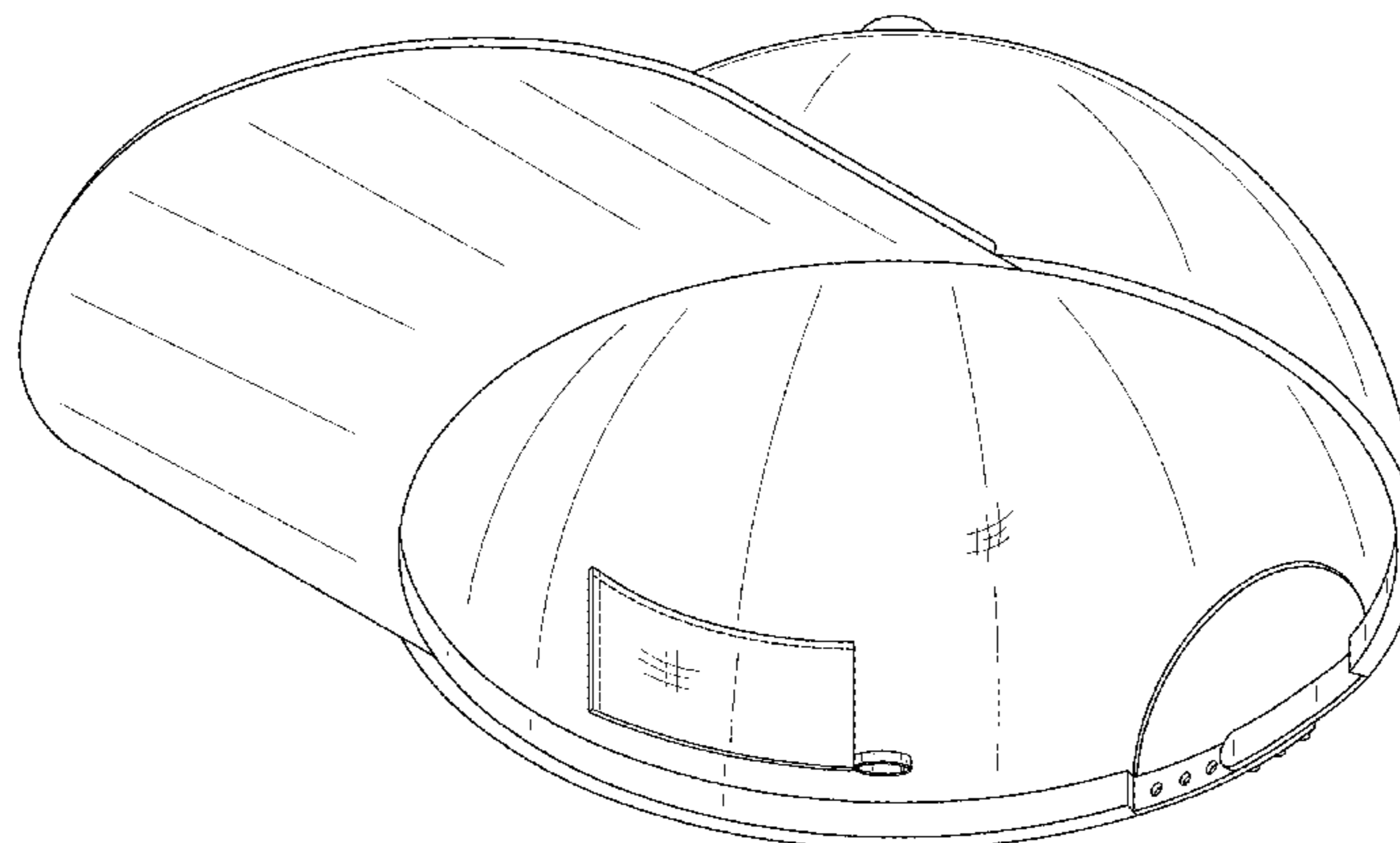
(57) **CLAIM**

The ornamental design for a hat with waterproof storage pocket, as shown and described.

DESCRIPTION

FIG. 1 is a left side elevation view of a Hat With Waterproof Storage Pocket showing my new design; FIG. 2 is a right side elevation view thereof; FIG. 3 is a rear elevation view thereof; FIG. 4 is a front elevation view thereof; FIG. 5 is a top plan view thereof; FIG. 6 is a bottom plan view thereof; FIG. 7 is an isometric view thereof; and, FIG. 8 is a bottom isometric view. The dashed lines in FIGS. 1, 3, 4, 5, 6, 7 and 8 of the drawings depict stitches which form a part of the claimed design.

1 Claim, 8 Drawing Sheets



(56)

References Cited

U.S. PATENT DOCUMENTS

D705,526 S * 5/2014 Clark D2/882
D721,888 S * 2/2015 Nabet, Jr. D3/226
8,943,614 B2 * 2/2015 Salinas 2/87
2004/0222253 A1 * 11/2004 Linch et al. 223/85
2006/0152671 A1 * 7/2006 Risso et al. 351/155
2008/0016602 A1 * 1/2008 Baldwin 2/209.13
2008/0163407 A1 * 7/2008 Gardner 2/209.13
2012/0060259 A1 * 3/2012 Falken 2/209.13

2012/0264492 A1* 10/2012 Stewart 455/575.2
2015/0033445 A1* 2/2015 Warner et al. 2/209.13
2015/0074870 A1* 3/2015 Dunn et al. 2/209.13

OTHER PUBLICATIONS

Teflon covered "Safe" Baseball Cap (on-line), posted on Mar. 2, 2007. Retrieved from Internet May 15, 2015, URL: <http://www.random-good-stuff.com/2007/03/02/teflon-covered-safe-baseball-cap/> (2 pages).*

* cited by examiner

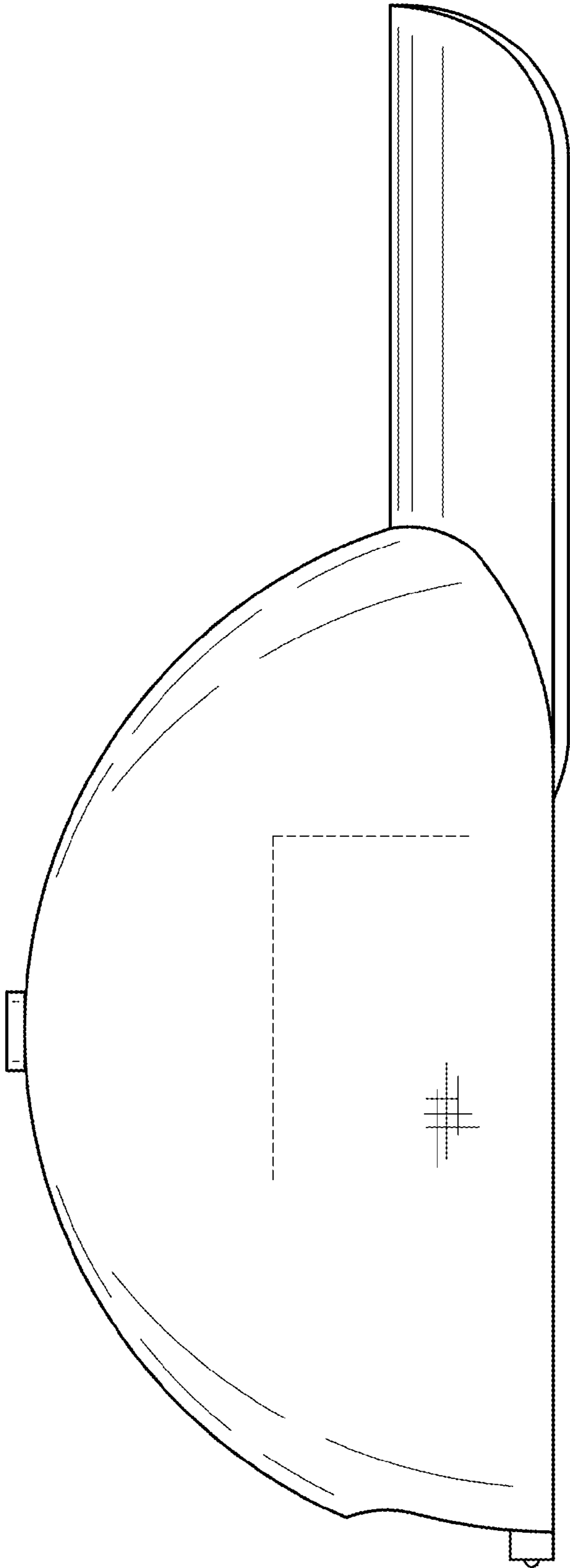


FIG. 1

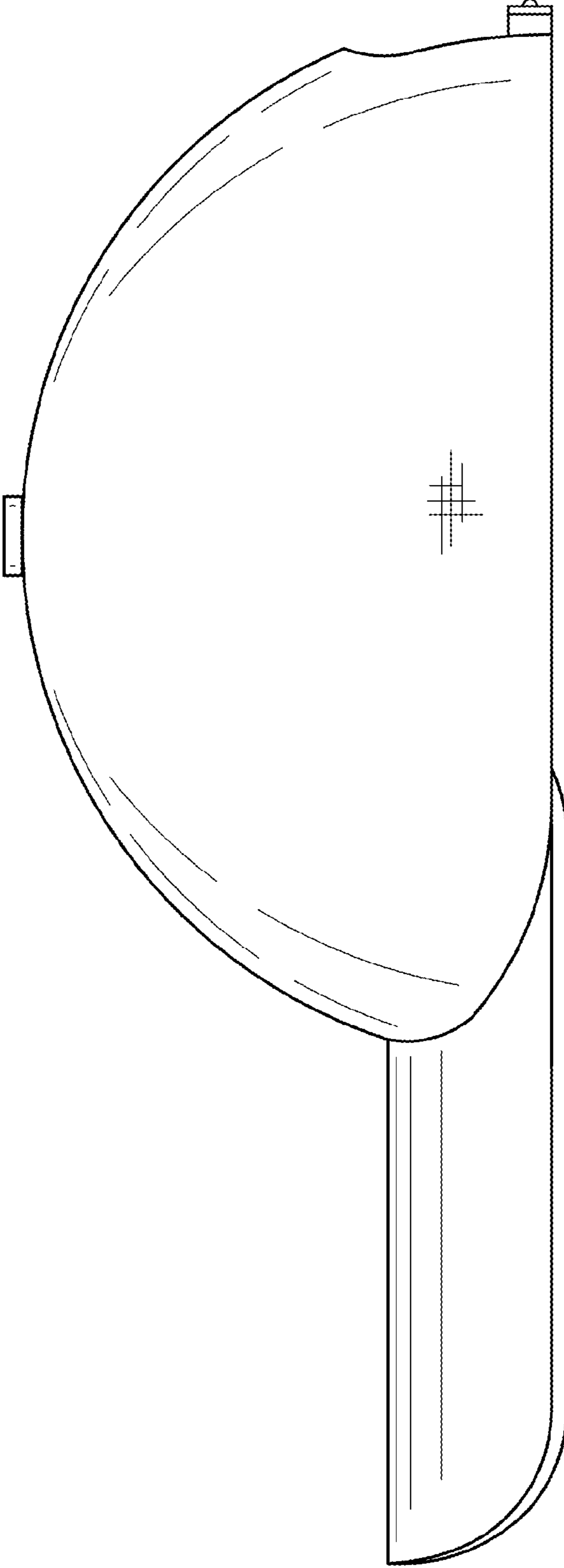


FIG. 2

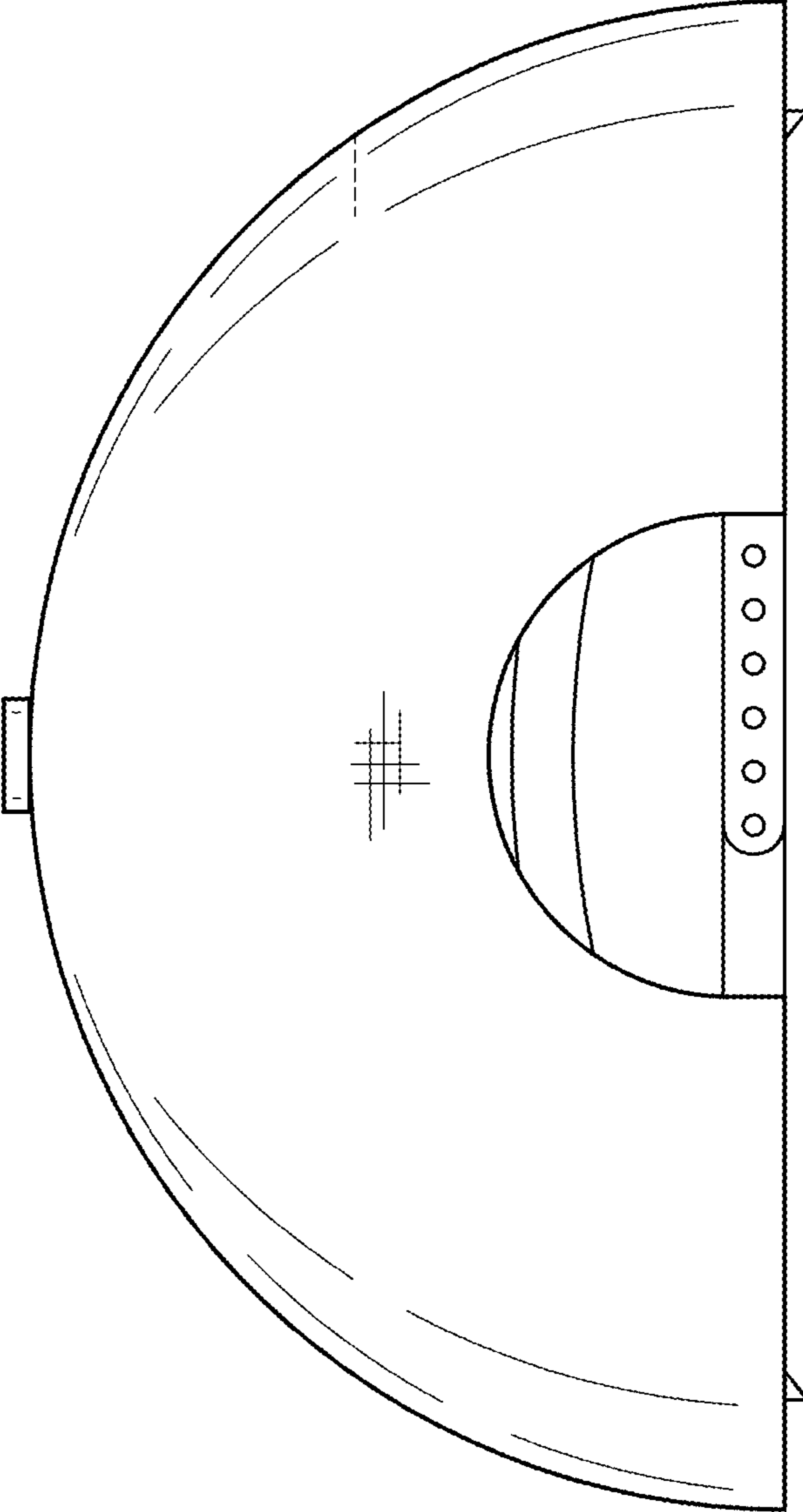


FIG. 3

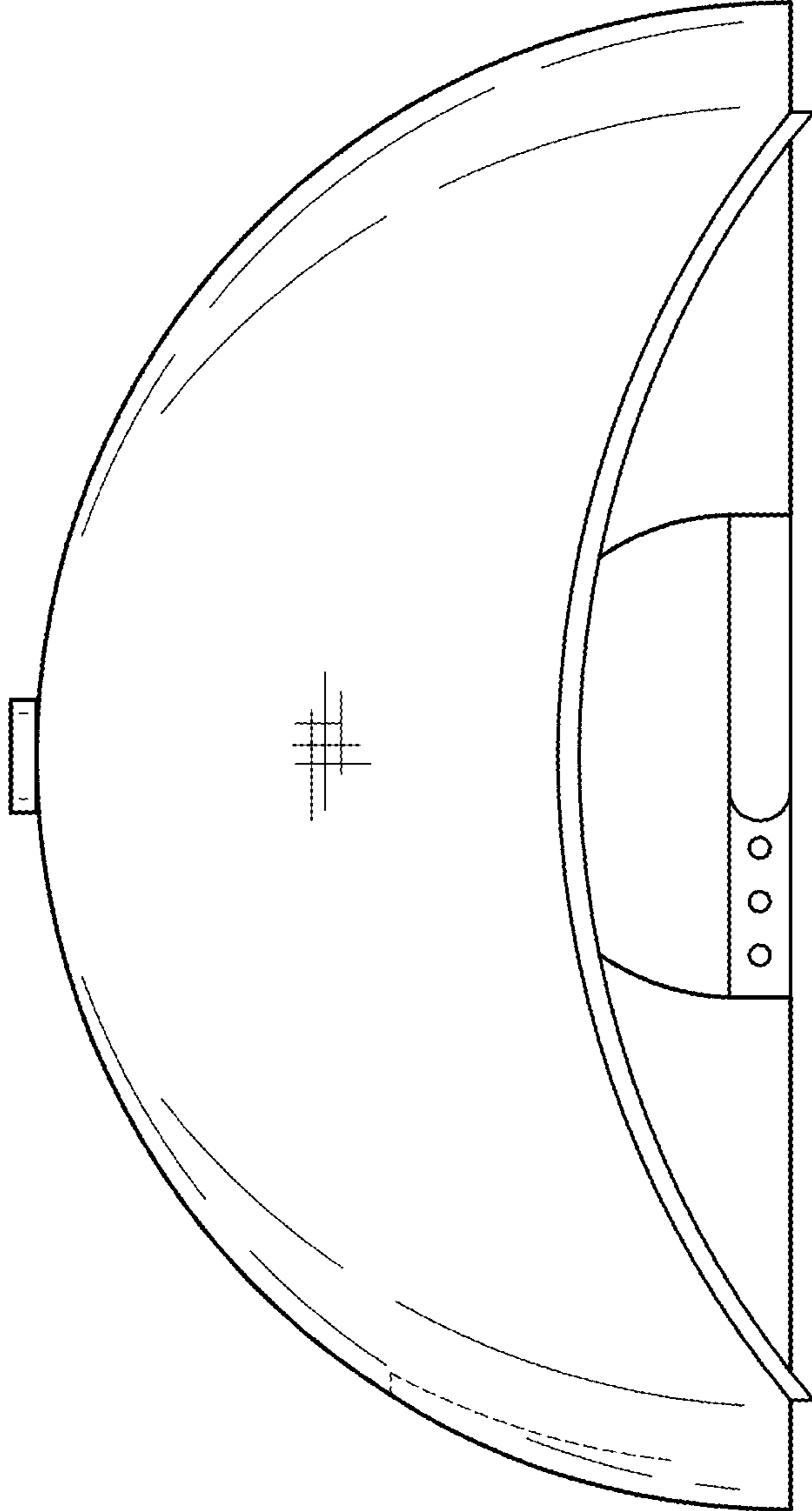


FIG. 4

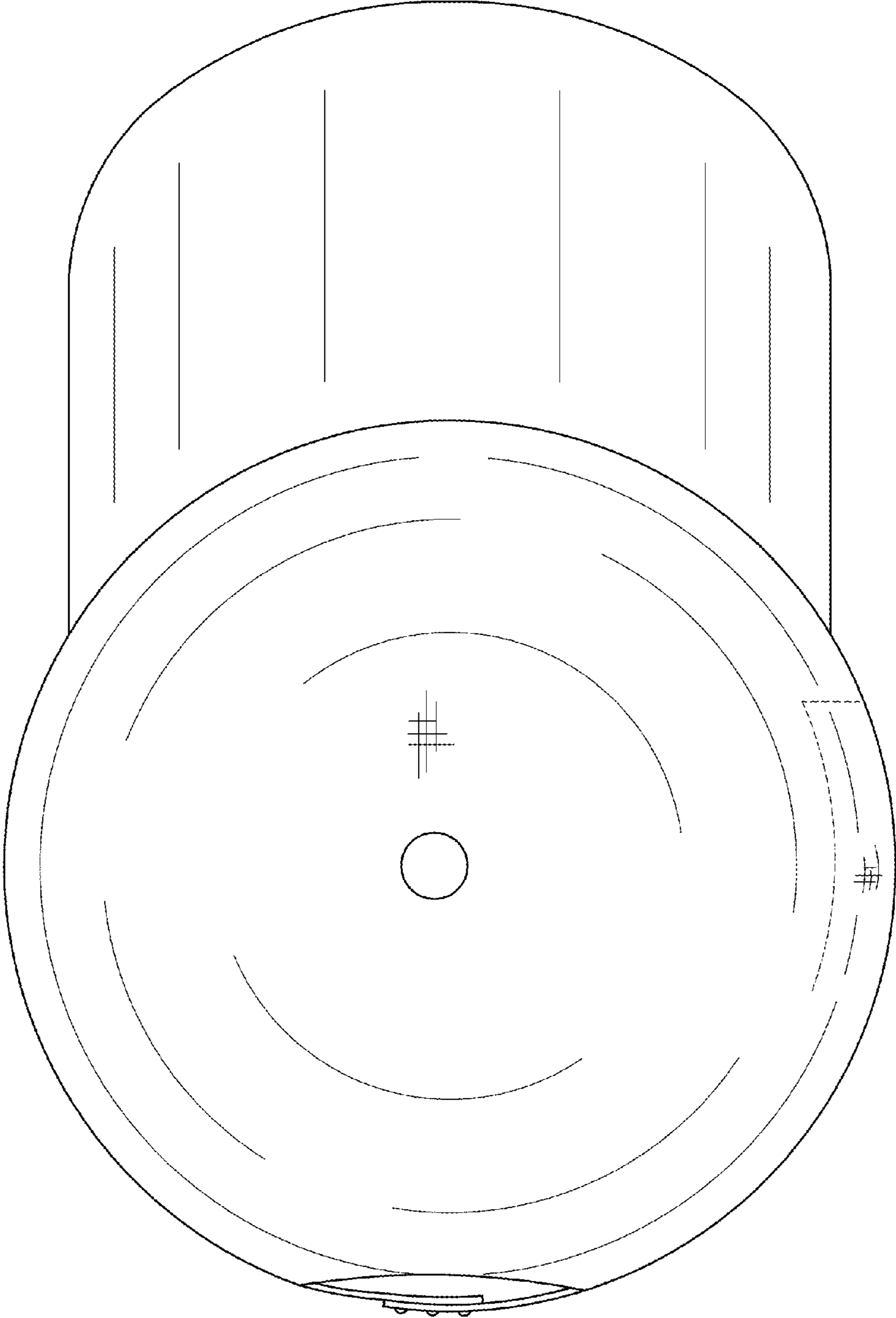


FIG. 5

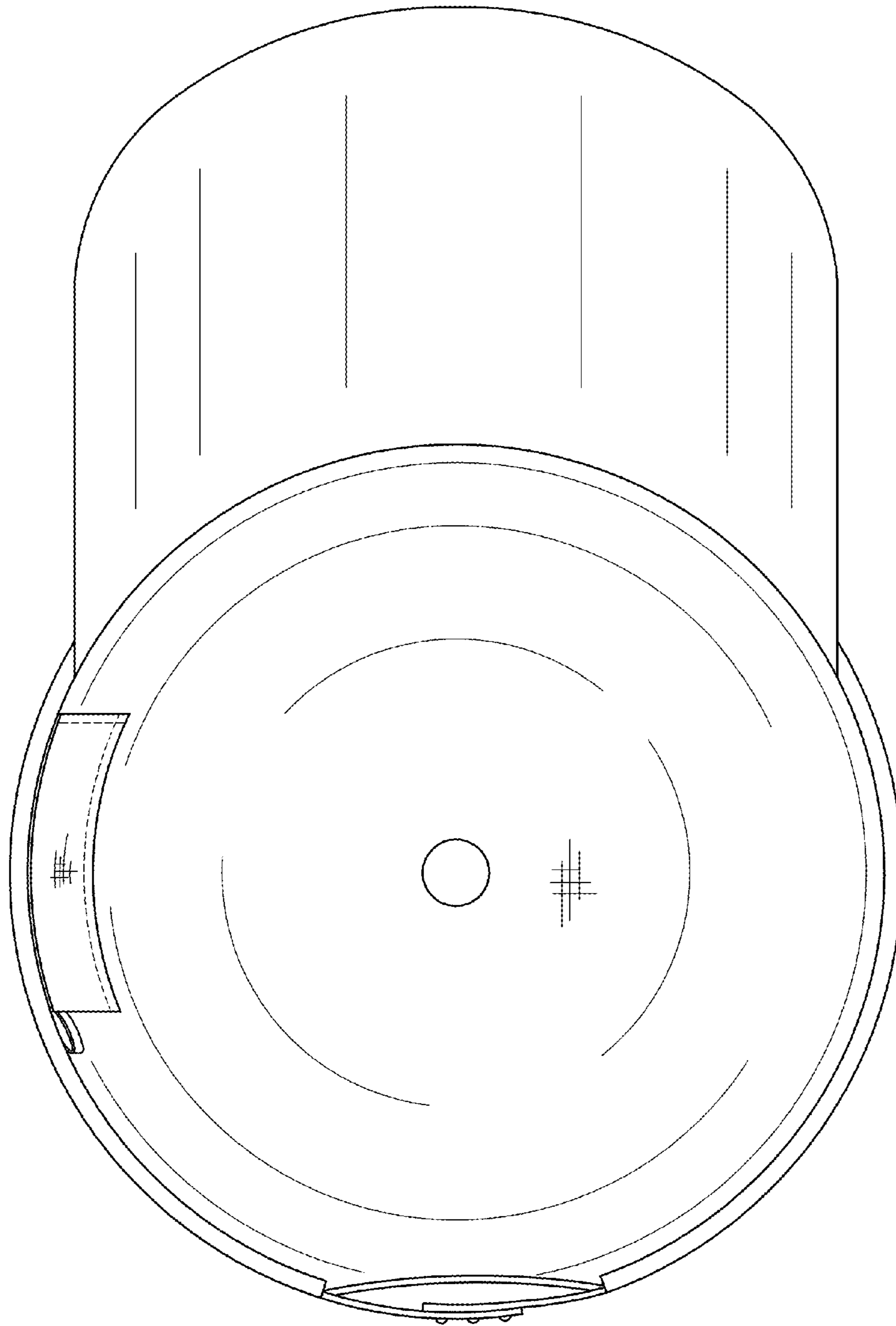


FIG. 6

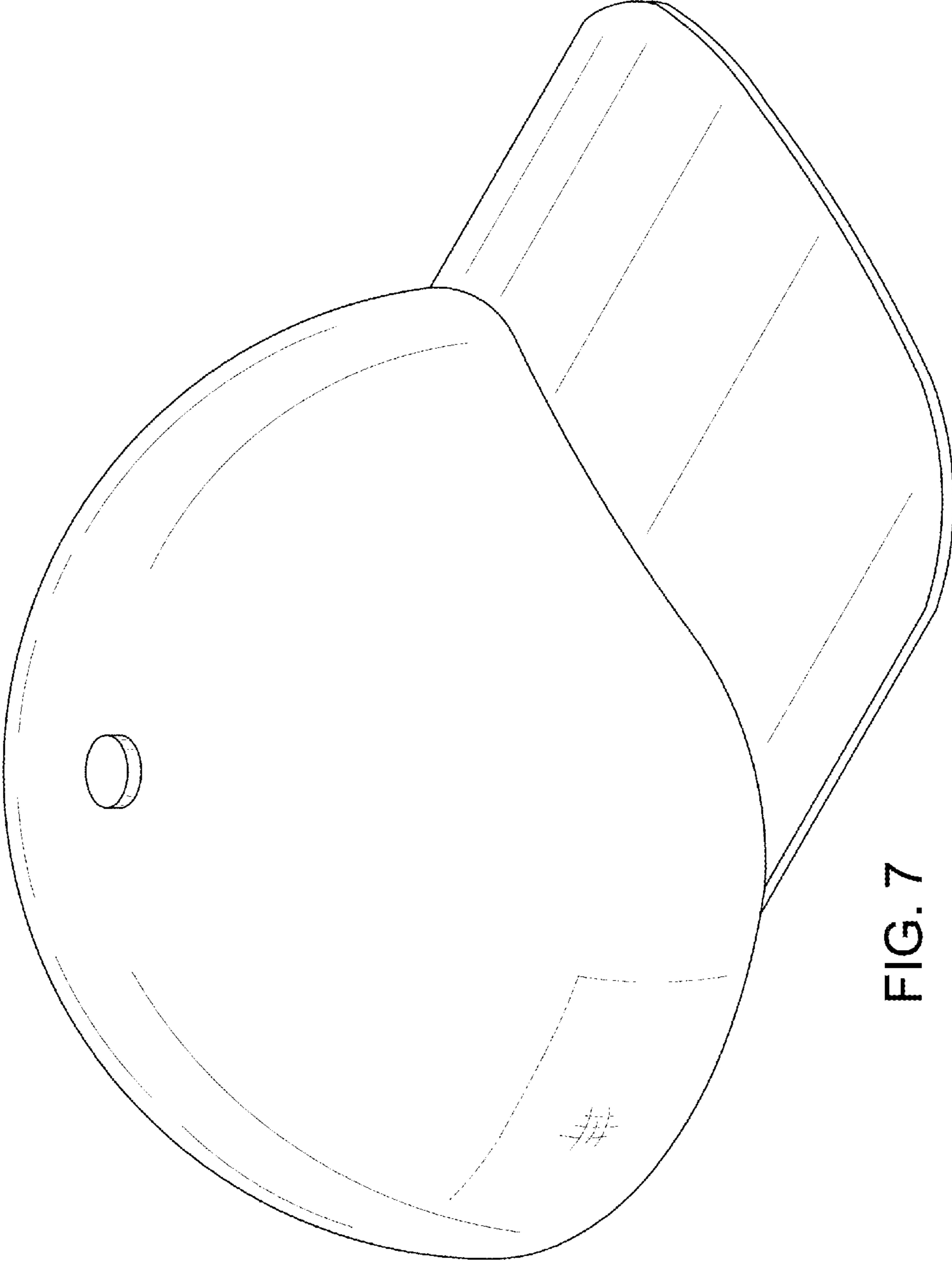


FIG. 7

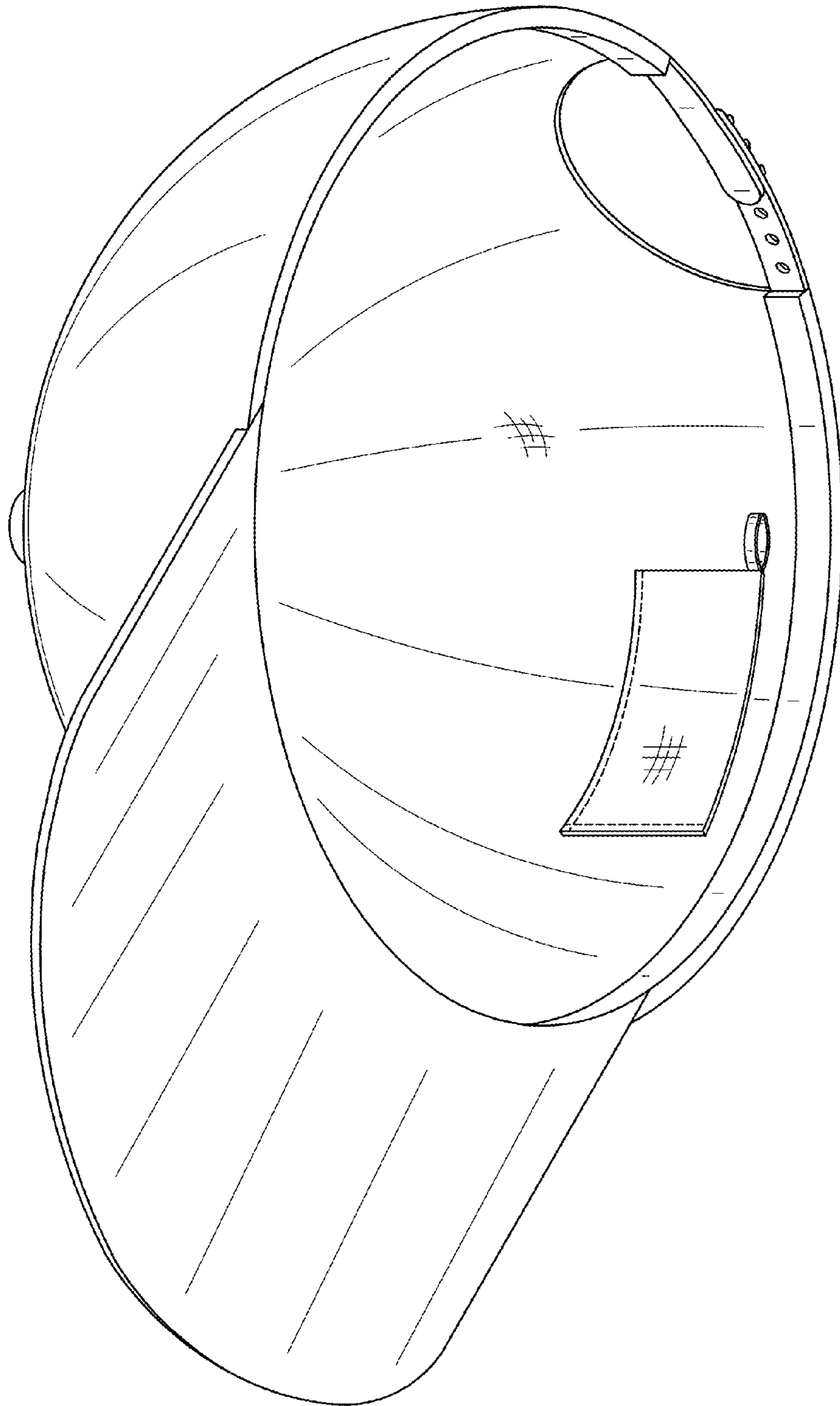


FIG. 8