



(12) **United States Design Patent**  
**Jadeja et al.**

(10) **Patent No.:** **US D920,440 S**  
(45) **Date of Patent:** **\*\* May 25, 2021**

(54) **CURVED BUTTON PANEL DISPLAY FOR AN ELECTRONIC GAMING MACHINE**

(71) Applicant: **Aristocrat Technologies Australia Pty Limited**, North Ryde (AU)

(72) Inventors: **Rajendrasinh B. Jadeja**, Las Vegas, NV (US); **Bruce Urban**, Las Vegas, NV (US)

(73) Assignee: **Aristocrat Technologies Australia Pty Limited**, North Ryde (AU)

(\*\*) Term: **15 Years**

(21) Appl. No.: **29/672,327**

(22) Filed: **Dec. 4, 2018**

(51) **LOC (13) Cl.** ..... **21-01**

(52) **U.S. Cl.**  
USPC ..... **D21/385**

(58) **Field of Classification Search**  
USPC ..... D14/125-129, 133, 217, 239, 356, 371, D14/374, 496; D21/324, 325, 329-333, D21/385; D26/118, 119, 120  
CPC .... G06F 1/1601; G06F 1/1603; G06F 1/1605; G06F 1/1626; G06F 1/1647; G06F 1/1652

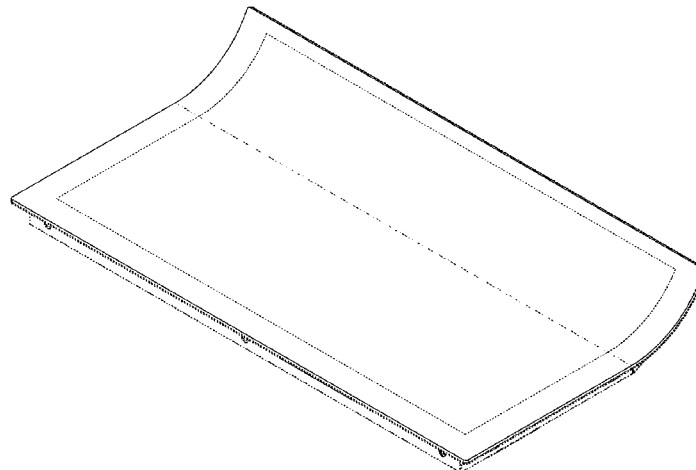
See application file for complete search history.

(56) **References Cited**

**U.S. PATENT DOCUMENTS**

D370,058 S 5/1996 Bostrom  
6,439,993 B1 8/2002 O'Halloran  
D481,078 S 10/2003 Stephan  
7,364,505 B2 4/2008 Mattice  
D572,314 S 7/2008 Vallejo  
7,396,282 B2 7/2008 Gauselmann  
D605,231 S 12/2009 Hashimoto  
7,985,139 B2 7/2011 Lind  
8,128,483 B2 3/2012 Vann  
D667,412 S 9/2012 Wang  
8,442,600 B1 5/2013 Tseng  
D697,558 S 1/2014 Myers  
D700,605 S 3/2014 Hong

D714,270 S 9/2014 Lee  
D714,875 S \* 10/2014 Wudtke ..... D21/385  
D719,116 S 12/2014 Bang  
D719,615 S \* 12/2014 Inoue ..... D21/370  
D719,616 S \* 12/2014 Inoue ..... D21/370  
8,951,121 B2 2/2015 Lyons et al.  
D727,431 S 4/2015 Themann  
D727,869 S 4/2015 Jarema, III  
D730,857 S 6/2015 Park  
D732,520 S 6/2015 Themann  
9,081,540 B1 \* 7/2015 Cho ..... G02F 1/133305  
D740,241 S 10/2015 Kim  
D744,990 S 12/2015 Lee  
D748,082 S 1/2016 Lee  
9,256,250 B2 2/2016 Raff  
9,367,095 B2 6/2016 Myers  
9,478,097 B2 10/2016 Hennessy et al.  
9,504,170 B2 11/2016 Rothkopf  
D778,365 S 2/2017 Kott  
9,614,168 B2 4/2017 Zhang  
10,203,433 B2 \* 2/2019 Yoon ..... H04M 1/0268  
D842,932 S \* 3/2019 Stair ..... D21/369  
D843,466 S 3/2019 Castro  
D843,477 S \* 3/2019 Lesley ..... D21/369  
D843,482 S \* 3/2019 Holland ..... D21/396  
D844,062 S \* 3/2019 Lesley ..... D21/369  
D846,650 S \* 4/2019 Stair ..... D21/369  
D847,109 S 4/2019 Kang  
10,303,218 B2 5/2019 Jones  
10,306,783 B2 5/2019 Seo  
D850,536 S 6/2019 Stair  
D858,641 S 9/2019 Legras  
D858,642 S 9/2019 Legras  
D862,295 S 10/2019 Kim  
D863,122 S 10/2019 Cha  
D865,066 S 10/2019 Ortiz De Viveiros  
D868,165 S 11/2019 Ortiz De Viveiros  
D870,818 S 12/2019 Curbbun  
D870,820 S 12/2019 Urban  
D871,506 S 12/2019 Castro  
D871,507 S 12/2019 Urban  
D873,273 S 1/2020 Guacho  
D882,696 S \* 4/2020 Lesley ..... D21/369  
D882,697 S \* 4/2020 Lesley ..... D21/369  
D882,699 S \* 4/2020 Bernard ..... D21/385  
D882,700 S \* 4/2020 Wudtke ..... D21/385  
D883,393 S \* 5/2020 Bernard ..... D21/385  
10,665,646 B2 5/2020 Yang  
D887,496 S \* 6/2020 Urban ..... D21/370  
D889,553 S 7/2020 Glenn, II  
D890,849 S 7/2020 Johnson  
D893,628 S 8/2020 Thoeni  
10,733,830 B2 8/2020 Jadeja



D898,128	S	10/2020	Urban	
D900,088	S	10/2020	Aughney	
10,839,639	B2	11/2020	Demarco	
D907,120	S	1/2021	Demarco	
2009/0143141	A1	6/2009	Wells	
2010/0062838	A1	3/2010	Nguyen	
2012/0004030	A1	1/2012	Kelly et al.	
2013/0154971	A1	6/2013	Kang	
2013/0217491	A1	8/2013	Hilbert et al.	
2013/0296057	A1	11/2013	Gagner	
2013/0331184	A1	12/2013	Kelly et al.	
2014/0035869	A1	2/2014	Yun Il-Kook	
2015/0168792	A1	6/2015	Woo	
2016/0048031	A1	2/2016	Gu	
2016/0055703	A1	2/2016	Woels	
2016/0062391	A1*	3/2016	Choi	H04M 1/0266 361/679.03
2016/0093143	A1	3/2016	Lamb	
2016/0187122	A1	6/2016	Krimon	
2016/0274719	A1	9/2016	Yang	
2016/0316541	A1	10/2016	Ka	
2016/0352878	A1	12/2016	Kim	
2016/0364941	A1	12/2016	Castro	
2017/0092052	A1	3/2017	McKay	
2017/0118849	A1	4/2017	Kim	
2017/0118850	A1	4/2017	Kwon	
2017/0153671	A1	6/2017	Yamazaki	
2017/0178444	A1	6/2017	Lee	
2017/0315589	A1	11/2017	Isa	
2018/0018907	A1	1/2018	Kim	
2018/0270975	A1	9/2018	Ishikawa	
2019/0066433	A1*	2/2019	Jadeja	G07F 17/3216
2019/0096169	A1	3/2019	Tovar	
2019/0102975	A1	4/2019	Lapalme	
2019/0150332	A1	5/2019	Son	
2019/0273217	A1	9/2019	Lee	
2019/0302849	A1*	10/2019	Lee	G06F 1/1652
2020/0042137	A1	2/2020	Kano	
2020/0133331	A1	4/2020	Ferris	

## OTHER PUBLICATIONS

Unpublished U.S. Appl. No. 291/673,950, filed Dec. 18, 2018, Inventor Jadeja.  
Office Action dated Nov. 1, 2019, for U.S. Appl. No. 16/209,900 (pp. 1-14).  
Office Action dated Jan. 10, 2020, for U.S. Appl. No. 16/224.661 (pp. 1-16).  
Notice of Allowance dated Apr. 22, 2020 for U.S. Appl. No. 16/209,900 (pp. 1-11).  
Notice of Allowance dated Apr. 20, 2020 for U.S. Appl. No. 16/224,661 (pp. 1-8).  
U.S. Office Action dated Apr. 30, 2020 for U.S. Appl. No. 29/673,951 (pp. 1-12).  
LG OLED displays to feature smartphone style curved edges?, (C) 2019 [online], [retrieved Apr. 16, 2020], Retrieved from internet, URL: <https://www.avforunns.com/news/lg-oled-displays-to-feature-smartphone-style-curved-edges.16774> (Year 2019).  
Oppo shows off 'waterfall screen' phone with ultra-curved edges, (C) 2019 [online], [retrieved Apr. 16, 2020], Retrieved from internet, URL: https://www.theverge.com/circuitbreaker/2019/7/29/8934593/oppo-waterfall-display-phone-curved-screen-announced> (Year : 2019).  
Office Action dated Oct. 28, 2020 for U.S. Appl. No. 29/672,326 (pp. 1-7).  
Office Action dated Oct. 28, 2020 for U.S. Appl. No. 29/672,329 (pp. 1-7).  
Aristocrat Helix, date not available, [retrieved Jan. 7, 2021], Retrieved from Internet, URL: <https://www.prosperitygaming.eu/aristocrat-1/aristocrat-helix> (Year: 2020).  
Corrected Notice of Allowability dated Jul. 1, 2020 for U.S. Appl. No. 16/209,900 (pp. 1-2).  
Helix slant slot cabinets—Aristocrat Technologies, May 22, 2014, [retrieved Jan. 7, 2021], Retrieved from Internet, URL: < https://

www.casinojournal.com/articles/88977-helix-slant-slot-cabinets-aristocrat-technologies> (Year: 2014).  
Helix X, date not available, [retrieved Jan. 7, 2021], Retrieved from Internet, URL: <https://www.aristocrat.com/anz/products-services/cabinets/#helix-x> (Year: 2020).  
Notice of Allowance dated Jan. 8, 2021 for U.S. Appl. No. 29/672,326 (pp. 1-5).  
Notice of Allowance dated Jan. 8, 2021 for U.S. Appl. No. 29/672,329 (pp. 1-5).  
Notice of Allowance dated Jun. 24, 2020 for U.S. Appl. No. 16/224,661 (pp. 1-5).  
Office Action dated Jan. 25, 2021 for U.S. Appl. No. 29/673,951 (pp. 1-9).  
Office Action dated Jul. 24, 2020 for U.S. Appl. No. 29/673,951 (pp. 1-9).  
Notice of Allowance dated Mar. 8, 2021 for U.S. Appl. No. 29/672,326 (pp. 1-6).  
Notice of Allowance dated Mar. 17, 2021 for U.S. Appl. No. 29/672,329 (pp. 1-6).  
Notice of Allowance dated Apr. 6, 2021 for U.S. Appl. No. 29/673,951 (pp. 1-8).

\* cited by examiner

*Primary Examiner* — George D. Kirschbaum  
*Assistant Examiner* — Joseph J Kukella  
(74) *Attorney, Agent, or Firm* — Weaver Austin Villeneuve & Sampson LLP

## (57) CLAIM

We claim the ornamental design for a curved button panel display for an electronic gaming machine, as shown and described.

## DESCRIPTION

This application is related to United States patent application Ser. No. 16/209,900, entitled "CURVED BUTTON DECK DISPLAY" and filed on Dec. 4, 2018, to United States patent application Ser. No. 29/672,326, entitled "CURVED BUTTON PANEL DISPLAY FOR AN ELECTRONIC GAMING MACHINE" and filed on Dec. 4, 2018, and to United States patent application Ser. No. 29/672,329, entitled "CURVED BUTTON PANEL DISPLAY FOR AN ELECTRONIC GAMING MACHINE" and filed on Dec. 4, 2018, all of which are hereby incorporated by reference and for all purposes.  
FIG. 1 is an isometric view of an example of a curved button panel display for an electronic gaming machine.  
FIG. 2 shows the curved button panel display for an electronic gaming machine of FIG. 1 with a tri-lobe button disclaimed, as indicated by the use of broken lines.  
FIG. 3 shows the curved button panel display for an electronic gaming machine of FIG. 1 with a round button disclaimed, as indicated by the use of broken lines.  
FIG. 4 is a top view of the curved button panel display for an electronic gaming machine of FIG. 1.  
FIG. 5 shows the curved button panel display for an electronic gaming machine of FIG. 4 with a tri-lobe button disclaimed, as indicated by the use of broken lines.  
FIG. 6 shows the curved button panel display for an electronic gaming machine of FIG. 4 with a round button disclaimed, as indicated by the use of broken lines.  
FIG. 7 is a front view of the curved button panel display for an electronic gaming machine of FIG. 1.

FIG. 8 shows the curved button panel display for an electronic gaming machine of FIG. 7 with a tri-lobe button disclaimed, as indicated by the use of broken lines.

FIG. 9 shows the curved button panel display for an electronic gaming machine of FIG. 7 with a round button disclaimed, as indicated by the use of broken lines.

FIG. 10 is a side view of the curved button panel display for an electronic gaming machine of FIG. 1.

FIG. 11 shows the curved button panel display for an electronic gaming machine of FIG. 10 with a tri-lobe button disclaimed, as indicated by the use of broken lines.

FIG. 12 shows the curved button panel display for an electronic gaming machine of FIG. 10 with a round button disclaimed, as indicated by the use of broken lines.

FIG. 13 is an opposing side view (as compared to FIG. 10) of the curved button panel display for an electronic gaming machine of FIG. 1.

FIG. 14 shows the curved button panel display for an electronic gaming machine of FIG. 13 with a tri-lobe button disclaimed, as indicated by the use of broken lines.

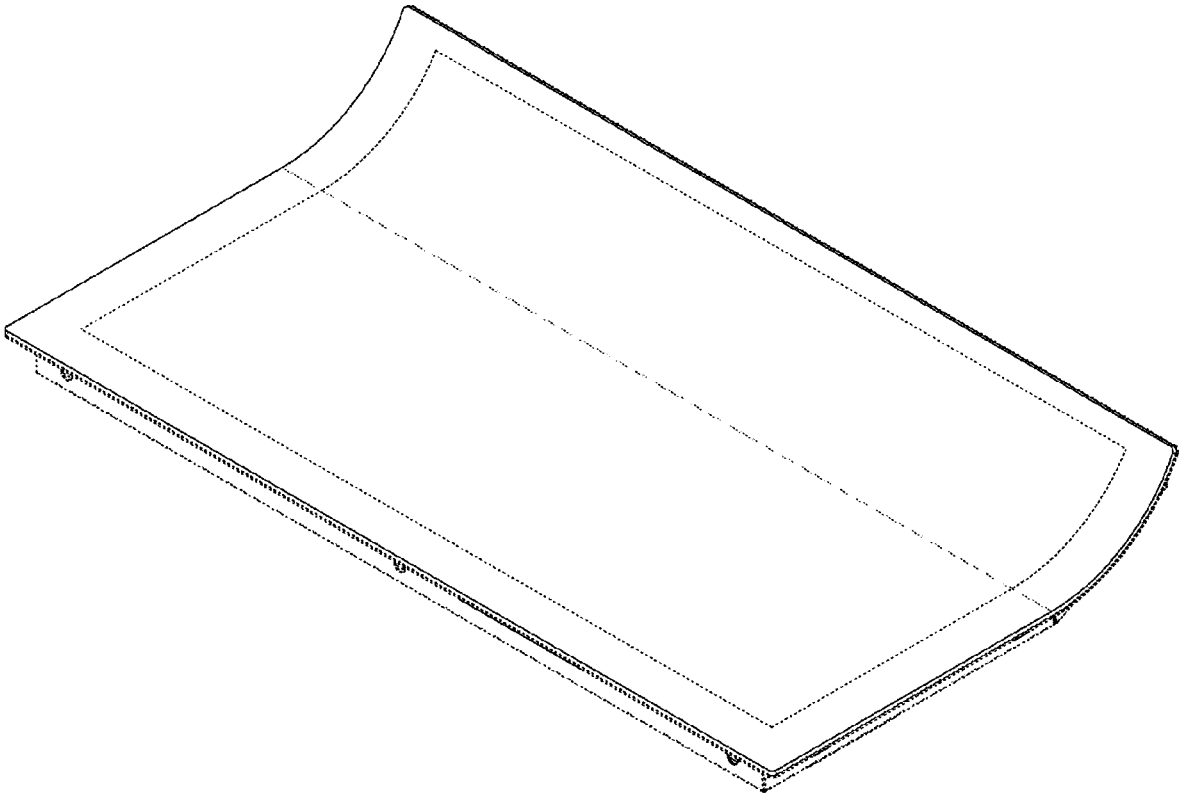
FIG. 15 shows the curved button panel display for an electronic gaming machine of FIG. 13 with a round button disclaimed, as indicated by the use of broken lines.

FIG. 16 is a rear view of the curved button panel display for an electronic gaming machine of FIG. 1 with details disclaimed, as indicated by the use of broken lines; and,

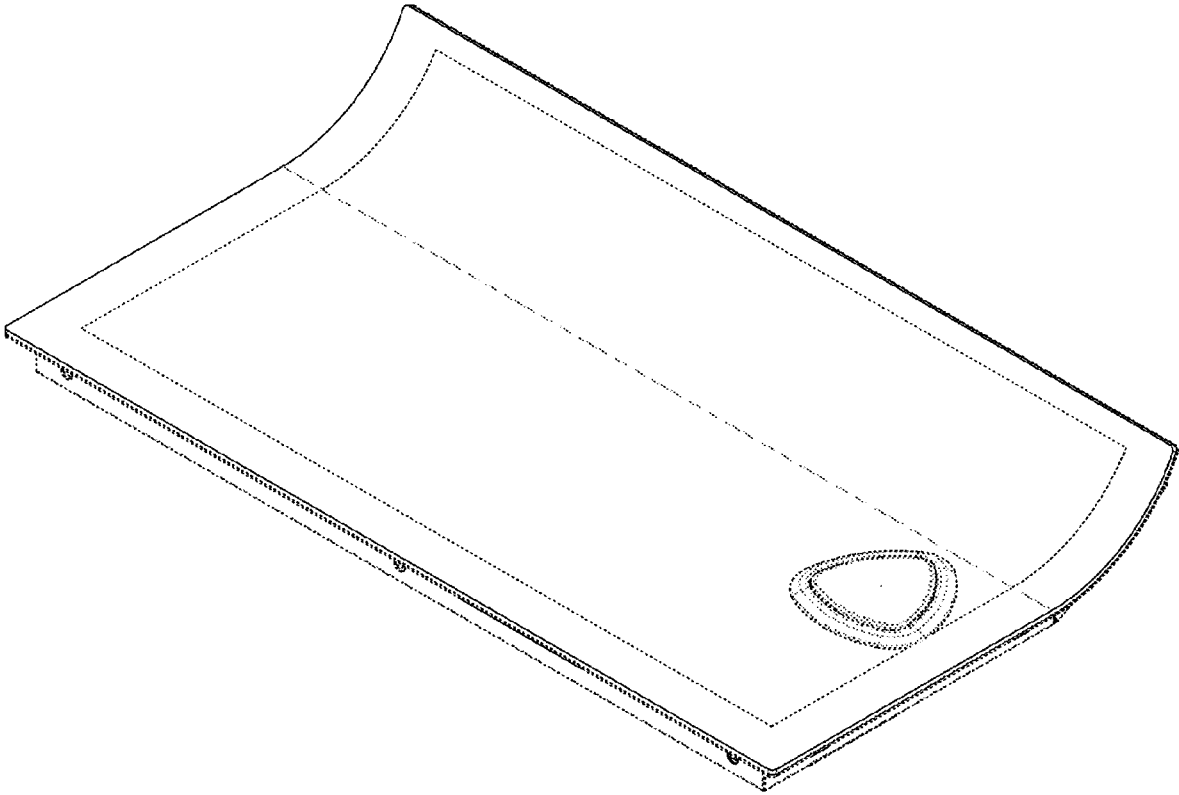
FIG. 17 is a bottom view of the curved button panel display for an electronic gaming machine of FIG. 1 with bottom-side details disclaimed, as indicated by the use of broken lines.

A curved button panel display for an electronic gaming machine is shown and described. Lines having a long dash followed by two shorter dashes indicate tangent edges. Other broken lines, e.g., dashed or dotted lines, are used to depict features or elements that are not considered to be part of the claimed design.

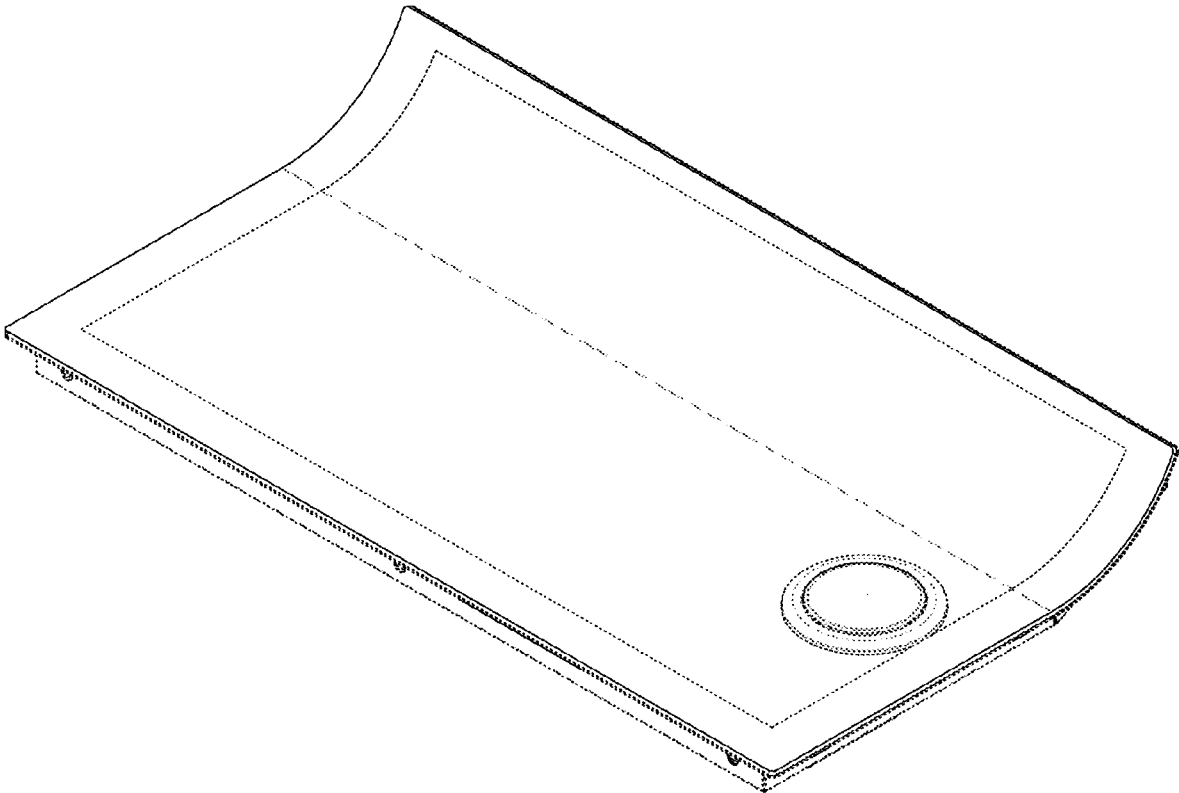
**1 Claim, 17 Drawing Sheets**



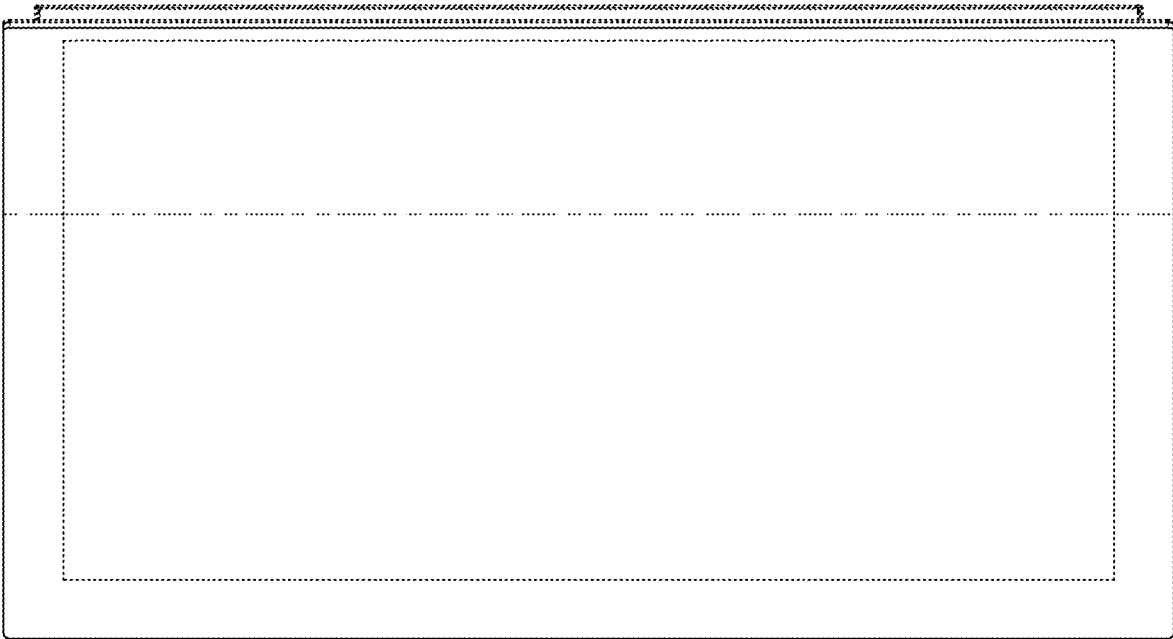
**FIGURE 1**



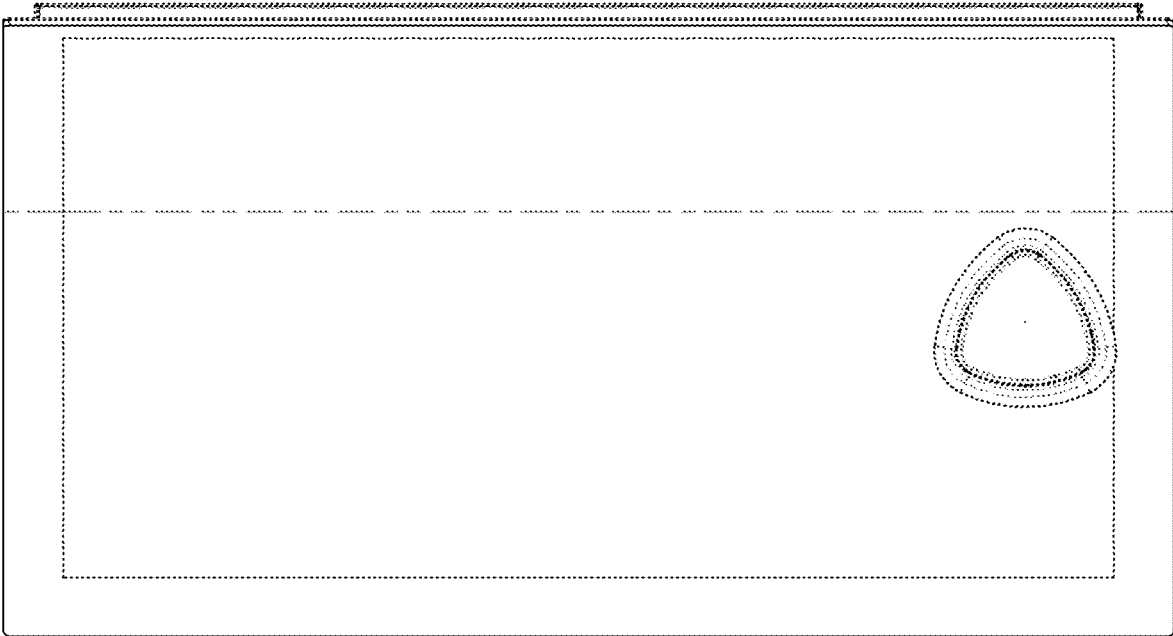
**FIGURE 2**



**FIGURE 3**

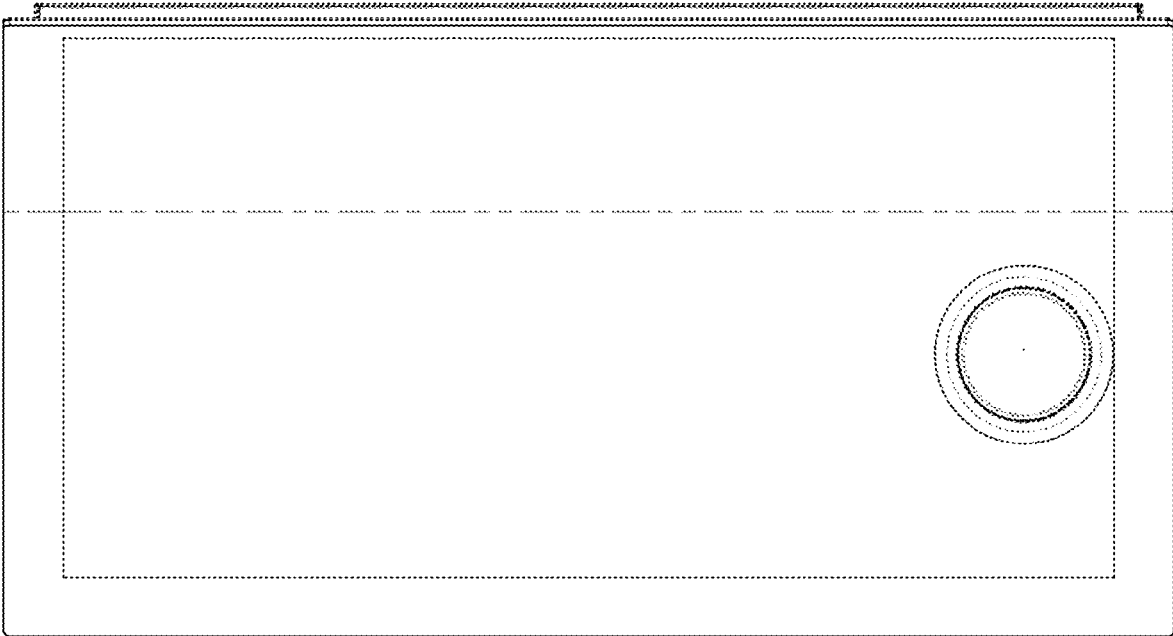


**FIGURE 4**

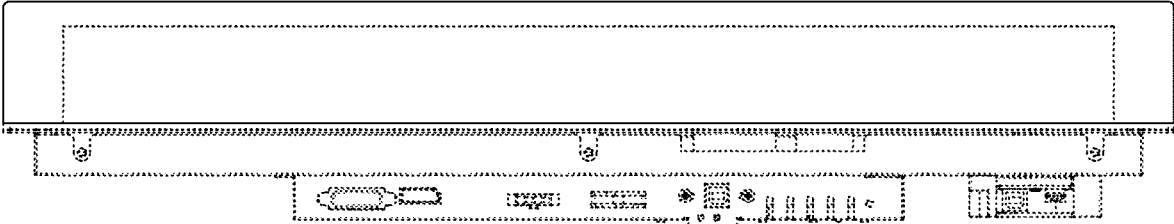


**FIGURE 5**

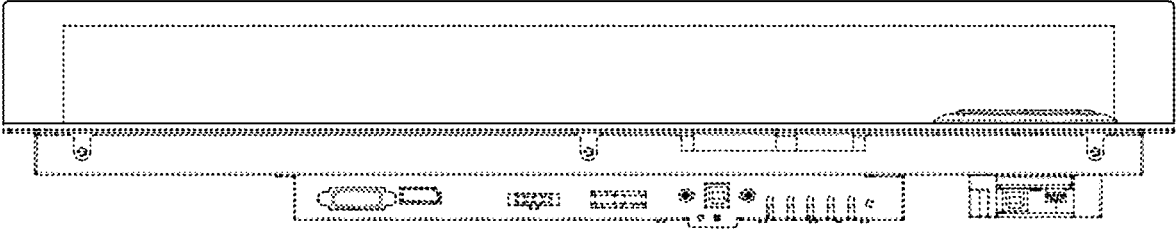




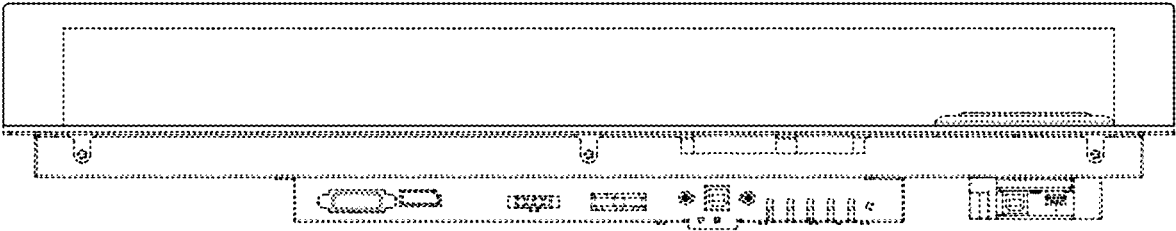
**FIGURE 6**



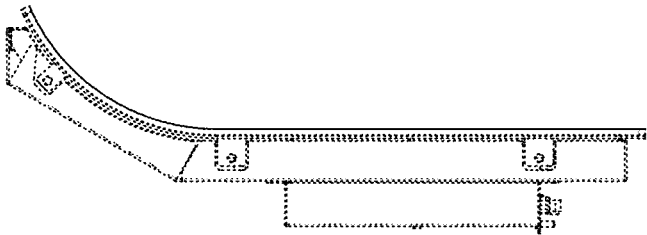
**FIGURE 7**



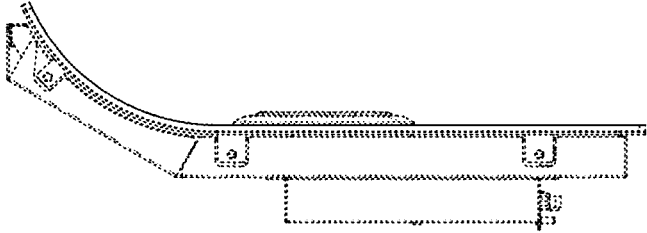
**FIGURE 8**



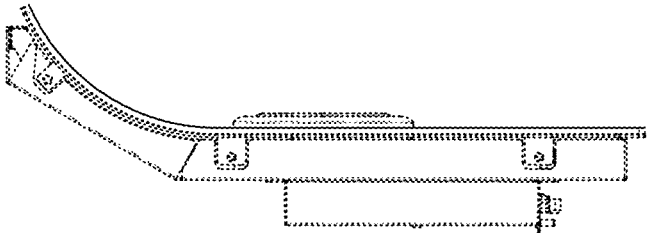
**FIGURE 9**



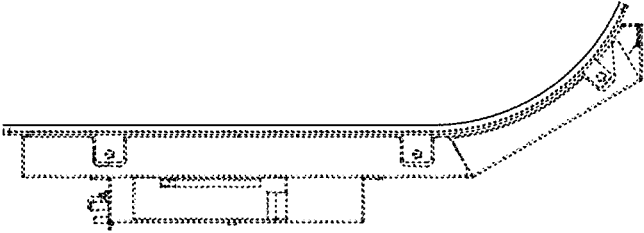
**FIGURE 10**



**FIGURE 11**

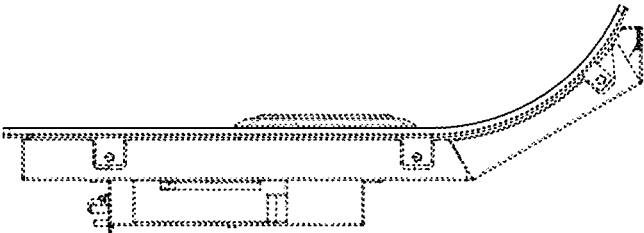


**FIGURE 12**

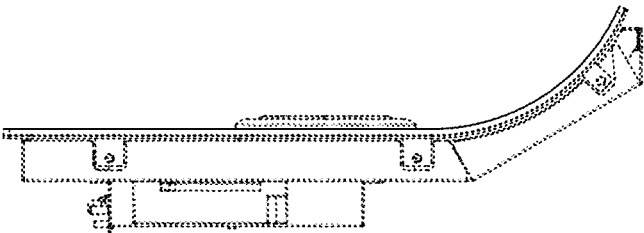


**FIGURE 13**

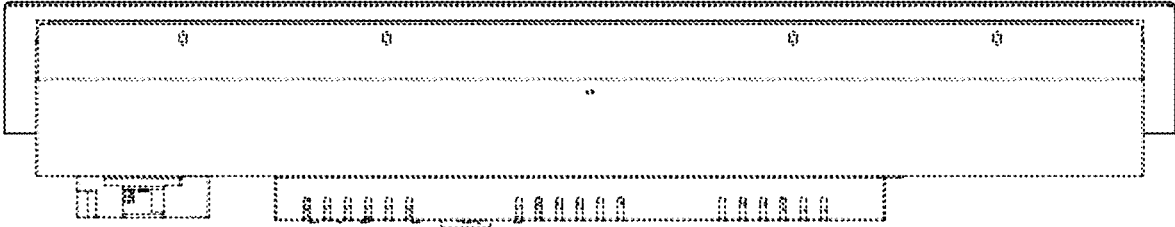




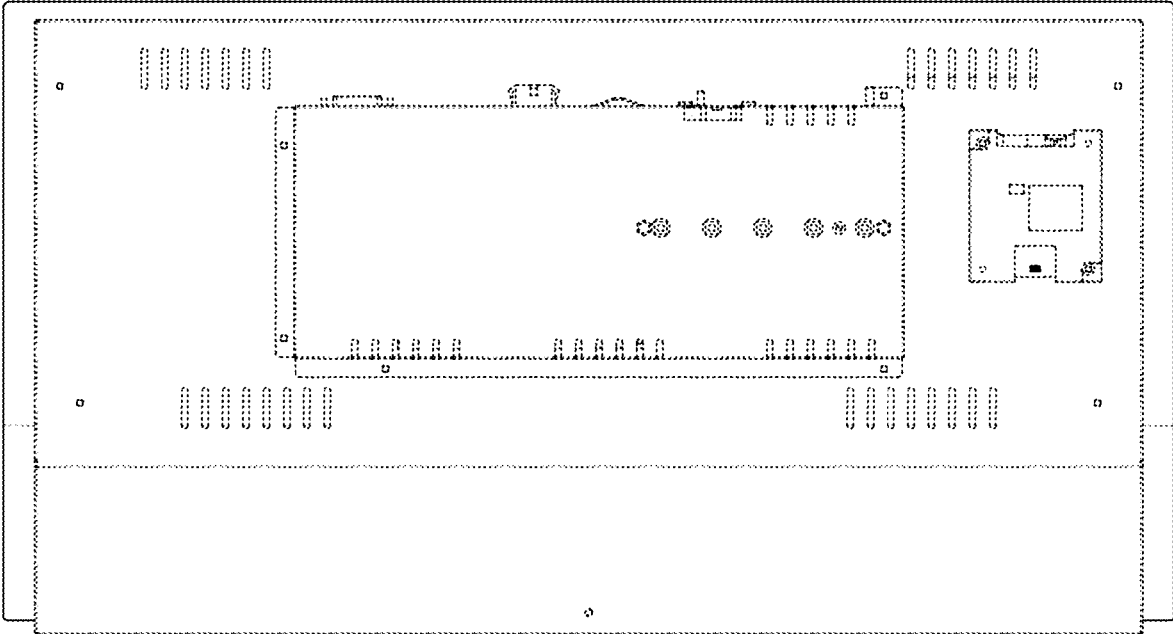
**FIGURE 14**



**FIGURE 15**



**FIGURE 16**



**FIGURE 17**