



US00D723495S

(12) **United States Design Patent**
Jeong

(10) **Patent No.:** **US D723,495 S**

(45) **Date of Patent:** **** Mar. 3, 2015**

(54) **MOBILE TERMINAL**

(71) Applicant: **Samsung Electronics Co., Ltd.**,
Suwon-si (KR)

(72) Inventor: **Jong-II Jeong**, Seoul (KR)

(73) Assignee: **Samsung Electronics Co., Ltd.**,
Suwon-si (KR)

(**) Term: **14 Years**

(21) Appl. No.: **29/464,859**

(22) Filed: **Aug. 21, 2013**

(30) **Foreign Application Priority Data**

Feb. 23, 2013 (KR) 30-2013-0009480

(51) **LOC (10) Cl.** **14-03**

(52) **U.S. Cl.**

USPC **D14/138 G**

(58) **Field of Classification Search**

CPC H04M 1/02; H04M 1/0202-1/035;
H04M 1/0235; H04M 1/0237; H04M 1/0239;
H04M 2250/22; H04M 1/03; H04M 1/23;
H04M 1/72519; G06F 1/1626

USPC D14/138 G, 138 AD, 138 R, 496, 203.1,
D14/203.3, 203.5, 203.7, 248, 218, 341,
D14/138 AC; 455/575.1, 556.1, 556.2,
455/575.3, 575.4, 566; D21/517, 329, 331;
379/433.01, 433.04; D13/168;
361/679.3, 679.56; D10/65, 78

See application file for complete search history.

(56) **References Cited**

U.S. PATENT DOCUMENTS

D581,894 S * 12/2008 Kim D14/138 G
D611,924 S * 3/2010 Ou et al. D14/138 AD
D635,541 S * 4/2011 Park et al. D14/138 G
D637,992 S * 5/2011 Tom et al. D14/138 G
D650,350 S * 12/2011 Wong D14/138 G
D650,766 S * 12/2011 Hong D14/138 G

(Continued)

OTHER PUBLICATIONS

Samsung I9295 Galaxy S4 Active telephone, announced Jun. 2013, [online], [site visited Sep. 25, 2014]. Available from Internet, <URL: http://www.gsmarena.com/samsung_i9295_galaxy_s4_active-5446.php>.*

(Continued)

Primary Examiner — Jeffrey D Asch

(74) *Attorney, Agent, or Firm* — NSIP Law

(57) **CLAIM**

The ornamental design for a mobile terminal, as shown and described.

DESCRIPTION

FIG. 1 is a front perspective view of a mobile terminal showing my new design;

FIG. 2 is a front view thereof;

FIG. 3 is a rear view thereof;

FIG. 4 is a left-side view thereof;

FIG. 5 is a right-side view thereof;

FIG. 6 is a top view thereof;

FIG. 7 is a bottom view thereof;

FIG. 8 is a rear perspective view thereof;

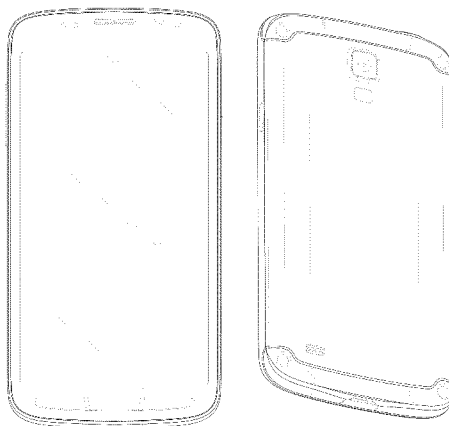
FIG. 9 is an enlarged view of the encircled portion A in FIG. 1; and,

FIG. 10 is an enlarged view of the encircled portion B in FIG. 7.

The broken lines shown in the figures that are immediately adjacent to the shaded areas and define unshaded regions, represent the bounds of the claim, while all other broken lines, including the five tiny circles at the top front near the speaker opening are directed to environment; the broken lines form no part of the claimed design.

The dot-dash broken lines encircling portions of the claimed design that are illustrated in enlargements form no part of the claimed design.

1 Claim, 8 Drawing Sheets



(56)

References Cited

U.S. PATENT DOCUMENTS

D651,186 S * 12/2011 Park et al. D14/138 G
 D651,187 S * 12/2011 Hwang D14/138 G
 D652,404 S * 1/2012 Okada et al. D14/138 G
 D656,917 S * 4/2012 Tom et al. D14/138 G
 D663,279 S * 7/2012 Kim et al. D14/138 G
 D668,627 S * 10/2012 Chung D14/138 G
 D671,086 S * 11/2012 Yu et al. D14/138 G
 D676,009 S * 2/2013 Hirota D14/138 AD
 D676,011 S * 2/2013 Park et al. D14/138 G
 D677,642 S * 3/2013 Park D14/138 G
 D677,643 S * 3/2013 Park D14/138 G
 D680,984 S * 4/2013 Harmon et al. D14/138 G
 D681,580 S * 5/2013 Park D14/138 G
 D686,180 S * 7/2013 Kim et al. D14/138 G
 D687,002 S * 7/2013 Song et al. D14/138 G
 D687,793 S * 8/2013 Park D14/138 G
 D688,643 S * 8/2013 Park D14/138 G
 D695,255 S * 12/2013 Kim D14/138 G
 D696,220 S * 12/2013 Seo et al. D14/138 G
 D699,206 S * 2/2014 Kim D14/138 G
 D702,219 S * 4/2014 Suk D14/248
 D705,187 S * 5/2014 Hwang et al. D14/138 G
 D711,339 S * 8/2014 Yang D14/138 G
 D712,864 S * 9/2014 Hirota D14/138 G
 2013/0036377 A1 * 2/2013 Colley 715/764
 2013/0303241 A1 * 11/2013 Coker et al. 455/566

OTHER PUBLICATIONS

Samsung Galaxy S5 Active telephone, announced May 2014, [online], [site visited Sep. 25, 2014]. Available from Internet, <URL: http://www.gsmarena.com/samsung_galaxy_s5_active-6356.php>.*
 Samsung Galaxy Core Advance telephone, announced Dec. 2013, [online], [site visited Sep. 25, 2014]. Available from Internet, <URL: http://www.gsmarena.com/samsung_galaxy_core_advance-5904.php>.*
 Samsung Galaxy S4 Active LTE-A telephone, announced Dec. 2013, [online], [site visited Sep. 25, 2014]. Available from Internet, <URL: http://www.gsmarena.com/samsung_galaxy_s4_active_lte_a-5889.php>.*
 Samsung Galaxy S5 Sport telephone, announced Jun. 2014, [online], [site visited Sep. 25, 2014]. Available from Internet, <URL: http://www.gsmarena.com/samsung_galaxy_s5_sport-6460.php>.*
 ZTE Bingo telephone, announced Feb. 2010, [online], [site visited Sep. 25, 2014]. Available from Internet, <URL: http://www.gsmarena.com/zte_bingo-3197.php>.*
 Kyocera Hydro Life telephone, announced Aug. 2014, [online], [site visited Sep. 25, 2014]. Available from Internet, <URL: http://www.gsmarena.com/kyocera_hydro_life-6598.php>.*
 Samsung S8600 Wave 3 telephone, announced Aug. 2011, [online], [site visited Sep. 25, 2014]. Available from Internet, <URL: http://www.gsmarena.com/samsung_s8600_wave_3-4126.php>.*

* cited by examiner

FIG. 1

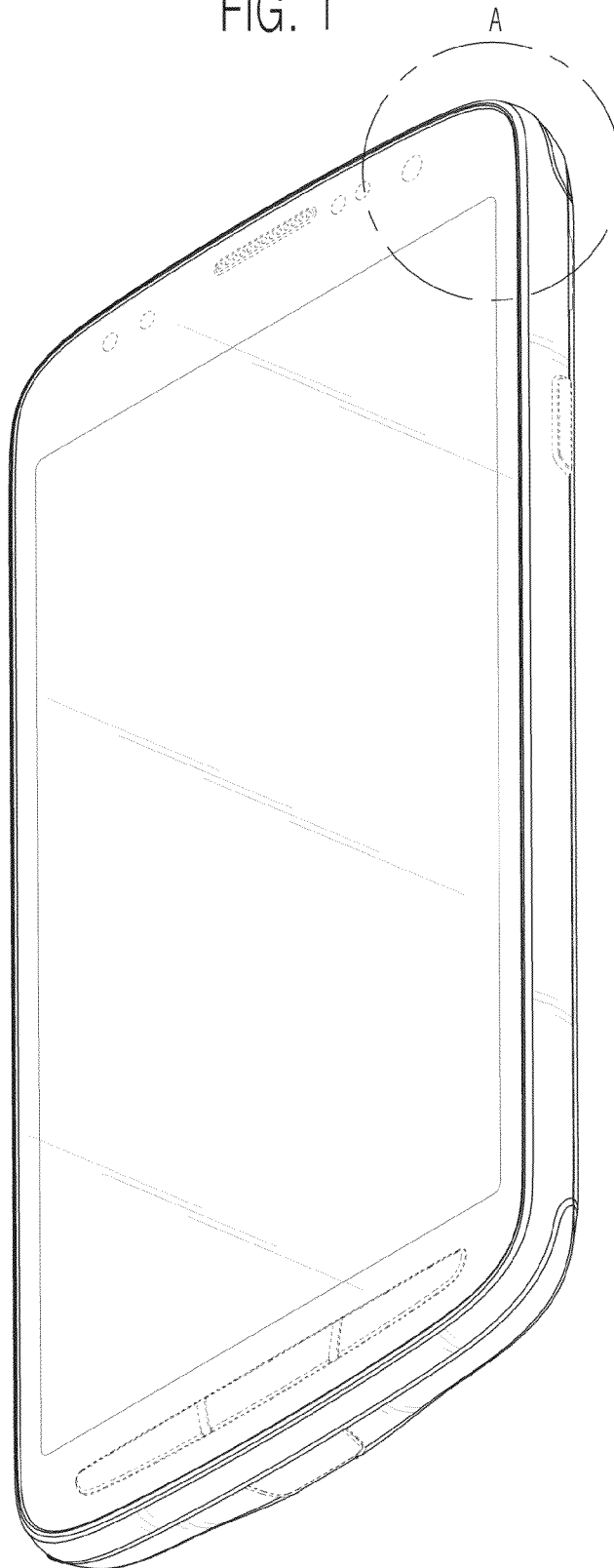


FIG. 2

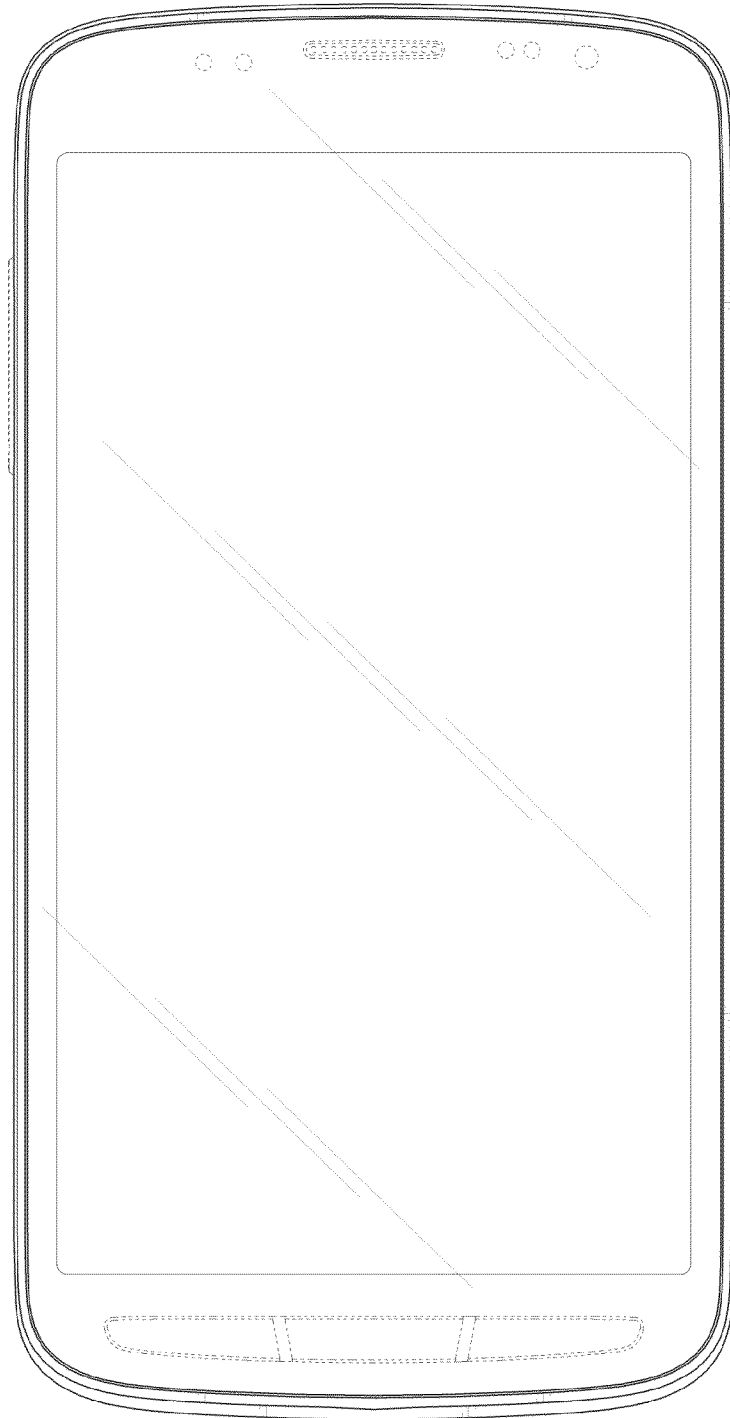


FIG. 3

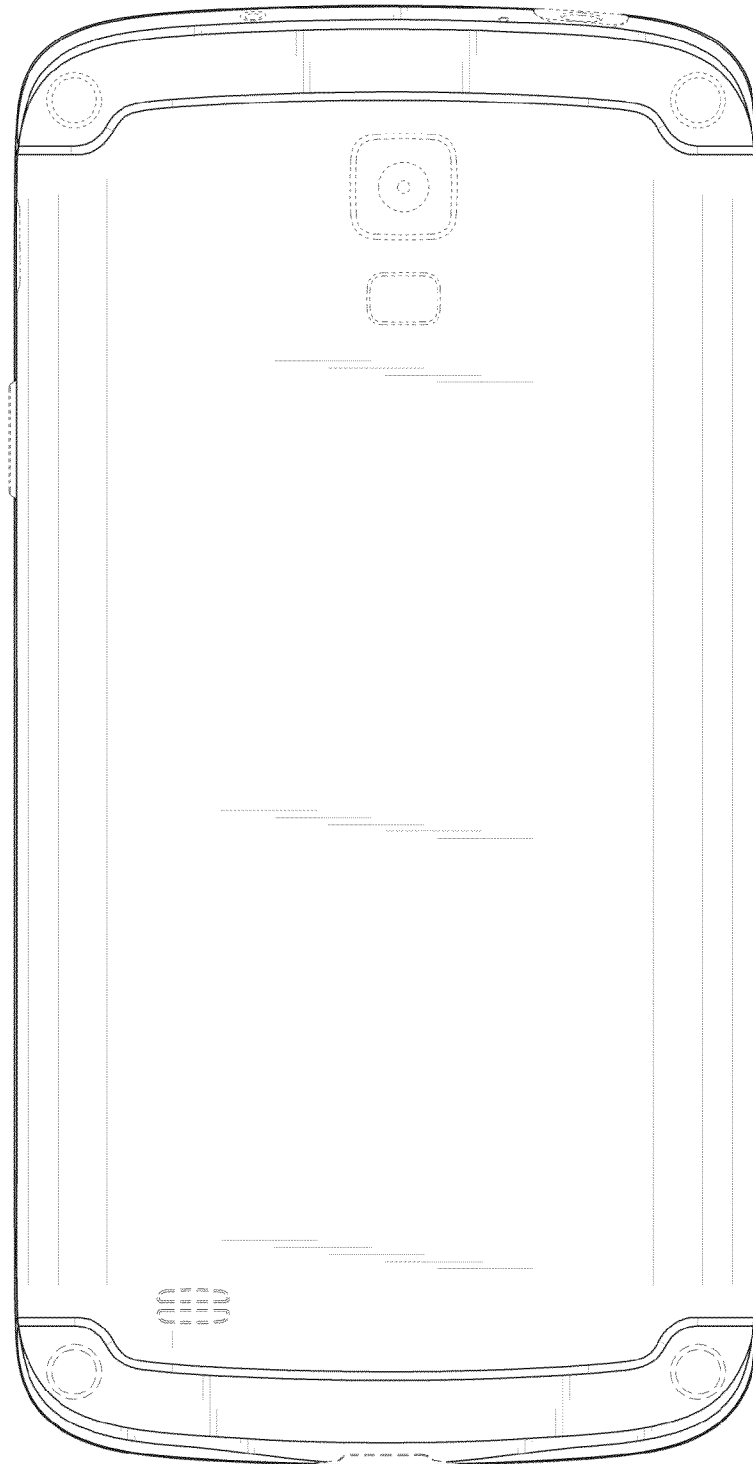


FIG. 4

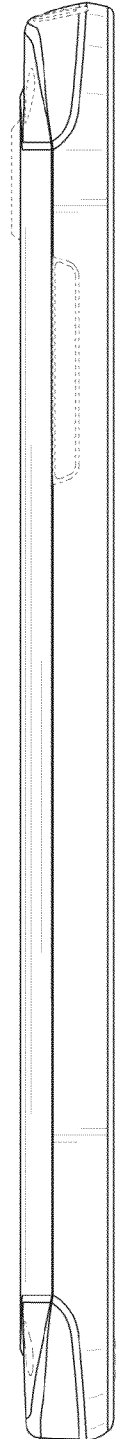


FIG. 5

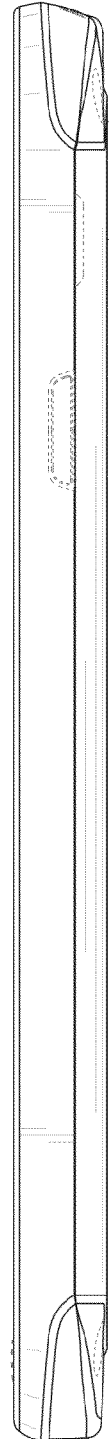


FIG. 6

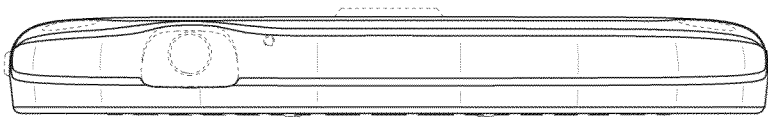


FIG. 7

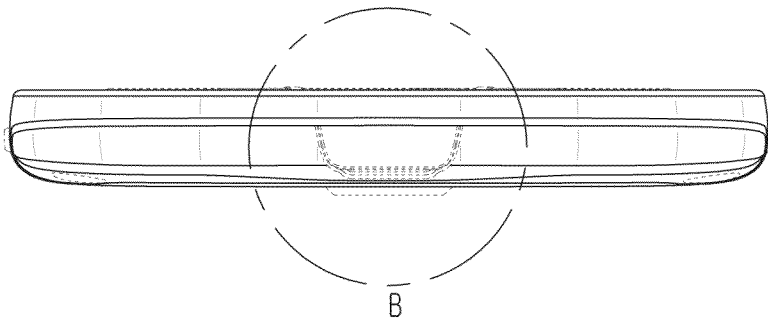


FIG. 8

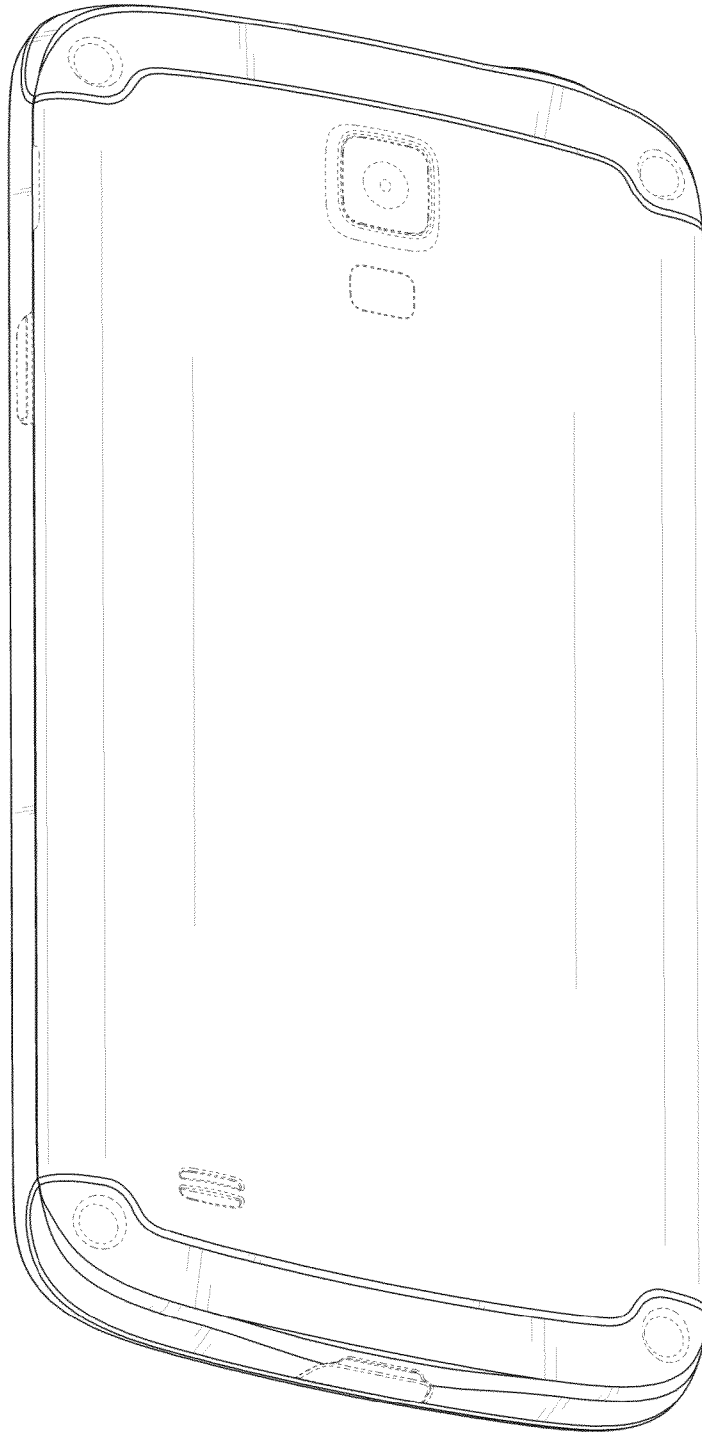


FIG. 9

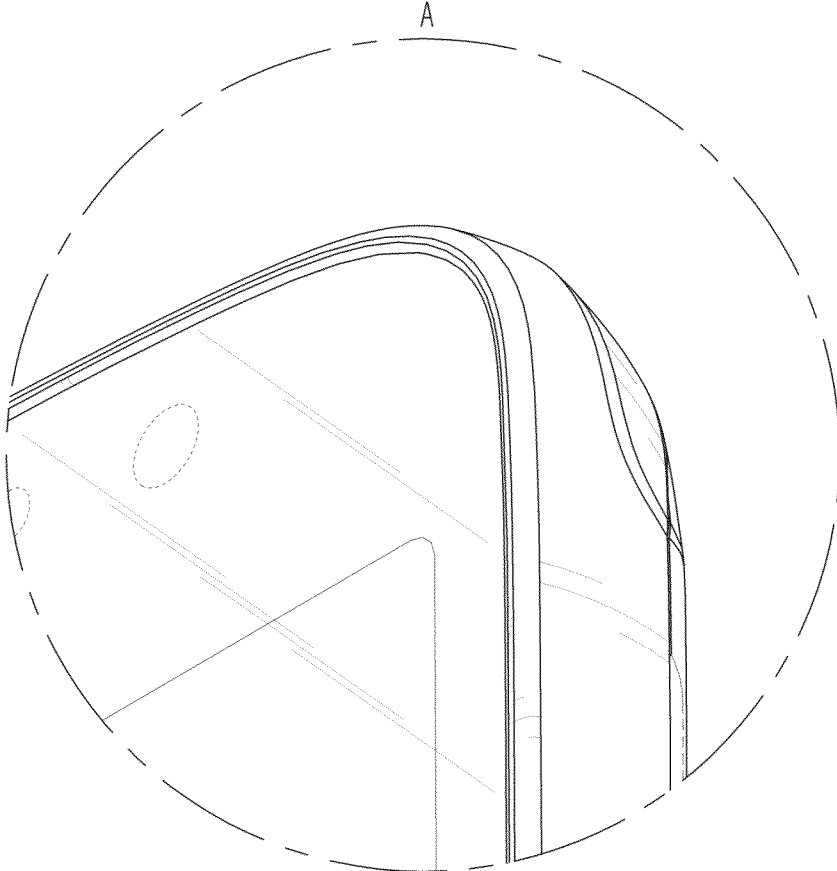


FIG. 10

