



US00D804741S

(12) **United States Design Patent**
Park

(10) **Patent No.:** **US D804,741 S**

(45) **Date of Patent:** **** Dec. 5, 2017**

- (54) **DOG CHEW**
- (71) Applicant: **Shin Park**, Yongin-si (KR)
- (72) Inventor: **Shin Park**, Yongin-si (KR)
- (**) Term: **15 Years**
- (21) Appl. No.: **29/585,694**
- (22) Filed: **Nov. 28, 2016**
- (51) **LOC (10) Cl.** **30-99**
- (52) **U.S. Cl.**
USPC **D30/160**
- (58) **Field of Classification Search**
USPC D30/160; D19/69, 119-120, 124-125;
D1/99, 102, 115, 125, 126-128, 199;
D17/99; D12/207; D15/28, 29, 139;
119/15.01, 702, 707, 709, 710, 727, 741,
119/801, 868; D22/108; D11/9, 14, 33,
D11/36, 39-40, 63, 67, 84, 115, 139, 143,
D11/151, 225, 227, 241; D21/415, 438,
D21/473, 486-488, 547, 563, 576;
D6/600
CPC A01K 29/00; A01K 1/001; A01K 15/00;
A01K 15/02; A01K 15/025; A01K 15/026
See application file for complete search history.

D437,101 S *	2/2001	Debbouz	D1/126
D445,322 S *	7/2001	Hames	D8/38
D458,438 S *	6/2002	Volk, III	D2/869
D492,581 S *	7/2004	Fahy	D8/378
D493,947 S *	8/2004	Carmody	D2/869
D500,577 S *	1/2005	Hare	426/104
D507,691 S *	7/2005	Leiweke	D1/121
D633,277 S *	3/2011	Freije	D1/199
D636,205 S *	4/2011	Chou	D6/580
D649,740 S *	12/2011	Bredin	D1/125
D687,101 S *	7/2013	Sternberg	D19/69
D771,898 S *	11/2016	Albuja	D1/125
D789,650 S *	6/2017	Hansen	D1/125
2011/0232581 A1*	9/2011	Gick	A01K 15/026 119/707

* cited by examiner

Primary Examiner — Mary Ann Calabrese
Assistant Examiner — Mehri Bajoul
(74) *Attorney, Agent, or Firm* — Novick, Kim & Lee, PLLC; Jae Youn Kim

(57) **CLAIM**

I claim the ornamental design for a dog chew, as shown and described.

DESCRIPTION

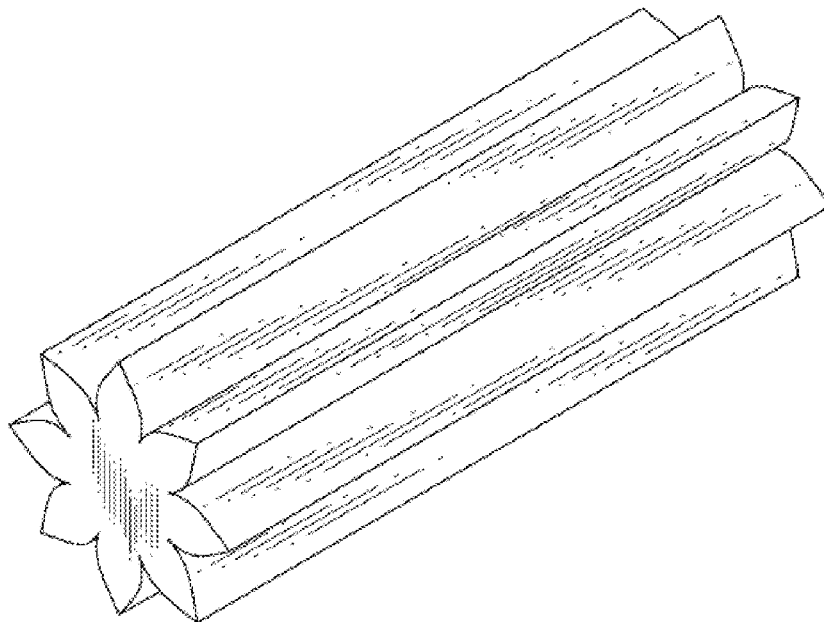
FIG. 1 is a perspective view of a dog chew, showing my new design;
FIG. 2 is a front elevational view thereof;
FIG. 3 is a rear elevational view thereof;
FIG. 4 is a left side elevational view thereof;
FIG. 5 is a right side elevational view thereof;
FIG. 6 is a top plan view thereof; and,
FIG. 7 is a bottom plan view thereof.

1 Claim, 5 Drawing Sheets

(56) **References Cited**

U.S. PATENT DOCUMENTS

3,344,457 A *	10/1967	Grobert	A46D 1/00 15/159.1
D225,553 S *	12/1972	Moore	D15/29
D340,942 S *	11/1993	Smith	D15/29
D367,897 S *	3/1996	Schmidt	D21/486
D427,669 S *	7/2000	Ruuska	D23/266



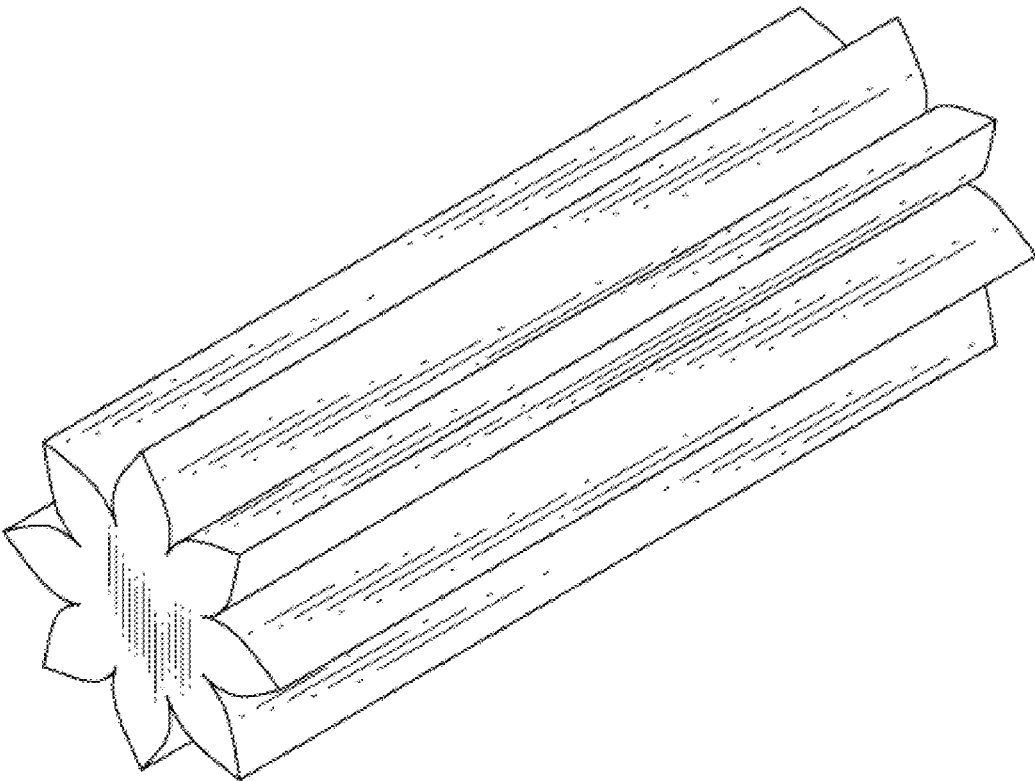


FIG. 1

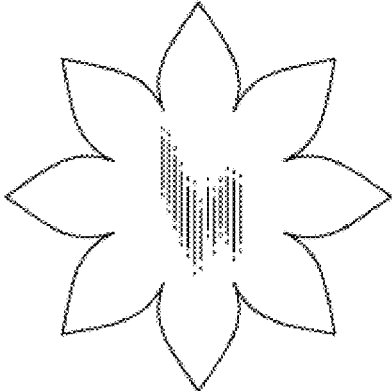


FIG. 2

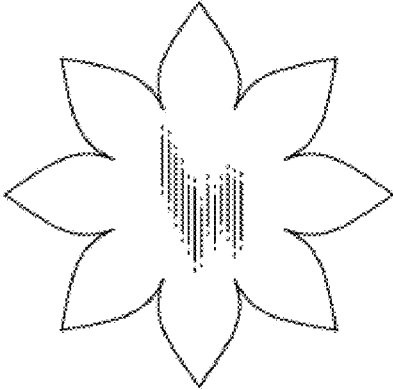


FIG. 3

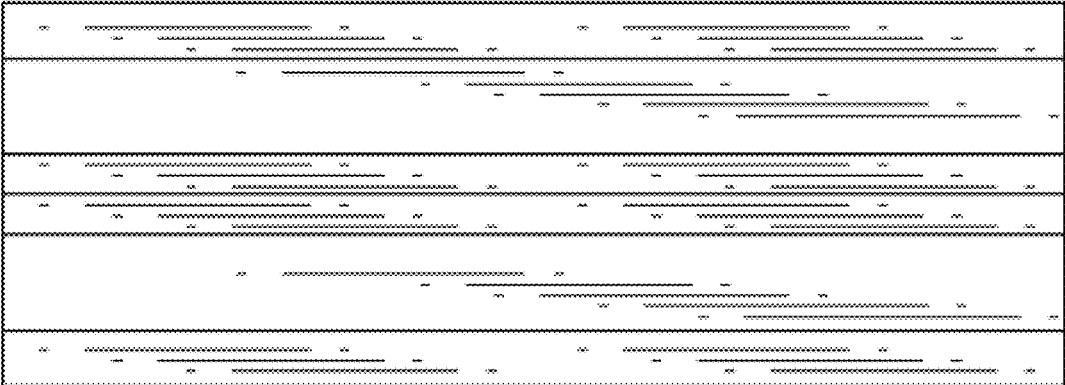


FIG. 4

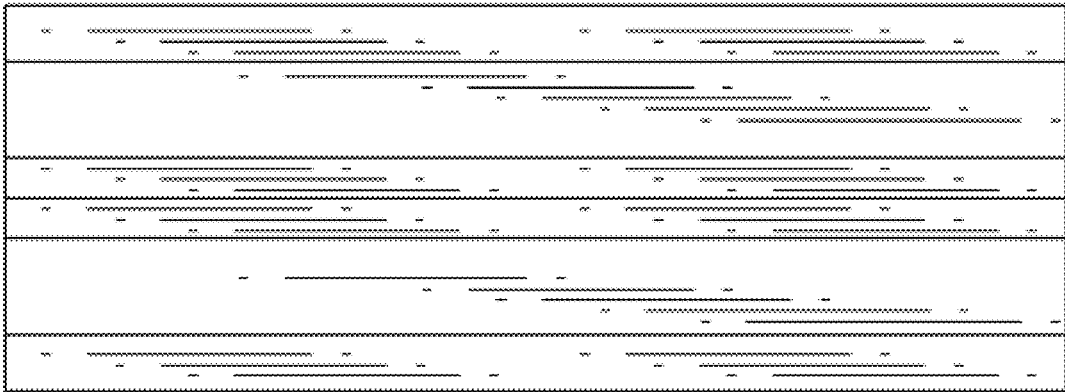


FIG. 5

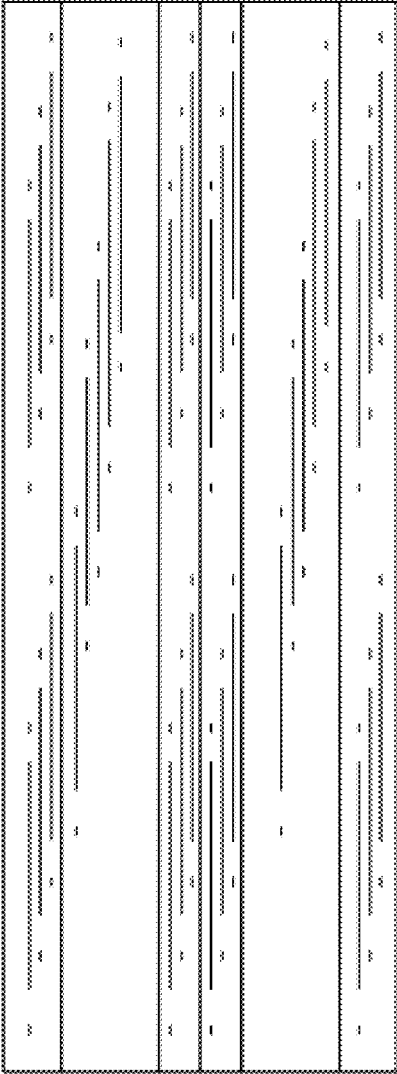


FIG. 6

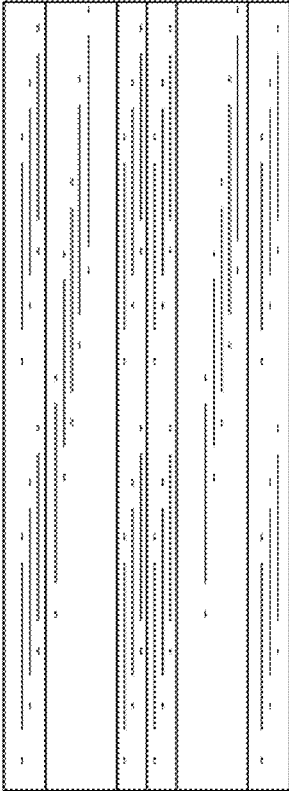


FIG. 7