



US00D423772S

United States Patent [19]
Cooper et al.

[11] **Patent Number: Des. 423,772**
[45] **Date of Patent: ** May 2, 2000**

[54] **HINGED CONTAINER**

[75] Inventors: **Martin R. Cooper**, Cincinnati, Ohio;
William K. Akata, Nanuet, N.Y.

[73] Assignee: **Cooper Designs, Ltd.**, Cincinnati, Ohio

[**] Term: **14 Years**

[21] Appl. No.: **29/103,266**

[22] Filed: **Apr. 12, 1999**

[51] **LOC (7) Cl.** **03-01**

[52] **U.S. Cl.** **D3/218; D3/201; D3/215**

[58] **Field of Search** **D3/201, 215, 218;**
220/4.23, 4.24; D9/424

[56] **References Cited**

U.S. PATENT DOCUMENTS

D. 287,336	12/1986	Roehrig	D9/424 X
D. 355,657	2/1995	Scheid et al.	D3/218
D. 401,763	12/1998	Wolff	D9/424 X
1,268,064	5/1918	Johnson	220/4.24
2,687,157	8/1954	Cowan	220/4.23
4,615,464	10/1986	Byrns	220/4.23
5,505,328	4/1996	Stribiak	220/4.24 X

Primary Examiner—Loius S. Zarfes
Assistant Examiner—Monica A. Weingart
Attorney, Agent, or Firm—Dinsmore & Shohl LLP

[57] **CLAIM**

The ornamental design for a hinged container, as shown and described.

DESCRIPTION

FIG. 1 is a top perspective view of a hinged container showing our new design;

FIG. 2 is a top perspective view of the container of FIG. 1, shown in opened condition;

FIG. 3 is a top plan view thereof;

FIG. 4 is a front elevational view thereof;

FIG. 5 is a bottom plan view thereof;

FIG. 6 is a left end elevational view thereof;

FIG. 7 is a right end elevational view thereof;

FIG. 8 is a rear elevational view thereof;

FIG. 9 is a top plan view of another alternate embodiment of a hinged container embodying our new design, illustrating a top portion having either an embossed or debossed central portion and an attachment ring at an opposite end (the attachment ring can be at either or both ends as desired);

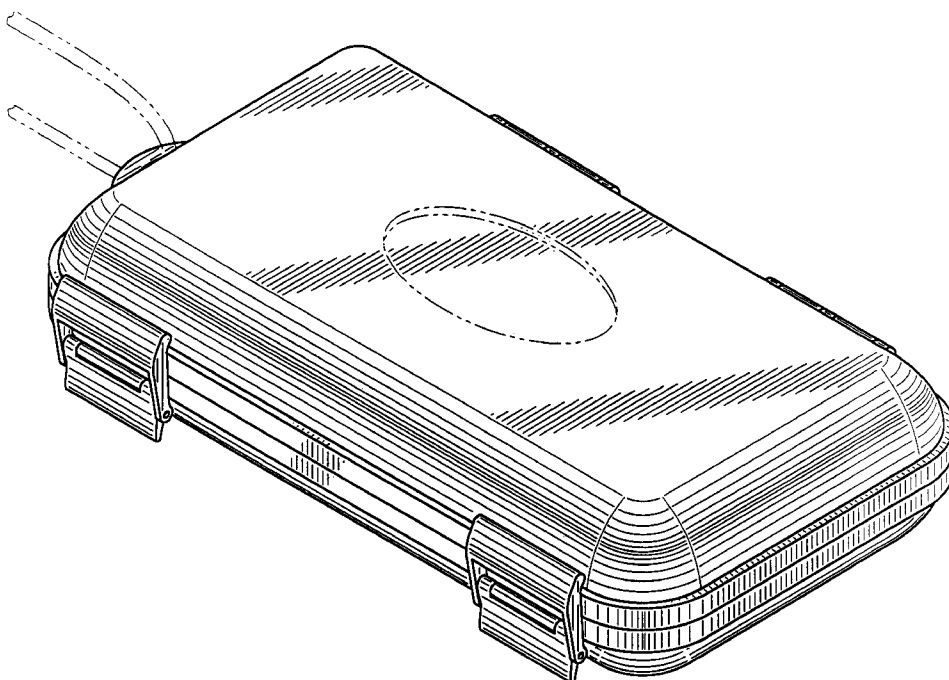
FIG. 10 is a front elevational view of the embodiment of FIG. 9, illustrating the debossed central portion of the top surface;

FIG. 11 is a rear elevational view of yet another embodiment of a hinged container embodying our new design, showing a modified hinge device; and,

FIG. 12 is a top plan view of an embodiment of the present invention similar to that shown in FIG. 1, illustrated with optional transparent walls.

The broken line showing of a circular indentation on top of FIG. 1 and 14, and an attached cord in FIGS. 1-5, 8, 10-12, and 14, is for illustrative purposes only and forms no part of the claimed design.

1 Claim, 6 Drawing Sheets



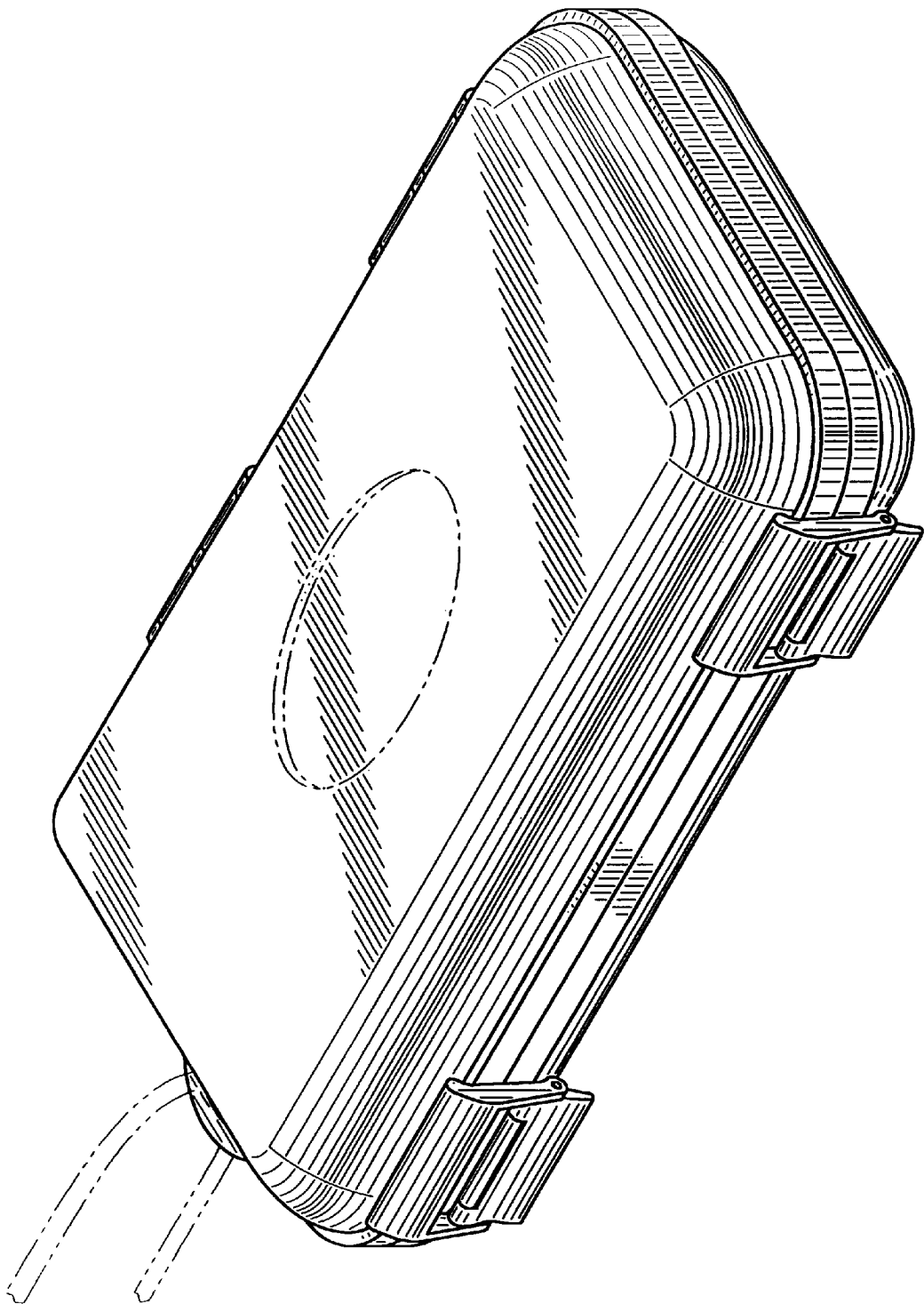


FIG. 1

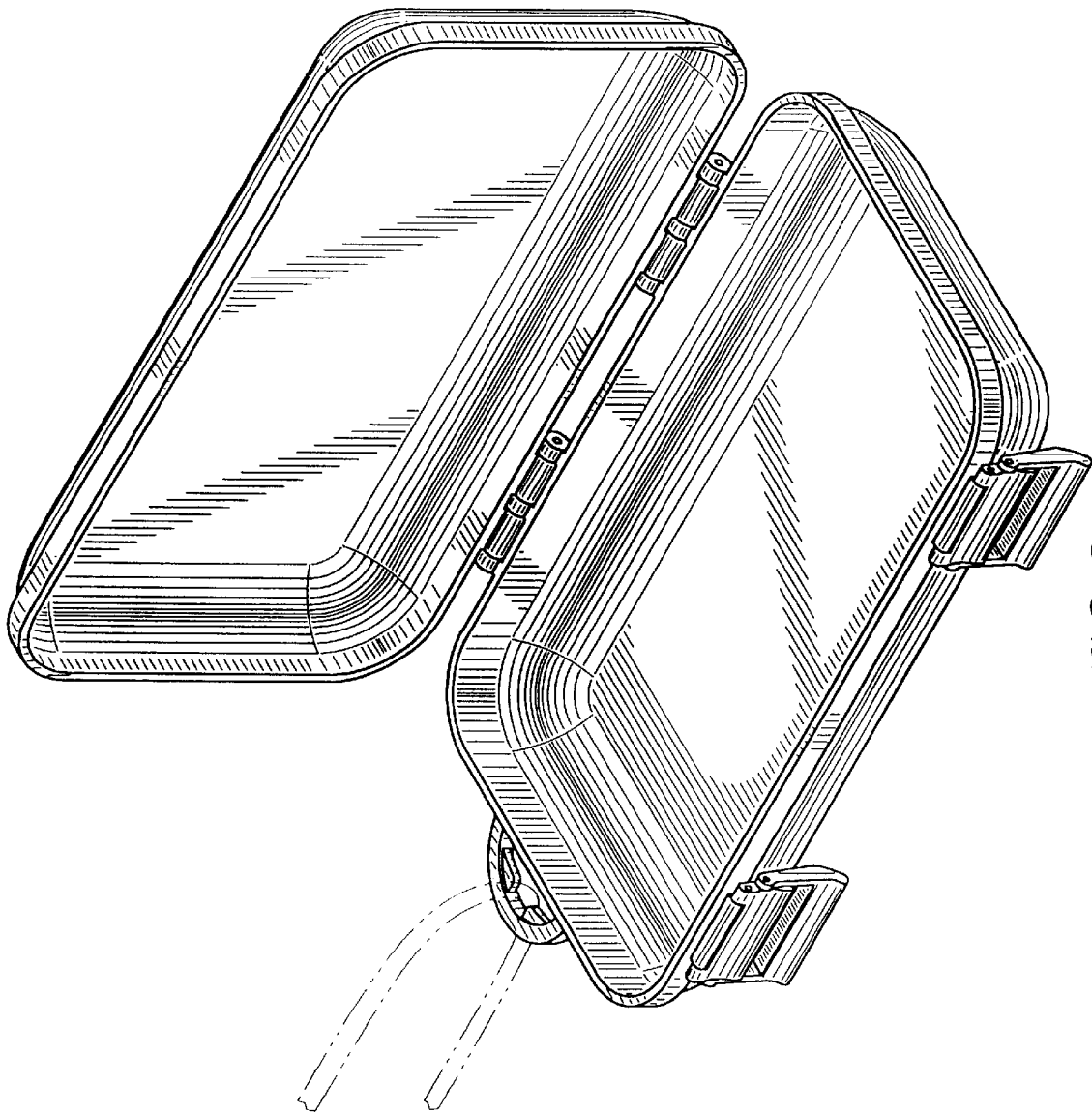


FIG. 2

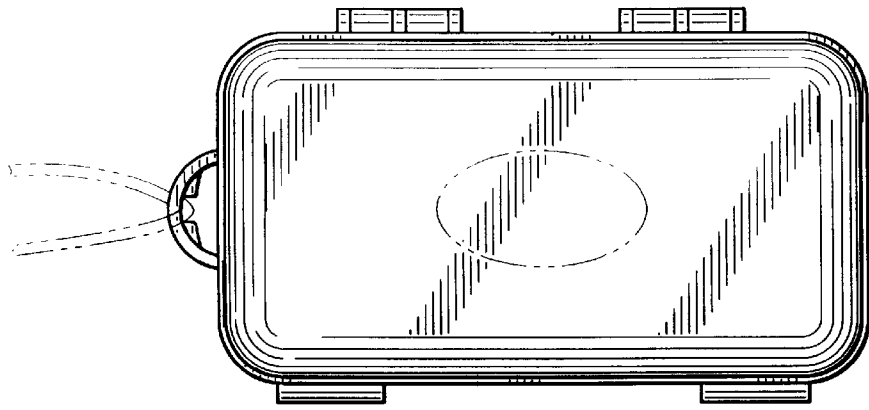


FIG. 3

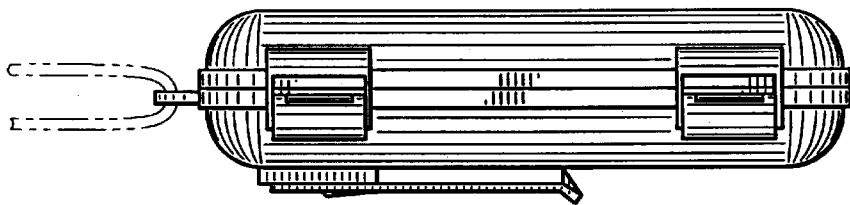


FIG. 4

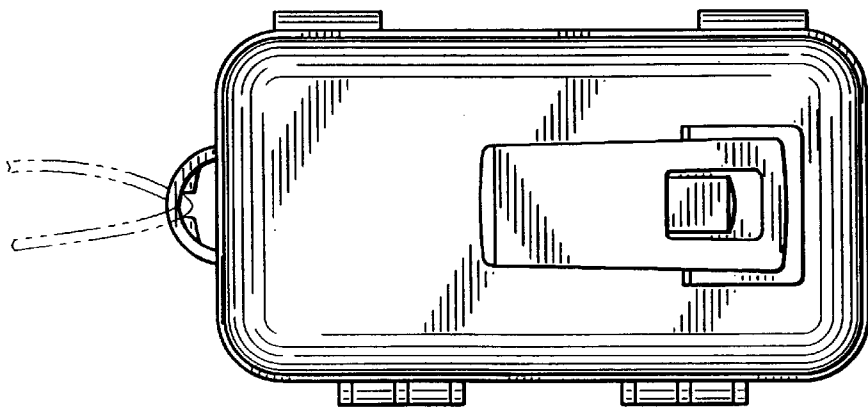


FIG. 5

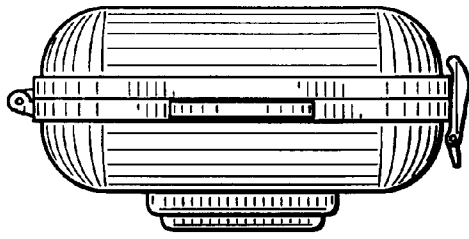


FIG. 6

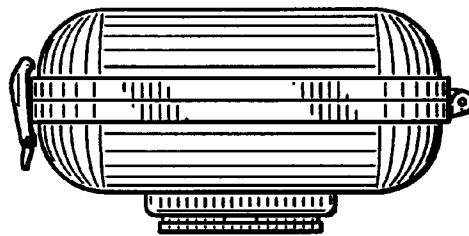


FIG. 7

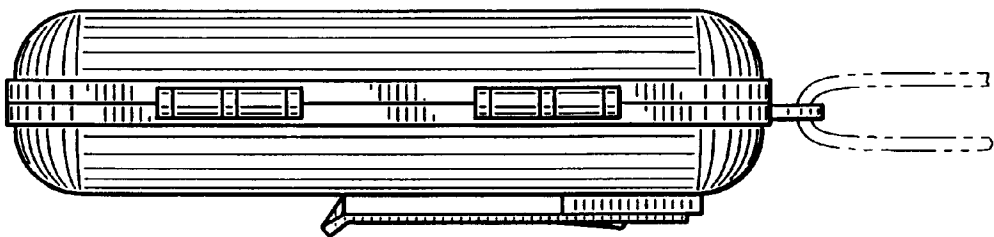


FIG. 8

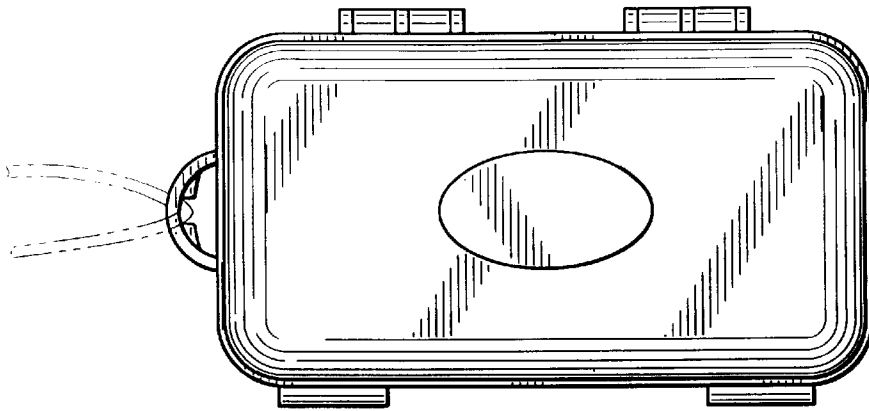


FIG. 9

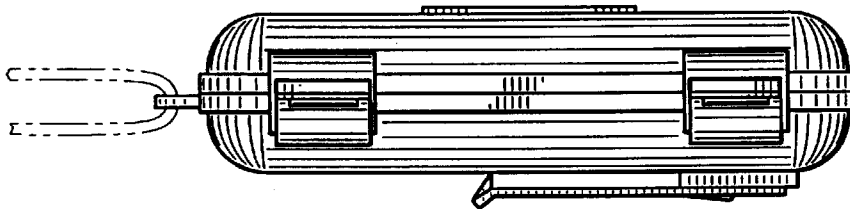


FIG. 10

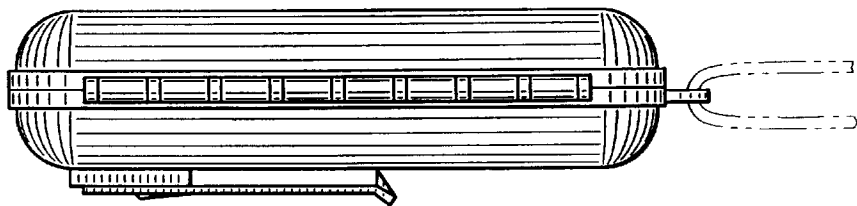


FIG. 11

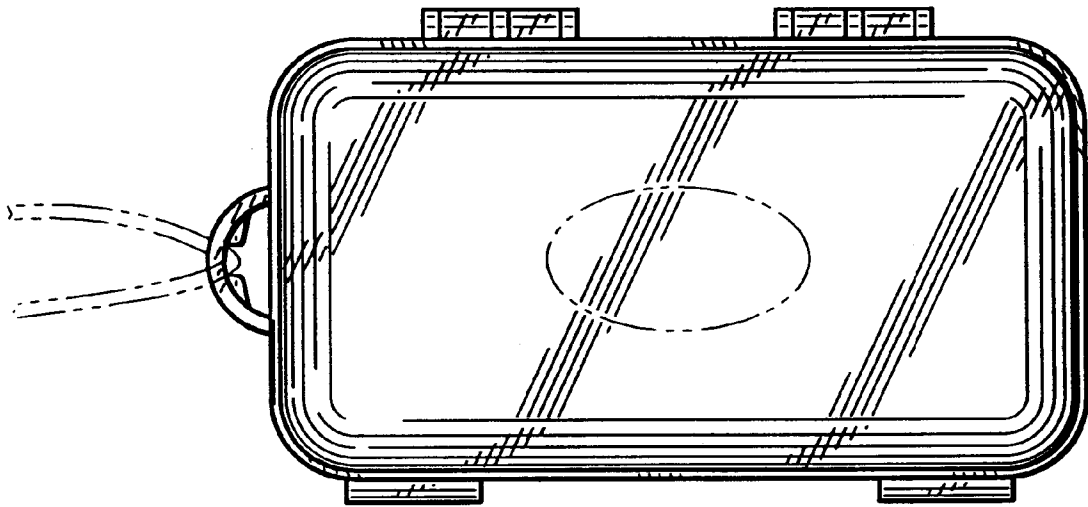


FIG. 12