



US00D509843S

(12) **United States Design Patent**
Cho

(10) **Patent No.:** **US D509,843 S**

(45) **Date of Patent:** **** Sep. 20, 2005**

(54) **NETWORK CAMERA**

(75) **Inventor:** **Changsin Cho, Yokohama (JP)**

(73) **Assignee:** **Canon Kabushiki Kaisha, Tokyo (JP)**

(**) **Term:** **14 Years**

(21) **Appl. No.:** **29/210,043**

(22) **Filed:** **Jul. 27, 2004**

(30) **Foreign Application Priority Data**

May 27, 2004 (JP) 2004-015560

(51) **LOC (8) Cl.** **16-01**

(52) **U.S. Cl.** **D16/203; D16/218**

(58) **Field of Search** **D16/200–205,**
D16/208, 218, 250; 348/373–376; 358/906,
909.1; 396/535–541

(56) **References Cited**

U.S. PATENT DOCUMENTS

5,055,863 A * 10/1991 Lindenfelser et al. 358/909.1
D322,084 S * 12/1991 Tabuchi D16/202

D415,510 S * 10/1999 Maeyama D16/204
D442,982 S * 5/2001 Adachi et al. D16/203
D496,954 S * 10/2004 Matsumoto et al. D16/203

* cited by examiner

Primary Examiner—Adir Aronovich

(74) *Attorney, Agent, or Firm*—Fitzpatrick, Cella, Harper & Scinto

(57) **CLAIM**

The ornamental design for a network camera, as shown and described.

DESCRIPTION

FIG. 1 is a front view of a network camera showing my new design;
FIG. 2 is a rear view thereof;
FIG. 3 is a top plan view thereof;
FIG. 4 is a bottom plan view thereof;
FIG. 5 is a left side view thereof;
FIG. 6 is a right side view thereof; and,
FIG. 7 is a perspective view thereof.

1 Claim, 7 Drawing Sheets

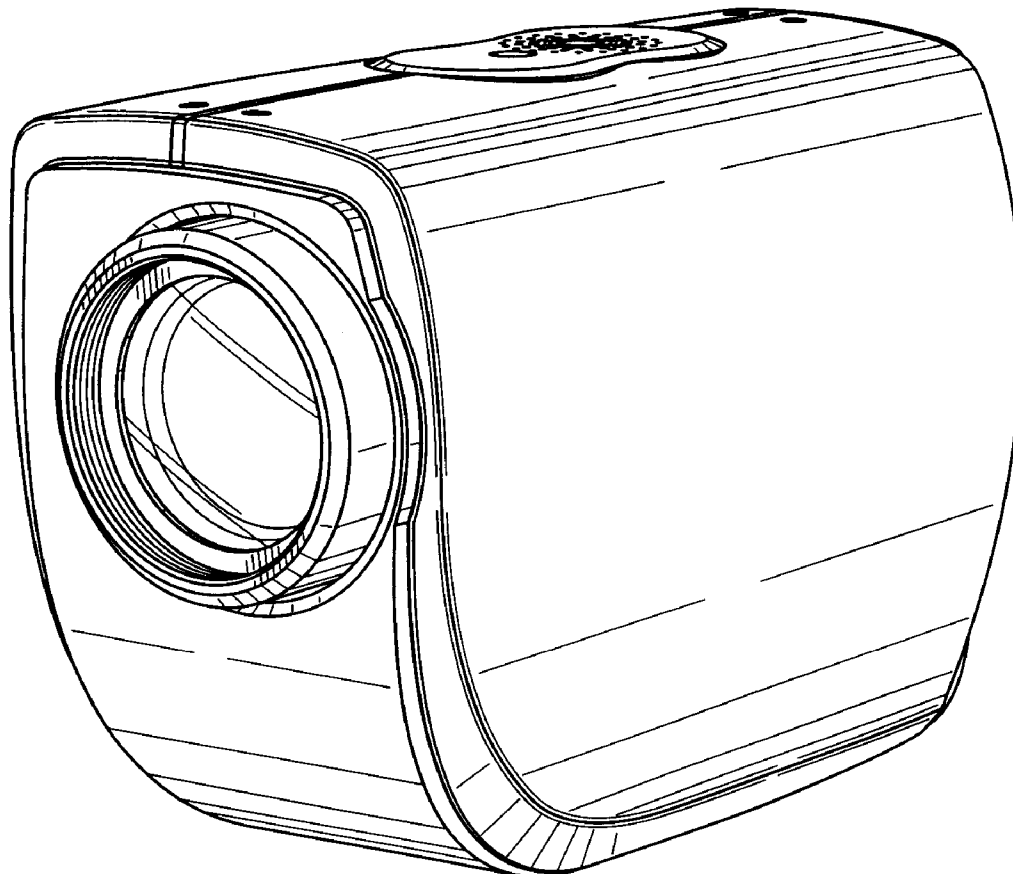


FIG. 1

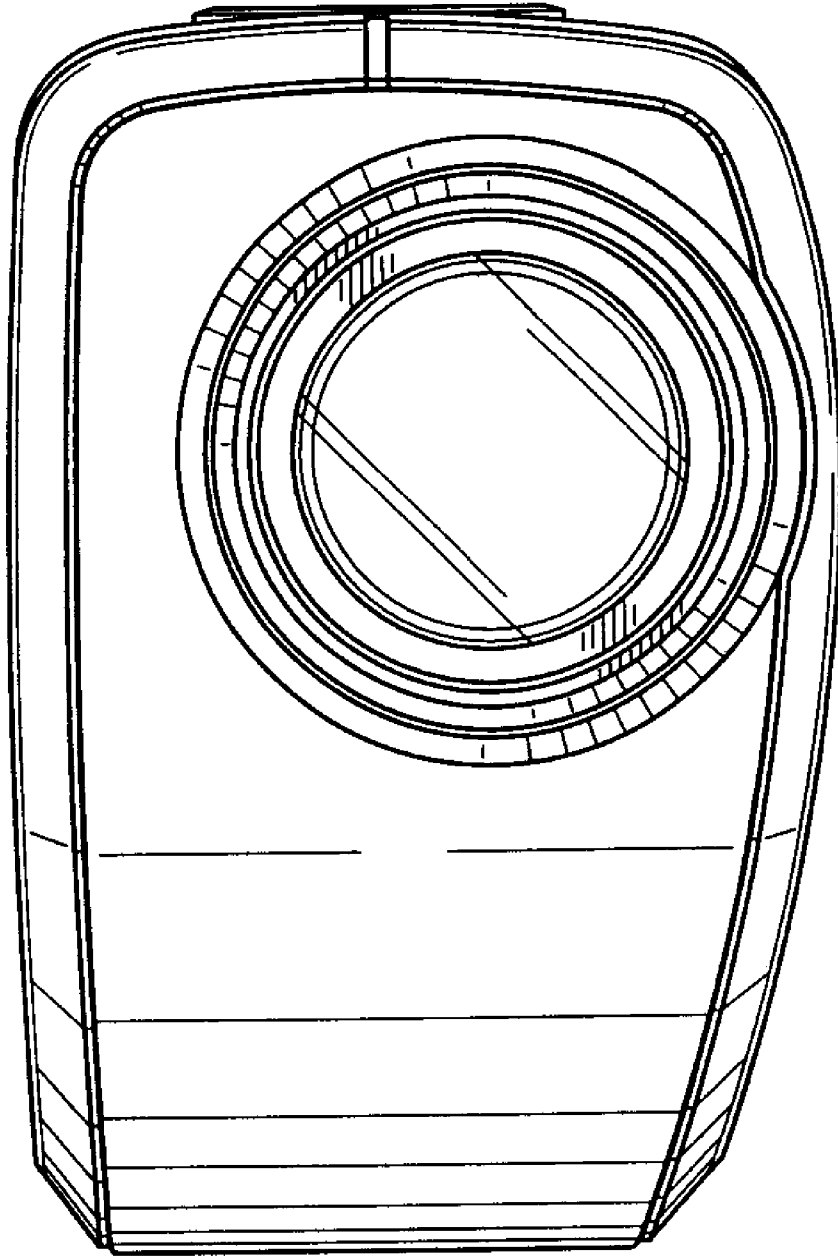


FIG. 2

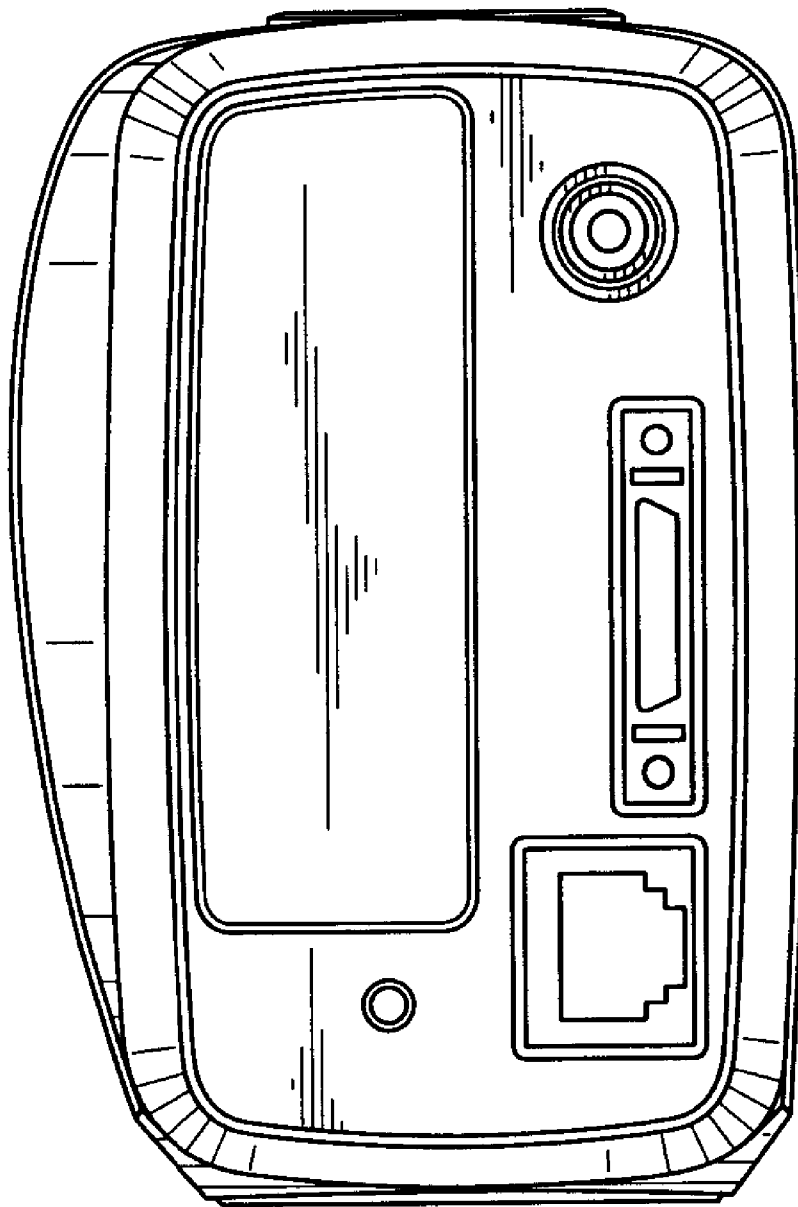


FIG. 3

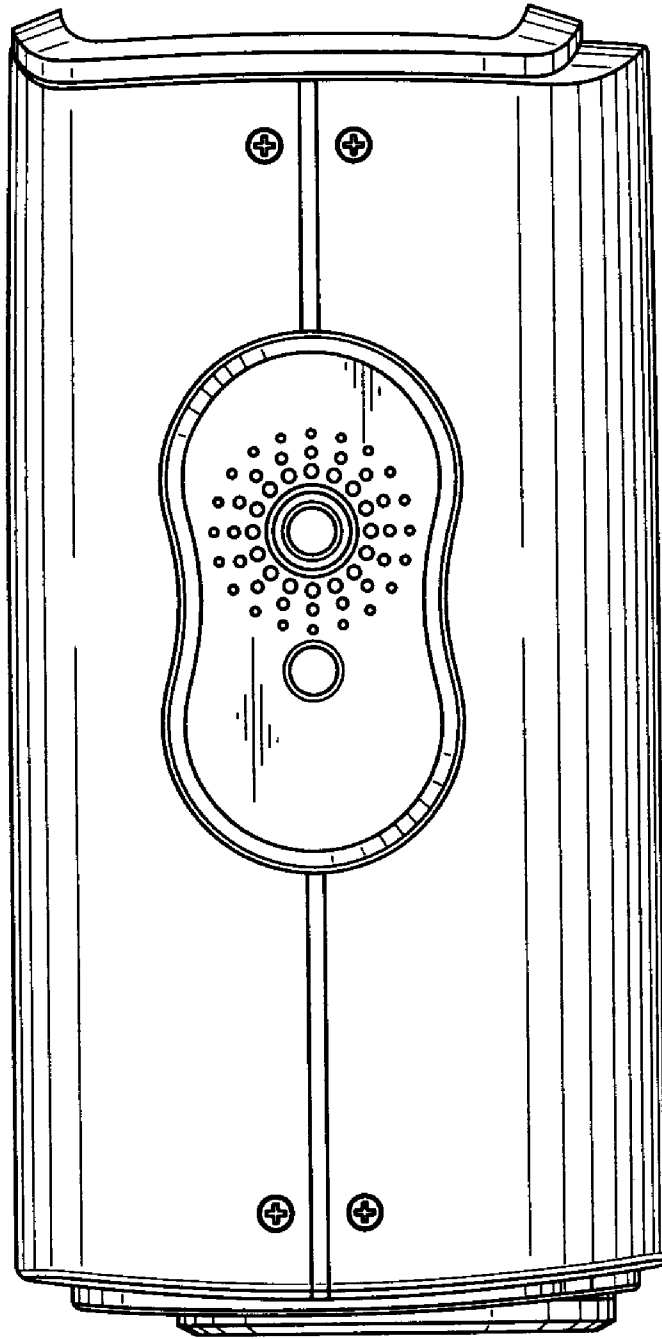


FIG. 4

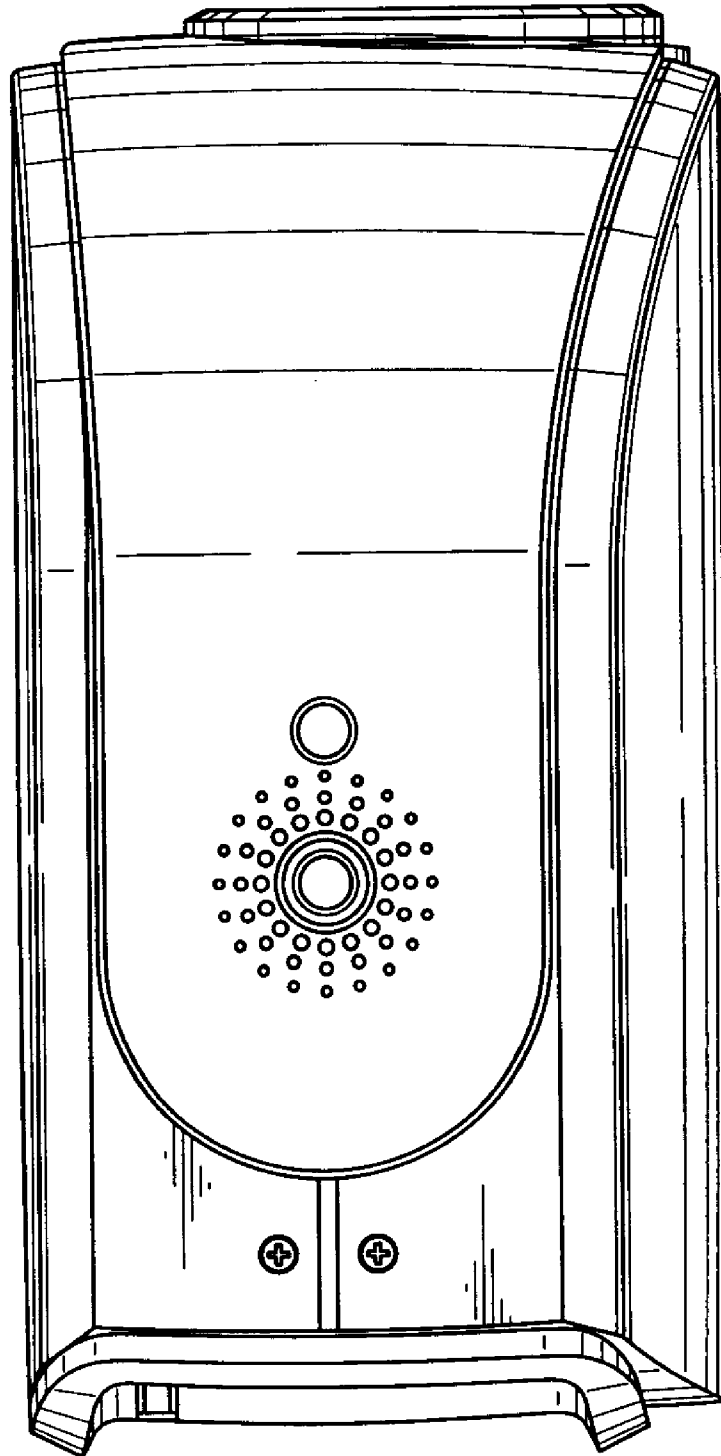


FIG. 5

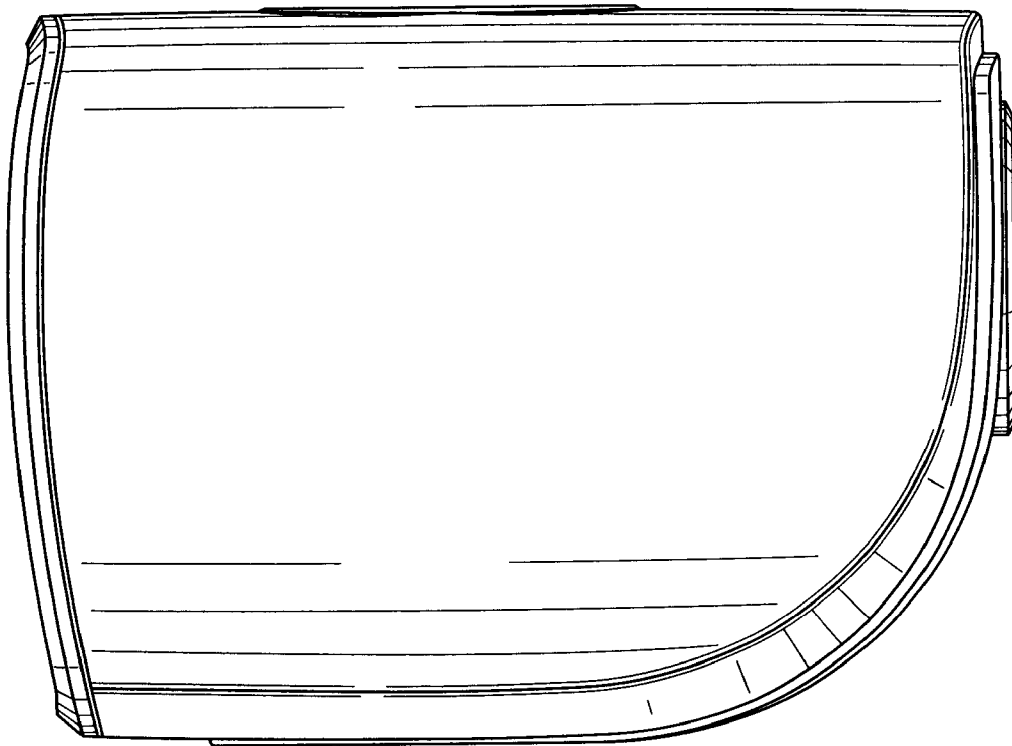


FIG. 6

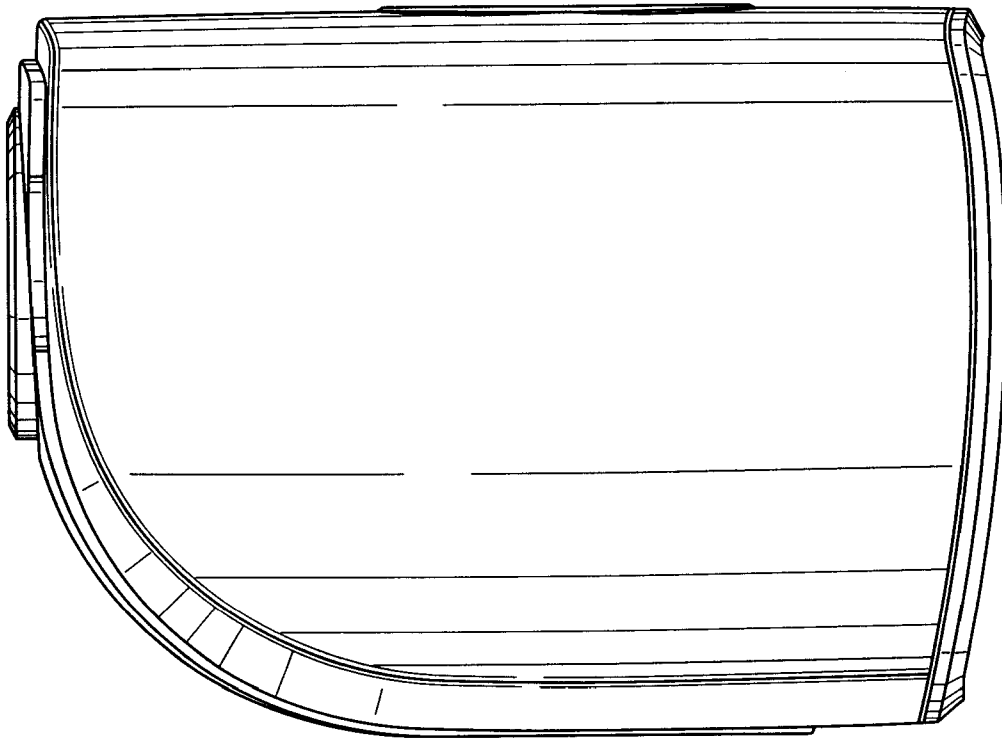


FIG. 7

