



US00D460947S

(12) **United States Design Patent**  
**Montena**

(10) **Patent No.:** **US D460,947 S**

(45) **Date of Patent:** **\*\* Jul. 30, 2002**

(54) **SLEEVE FOR CO-AXIAL CABLE CONNECTOR**

3,539,969 A \* 11/1970 Johnson et al. .... 439/231  
5,662,488 A \* 9/1997 Alden ..... 439/314  
D412,885 S \* 8/1999 Toly ..... D13/154

(75) Inventor: **Noah Montena**, Syracuse, NY (US)

\* cited by examiner

(73) Assignee: **John Mezzalingua Associates, Inc.**,  
East Syracuse, NY (US)

*Primary Examiner*—Robert M. Spear  
(74) *Attorney, Agent, or Firm*—George R. McGuire,  
Hancock & Estabrook, LLP

(\*\*) Term: **14 Years**

(57) **CLAIM**

(21) Appl. No.: **29/151,966**

The ornamental design for a sleeve for co-axial cable connector, as shown and described.

(22) Filed: **Dec. 13, 2001**

(51) **LOC (7) Cl.** ..... **13-03**

**DESCRIPTION**

(52) **U.S. Cl.** ..... **D13/154**

(58) **Field of Search** ..... D13/133, 149,  
D13/151, 154; 439/578, 583, 584, 585

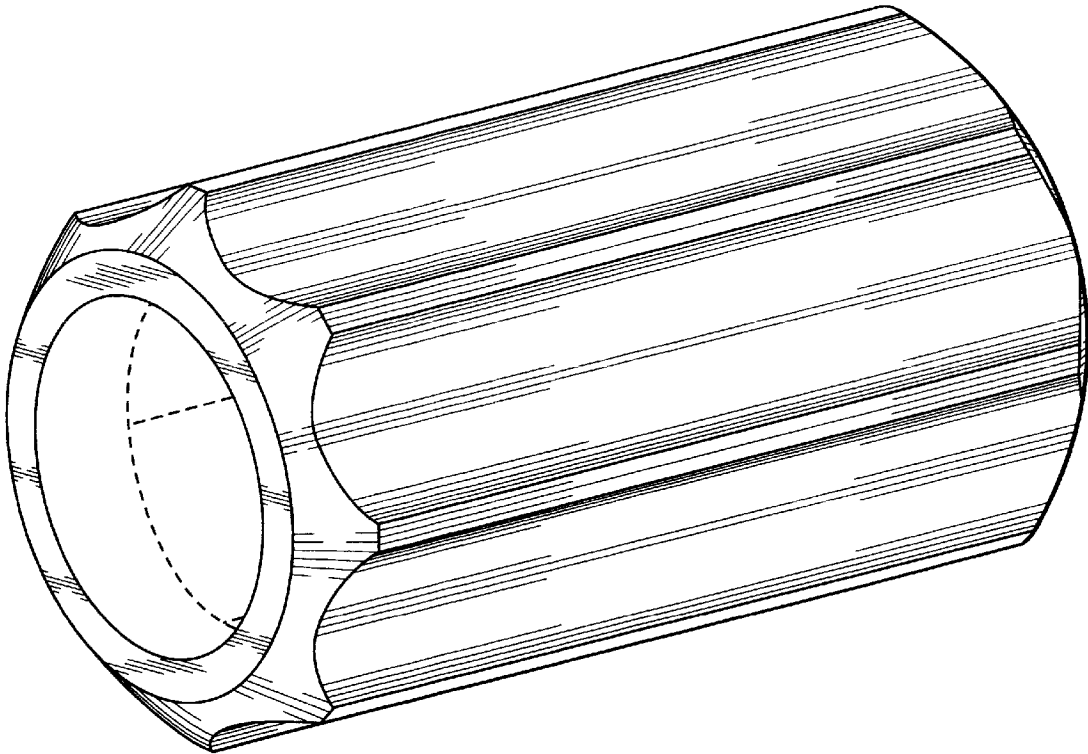
FIG. 1 is a perspective view of a sleeve for co-axial cable connector showing my new design; FIG. 2 is a side elevational view thereof, the other sides, top, plan and bottom plan views being mirror images; FIG. 3 is a first end view thereof; and, FIG. 4 is an opposite end view thereof. The broken lines depict environmental structure and form no part of the claimed design.

(56) **References Cited**

**U.S. PATENT DOCUMENTS**

D42,947 S \* 8/1912 Ningesser ..... D13/199  
D111,981 S \* 11/1938 Koger ..... D13/153  
D178,554 S \* 8/1956 Stone ..... D13/199  
D204,674 S \* 5/1966 Trimble ..... D13/133

**1 Claim, 3 Drawing Sheets**



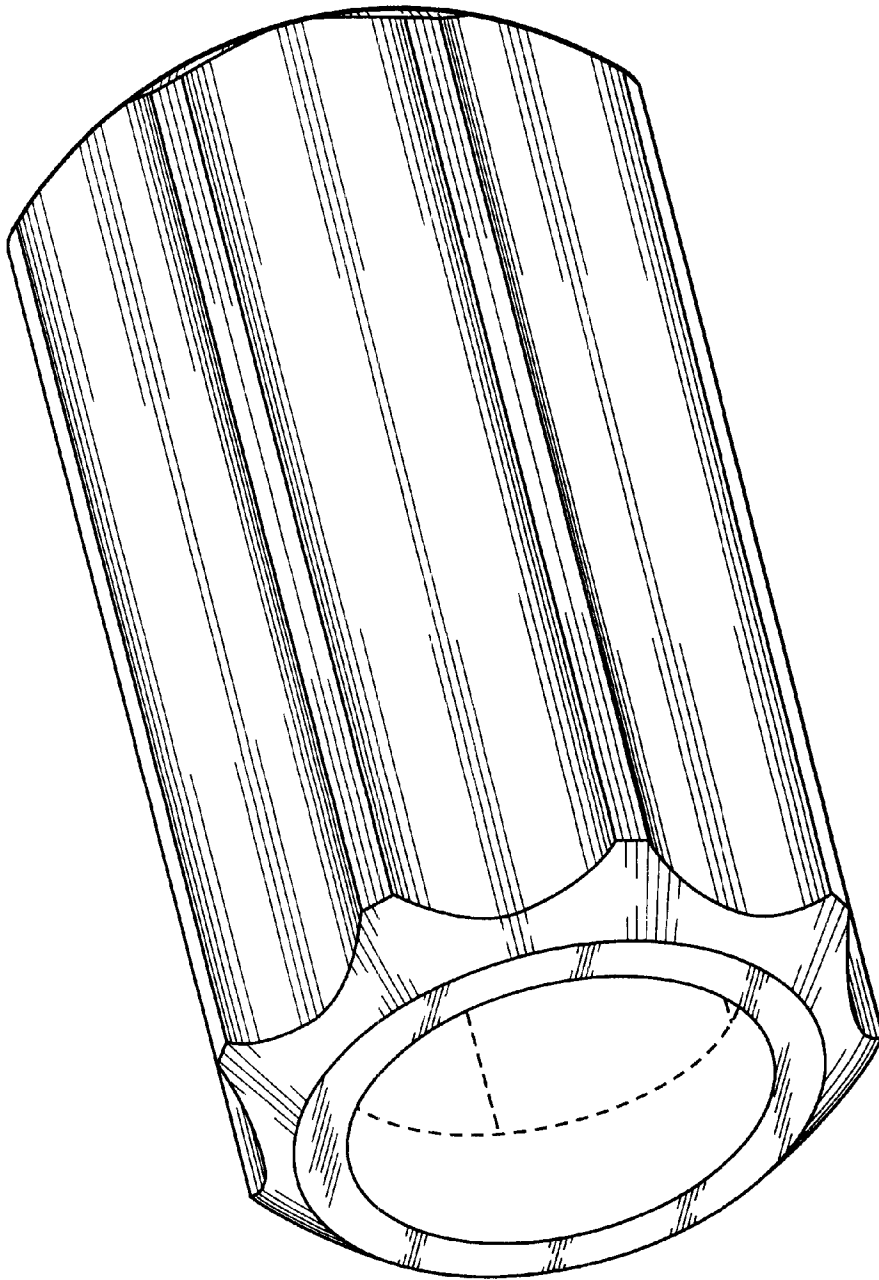


FIG. 1

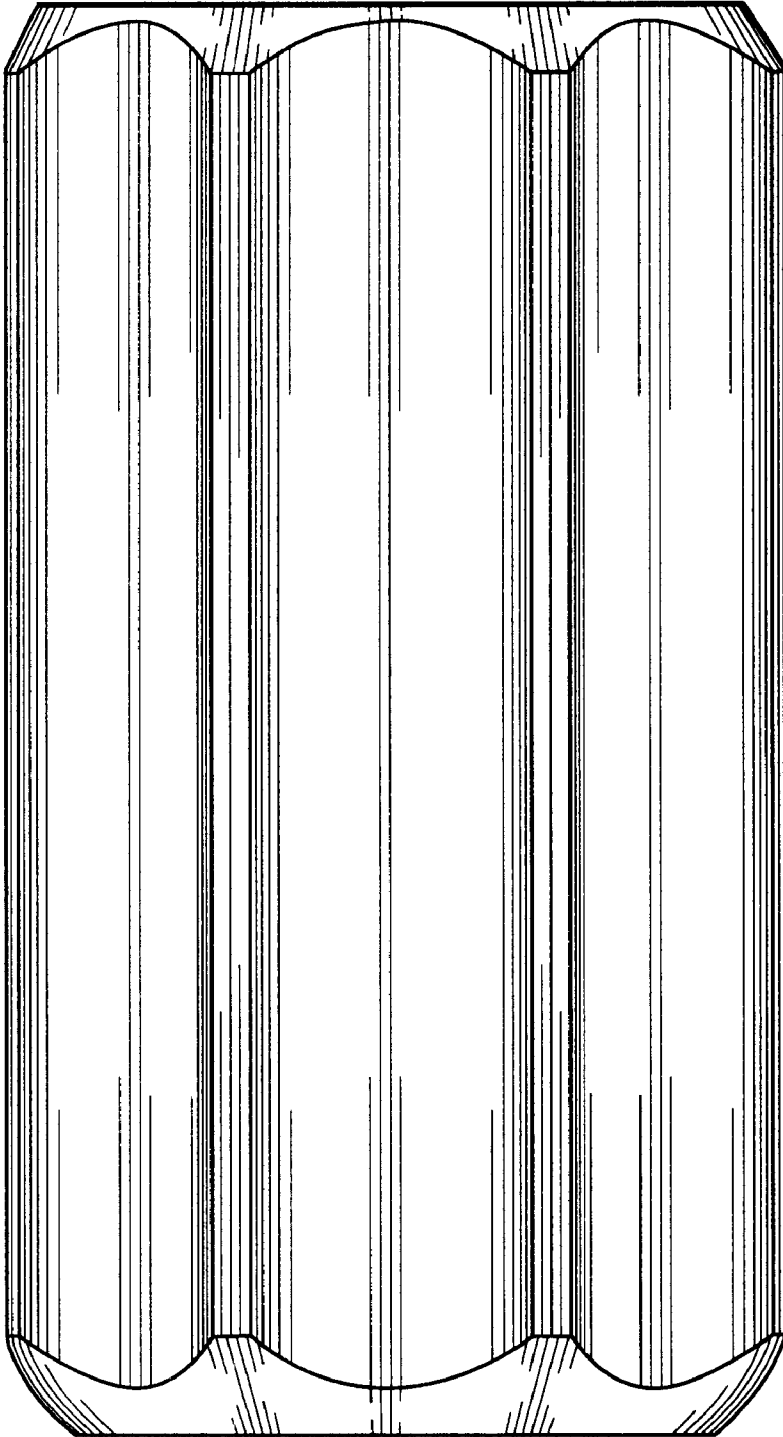


FIG. 2

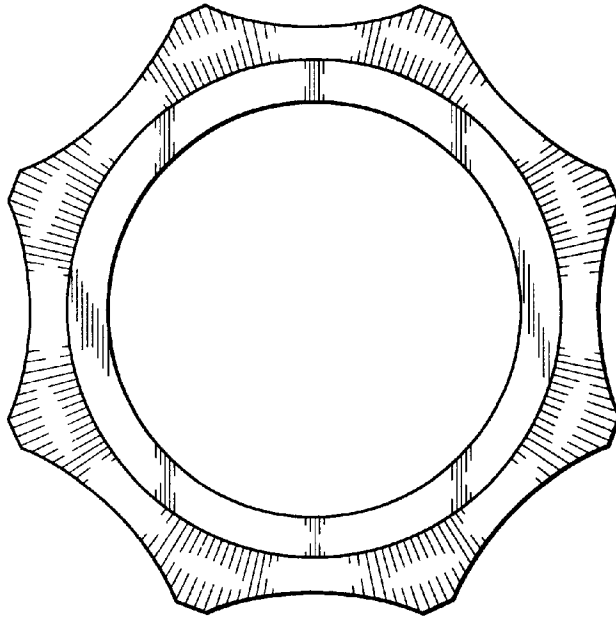


FIG. 3

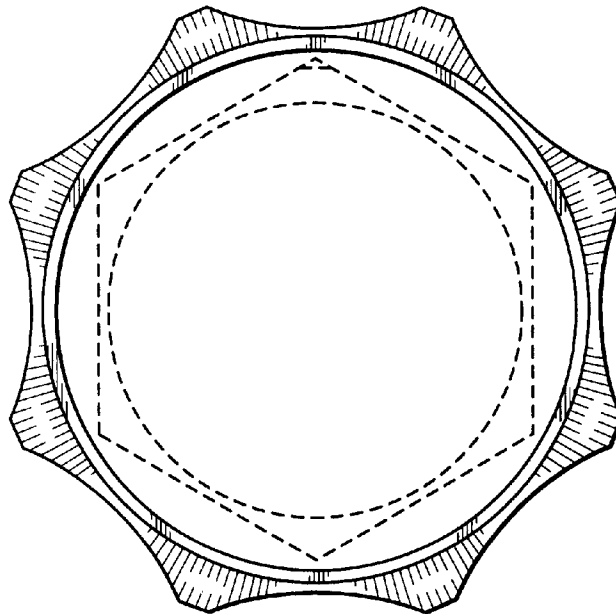


FIG. 4