



US00D936043S

(12) **United States Design Patent**
Zhang

(10) **Patent No.:** **US D936,043 S**

(45) **Date of Patent:** **** Nov. 16, 2021**

(54) **DISPLAY MOUNT**

(71) Applicant: **Shenzhen Prime Technology Co., Ltd,**
Shenzhen (CN)

(72) Inventor: **Yuanming Zhang,** Shenzhen (CN)

(**) Term: **15 Years**

(21) Appl. No.: **29/749,750**

(22) Filed: **Sep. 9, 2020**

(51) **LOC (13) Cl.** **14-03**

(52) **U.S. Cl.**
USPC **D14/239; D14/451**

(58) **Field of Classification Search**
USPC D8/354, 349, 355, 363, 373, 380, 387,
D8/388, 389; D20/22, 27, 42, 43;
D14/452, 451, 448, 447, 239
CPC H05K 5/0204; H05K 7/14; F16M 13/02;
H04N 5/655; H04N 5/64; G06F 1/1601;
G06F 1/16; A45F 5/00; A45F 5/021;
A45F 200/0516; A45F 2200/0508; A45F
2200/0525
See application file for complete search history.

(56) **References Cited**

U.S. PATENT DOCUMENTS

D538,632 S 3/2007 Ly Hau et al.
D553,125 S * 10/2007 Ly Hau D14/239
D561,562 S 2/2008 Wohlford et al.
D614,611 S * 4/2010 Leung D14/239

D643,421 S * 8/2011 Russell D14/239
9,829,151 B1 * 11/2017 Stenhouse F16M 13/02
D848,989 S * 5/2019 Pei D14/239
D858,493 S * 9/2019 Pei D14/239
D877,743 S * 3/2020 Pei D14/451
D907,018 S * 1/2021 Pei D14/239
D911,320 S * 2/2021 Lyu D14/239
D912,028 S * 3/2021 Shu D14/239
D915,365 S * 4/2021 Lu D14/239
D918,189 S * 5/2021 Lu D14/239
D918,881 S * 5/2021 Lu D14/239
D925,508 S * 7/2021 Lyu D14/239

* cited by examiner

Primary Examiner — Keli L Hill

Assistant Examiner — Harold E Blackwell, II

(74) *Attorney, Agent, or Firm* — W&KIP

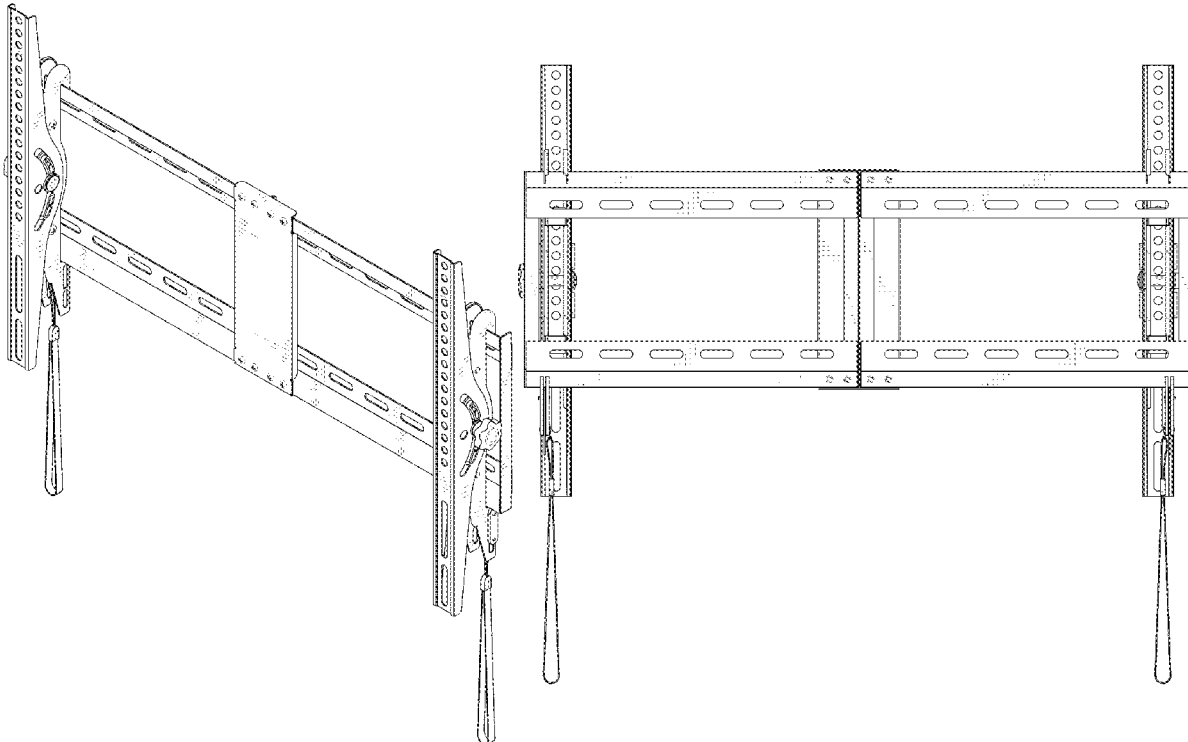
(57) **CLAIM**

The ornamental design for a display mount, as shown and described.

DESCRIPTION

FIG. 1 is a perspective view of a display mount showing my new design;
FIG. 2 is a front view thereof;
FIG. 3 is a rear view thereof;
FIG. 4 is a left side view thereof;
FIG. 5 is a right side view thereof;
FIG. 6 is a top plan view thereof; and,
FIG. 7 is a bottom plan view thereof.
The broken lines in FIGS. 1-7 illustrate portions of the display mount which form no part of the claimed design.

1 Claim, 7 Drawing Sheets



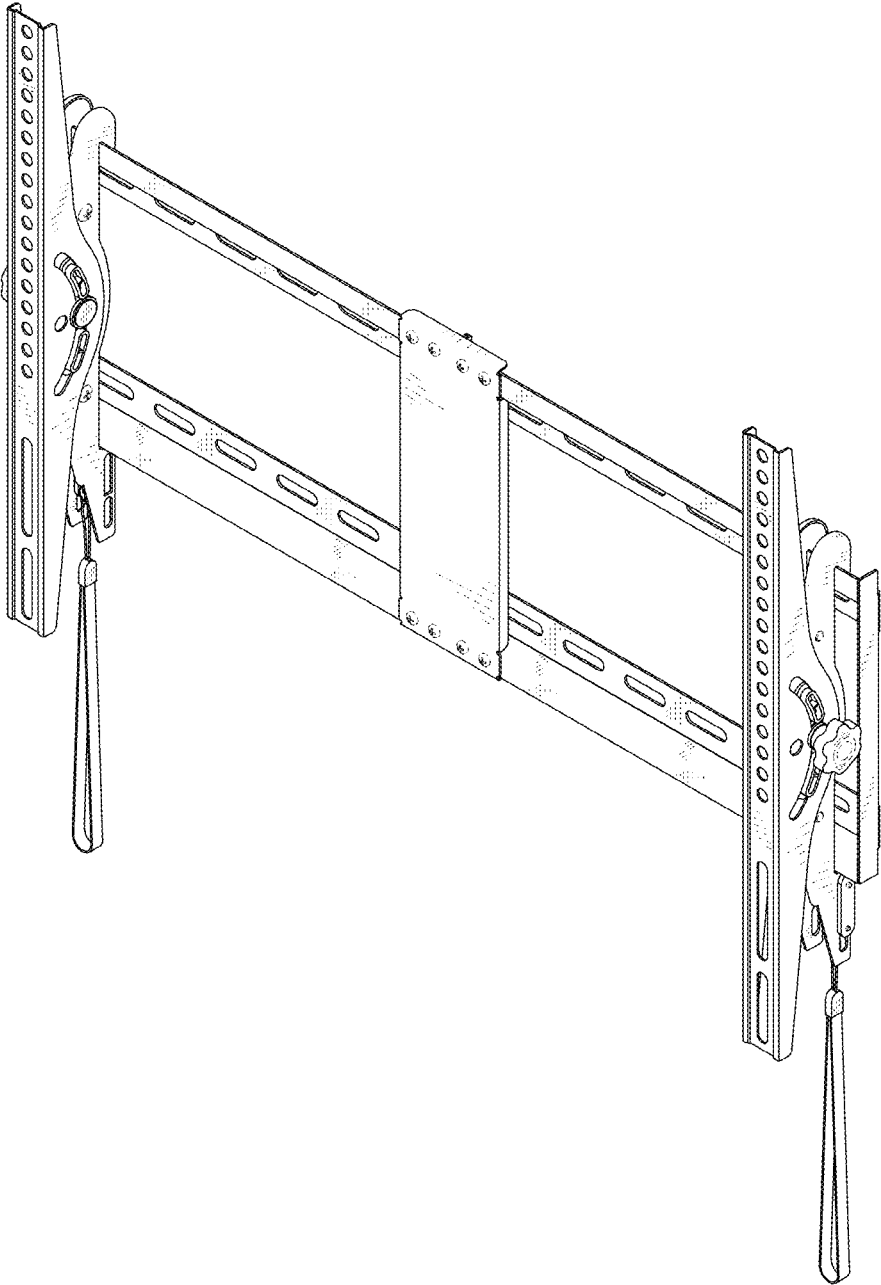


FIG.1

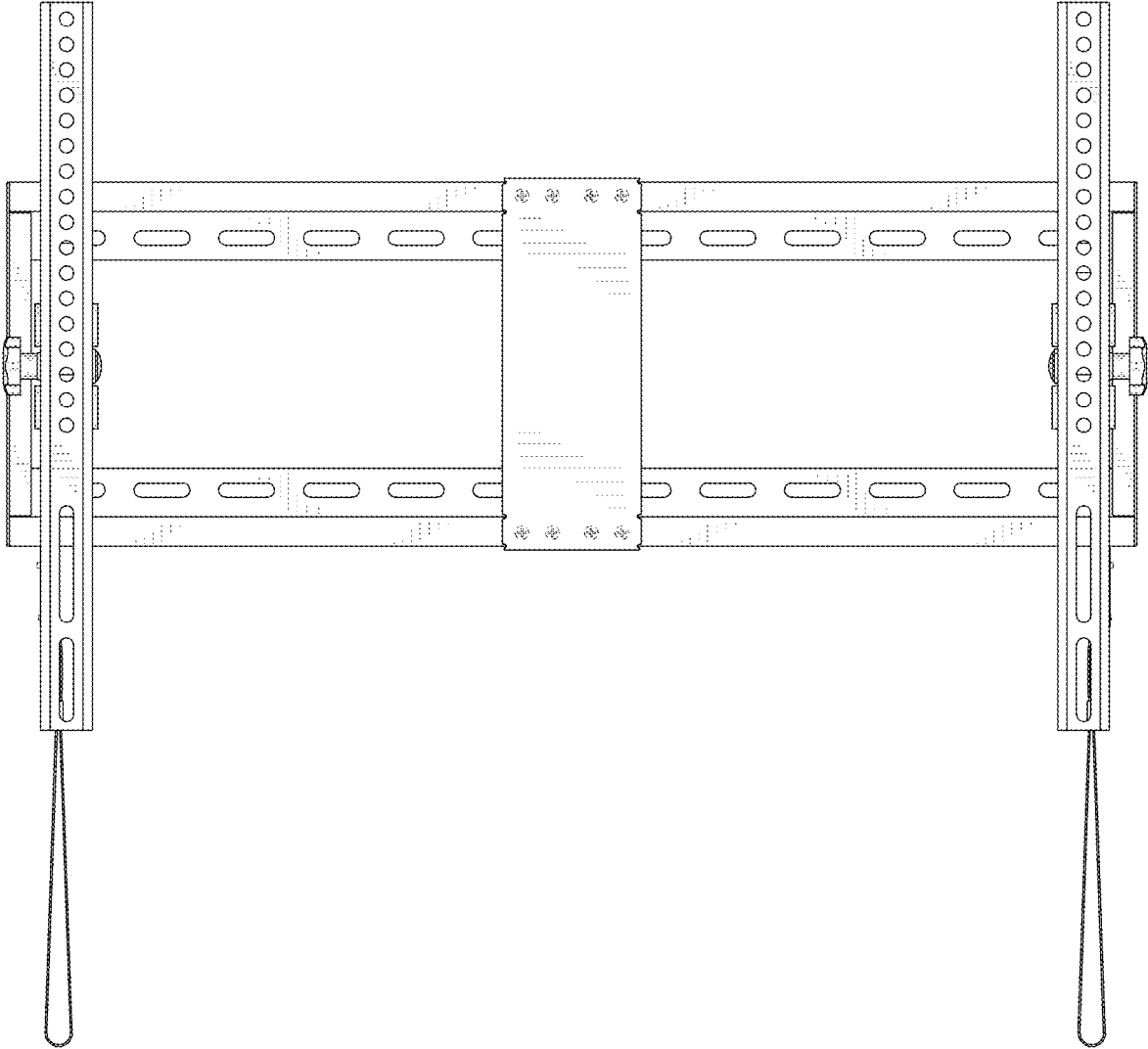


FIG.2

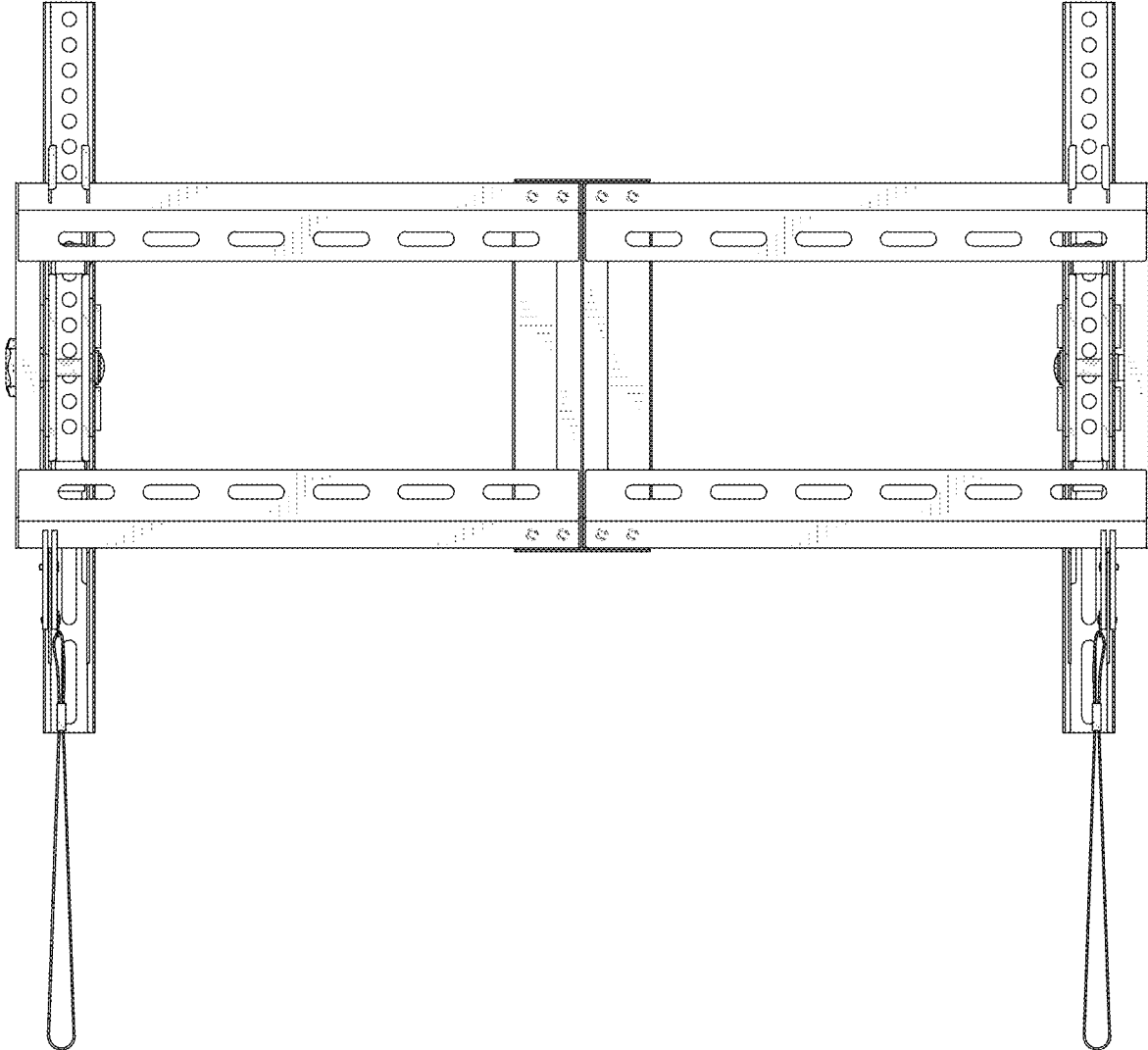


FIG.3

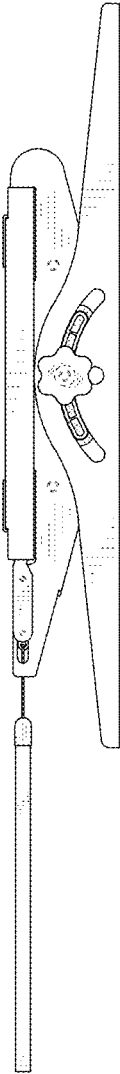


FIG. 4

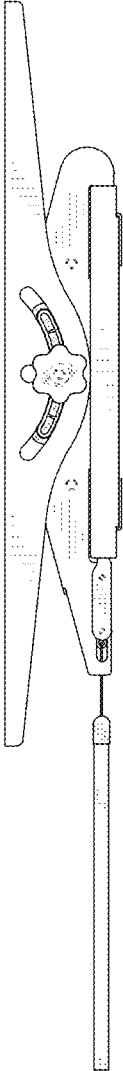


FIG. 5

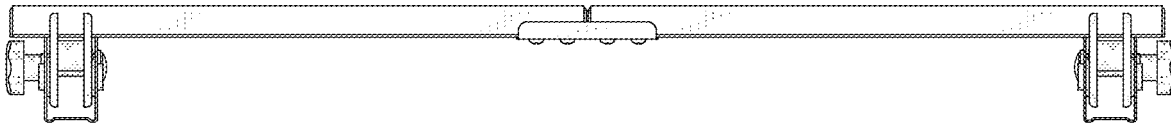


FIG.6

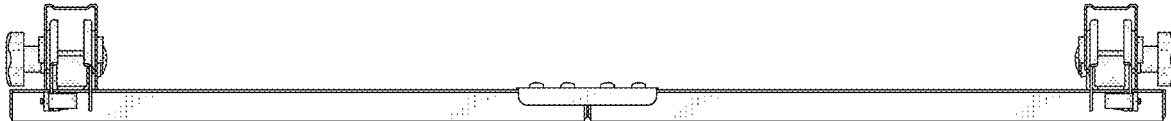


FIG. 7