



US00D993735S

(12) **United States Design Patent**  
**Königer et al.**

(10) **Patent No.:** **US D993,735 S**

(45) **Date of Patent:** **\*\* Aug. 1, 2023**

(54) **CORDLESS HAMMER DRILL WITH DUST ABSORPTION**

(71) Applicant: **Hilti Aktiengesellschaft, Schaan (LI)**

(72) Inventors: **Tobias Königler, Bregenz (AT); Graham Keevy, Aalen (DE); Peter Simon, Aalen (DE)**

(73) Assignee: **Hilti Aktiengesellschaft, Schaan (LI)**

(\*\*) Term: **15 Years**

(21) Appl. No.: **35/513,116**

(22) Filed: **Jun. 10, 2021**

(80) **Hague Agreement Data**

Int. Filing Date: **Jun. 10, 2021**  
Int. Reg. No.: **DM/216922**  
Int. Reg. Date: **Jun. 10, 2021**  
Int. Reg. Pub. Date: **Dec. 10, 2021**

(30) **Foreign Application Priority Data**

Dec. 11, 2020 (LI) ..... 2020-876

(51) **LOC (14) Cl.** ..... **08-05**

(52) **U.S. Cl.**  
USPC ..... **D8/69**

(58) **Field of Classification Search**

USPC ..... D8/68, 61, 70; D15/138  
CPC . B23Q 11/0071; B23B 49/005; B23B 49/008;  
B23B 2270/30

See application file for complete search history.

(56) **References Cited**

**U.S. PATENT DOCUMENTS**

D327,618 S \* 7/1992 Ogawa ..... D8/68  
D538,126 S \* 3/2007 Aglassinger ..... D8/68  
D587,547 S \* 3/2009 Aglassinger ..... D8/69

D592,028 S \* 5/2009 Taniguchi ..... D8/69  
D604,583 S \* 11/2009 Yamamoto ..... D8/69  
D610,478 S \* 2/2010 Bast ..... D10/69  
D677,139 S \* 3/2013 Yamamoto ..... D8/70  
D711,717 S \* 8/2014 Walz ..... D8/69  
D765,485 S \* 9/2016 Holst ..... D8/68  
9,776,296 B2 \* 10/2017 Brewster ..... B23Q 11/00  
D815,933 S \* 4/2018 Koeninger ..... D8/69  
D830,804 S \* 10/2018 Sell ..... B08B 9/08  
D8/67

(Continued)

*Primary Examiner* — Calvin E Vansant

(74) *Attorney, Agent, or Firm* — Crowell & Moring LLP

(57) **CLAIM**

The ornamental design for a cordless hammer drill with dust absorption, as shown and described.

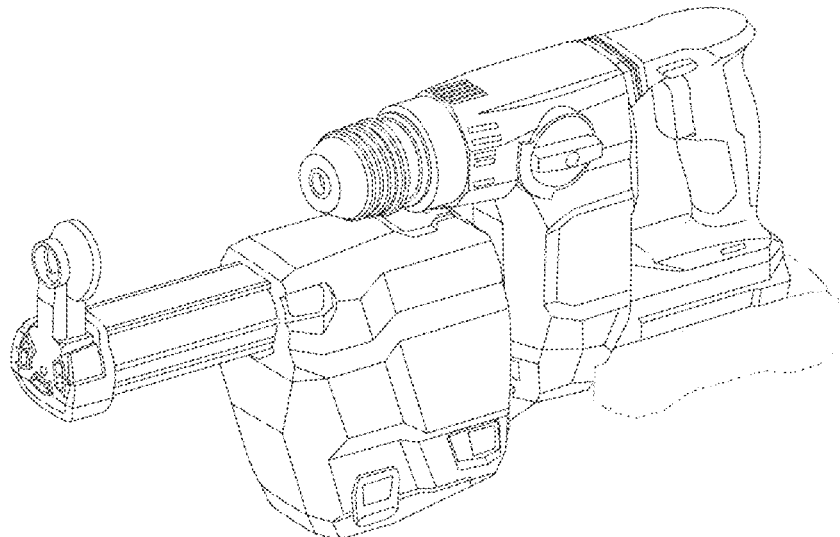
**DESCRIPTION**

The patent or application file contains at least one drawing executed in color. Copies of this patent or patent application publication with color drawing(s) will be provided by the Office upon request and payment of the necessary fee.

- 1. Cordless hammer drill with dust absorption
- 3. Cordless hammer drill with dust absorption

- 1.1 : Perspective
- 1.2 : Front
- 1.3 : Back
- 1.4 : Top
- 1.5 : Bottom
- 1.6 : Left
- 1.7 : Right
- 3.1 : Perspective
- 3.2 : Front
- 3.3 : Back
- 3.4 : Top
- 3.5 : Bottom
- 3.6 : Left
- 3.7 : Right

**1 Claim, 14 Drawing Sheets**  
**(7 of 14 Drawing Sheet(s) Filed in Color)**



(56)

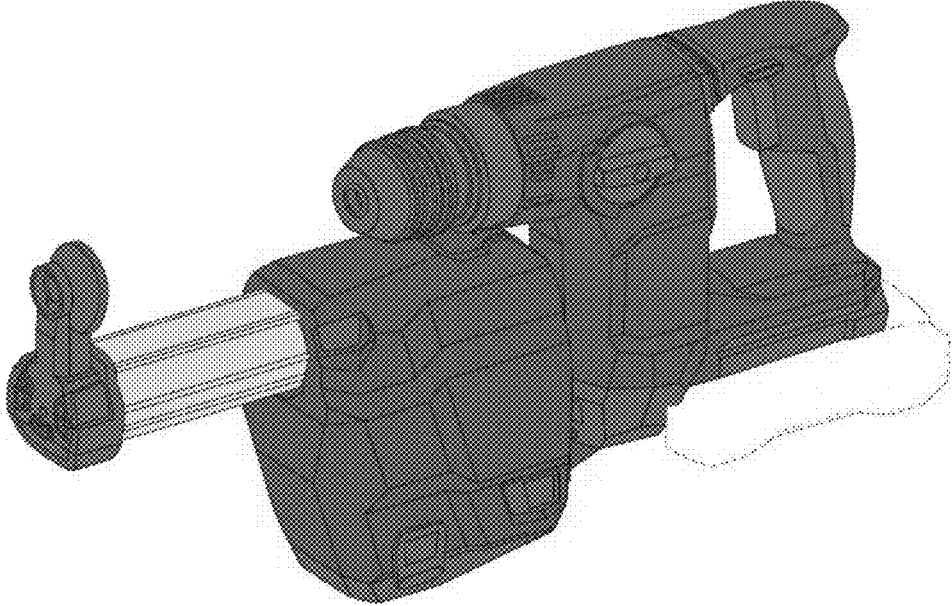
**References Cited**

## U.S. PATENT DOCUMENTS

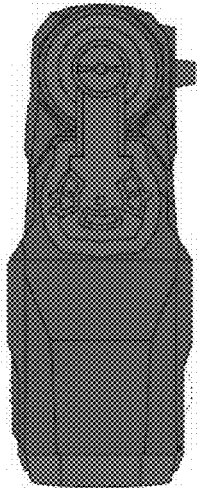
D853,814 S \* 7/2019 Koeniger ..... B23Q 1/0009  
D8/69  
D855,430 S \* 8/2019 Koeniger ..... A47L 7/0095  
D8/69  
10,391,598 B2 \* 8/2019 Tiede ..... B23Q 1/0009  
D877,589 S \* 3/2020 Koeniger ..... B23Q 11/0046  
D8/69  
10,702,981 B2 \* 7/2020 Ullrich ..... B25D 17/20  
D893,278 S \* 8/2020 Liu ..... B23B 51/0054  
D15/138  
11,292,099 B2 \* 4/2022 Takeuchi ..... B23Q 11/0071  
11,491,597 B2 \* 11/2022 Wierzchon ..... B23B 51/0054  
2005/0281627 A1 \* 12/2005 Britz ..... B23Q 11/0046  
408/67  
2017/0173748 A1 \* 6/2017 Ullrich ..... B23Q 11/0046  
2019/0223669 A1 \* 7/2019 Lauer ..... B08B 9/08  
2019/0358758 A1 \* 11/2019 Ullrich ..... B23Q 11/0046  
2020/0030957 A1 \* 1/2020 Heimrich ..... H02K 11/0094  
2022/0105548 A1 \* 4/2022 Meyers ..... A47L 7/0095

\* cited by examiner

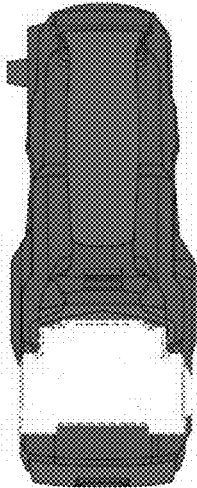
1.1



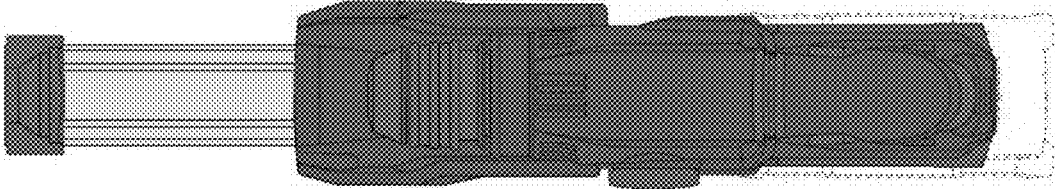
1.2



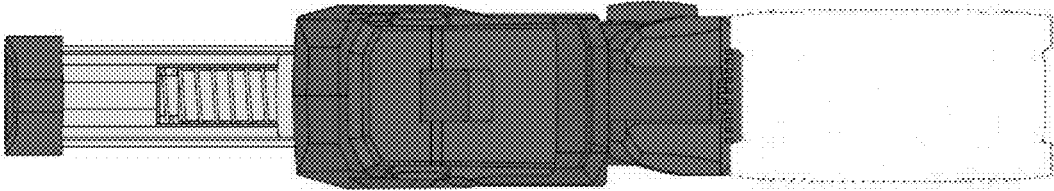
1.3



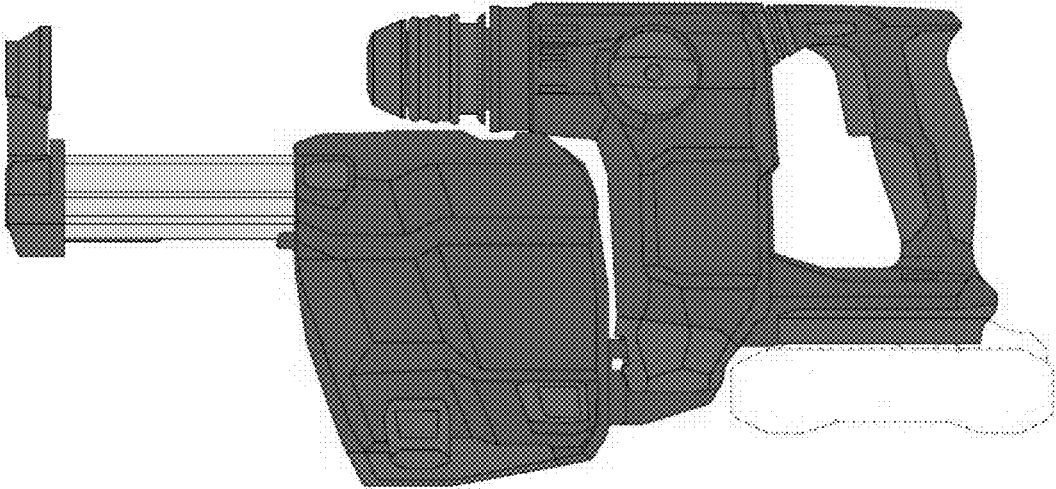
1.4



1.5

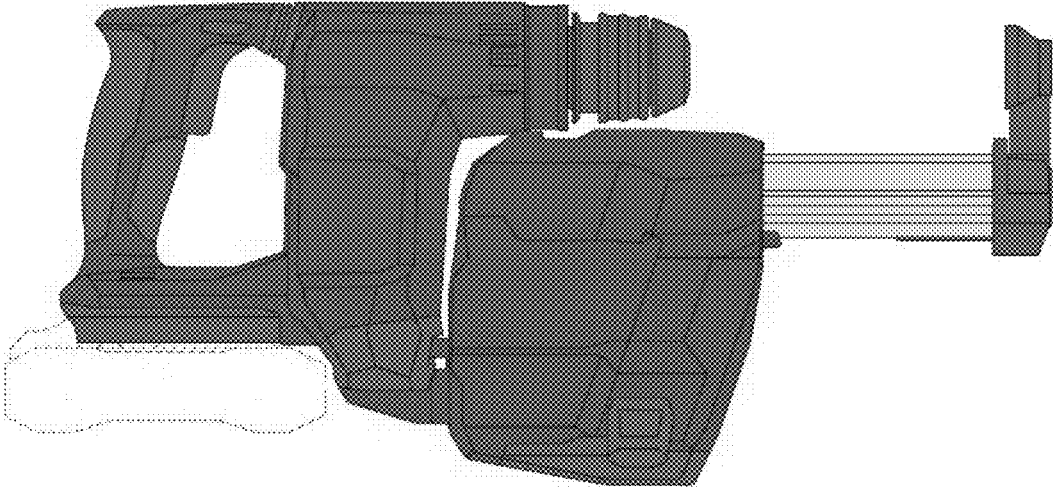


1.6

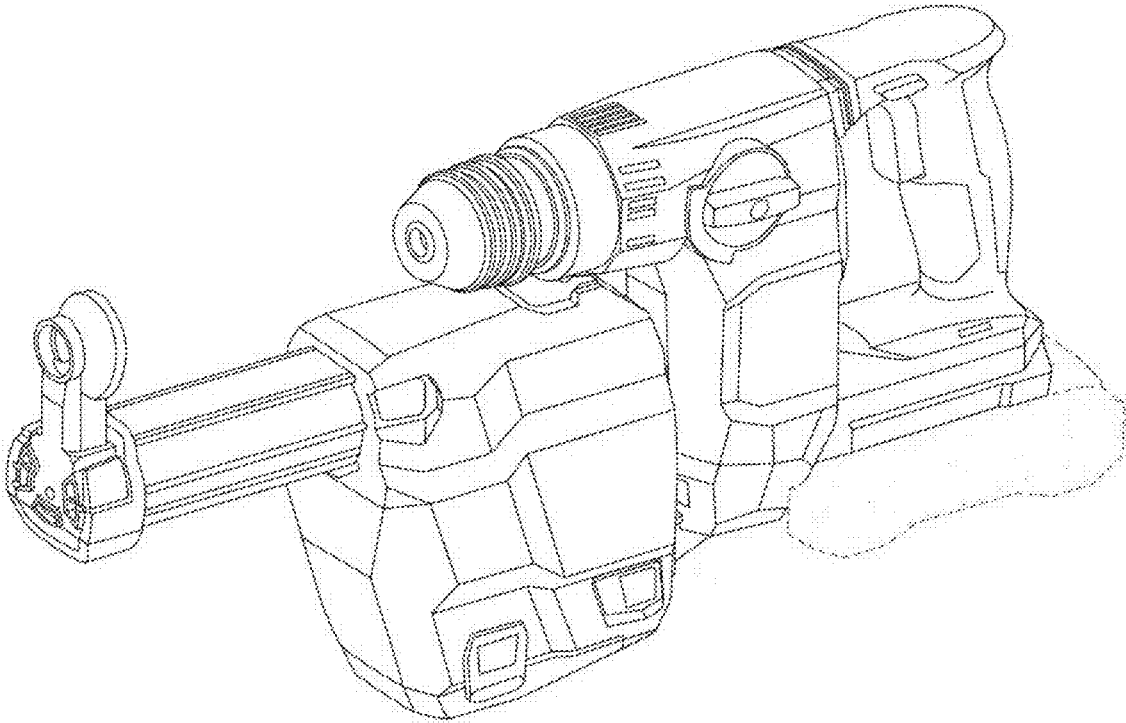




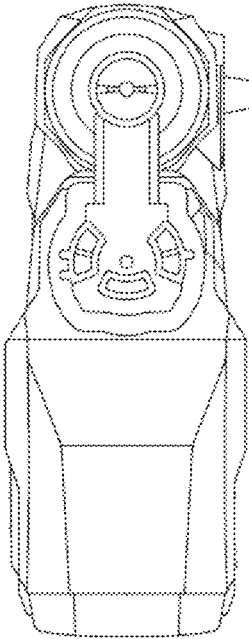
1.7



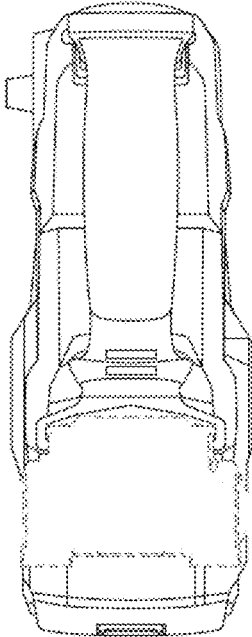
3.1



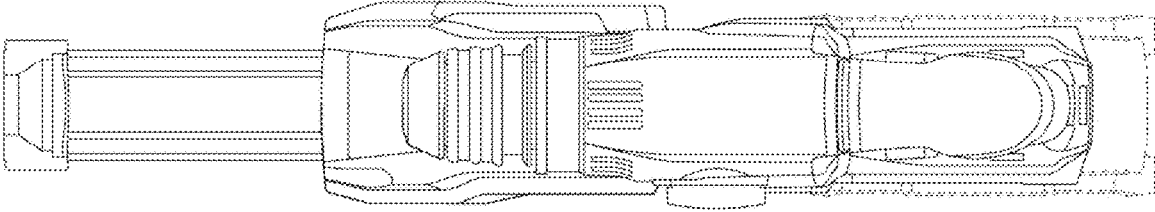
3.2



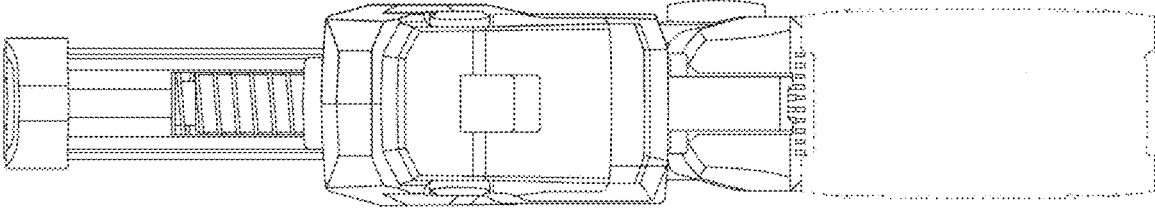
3.3



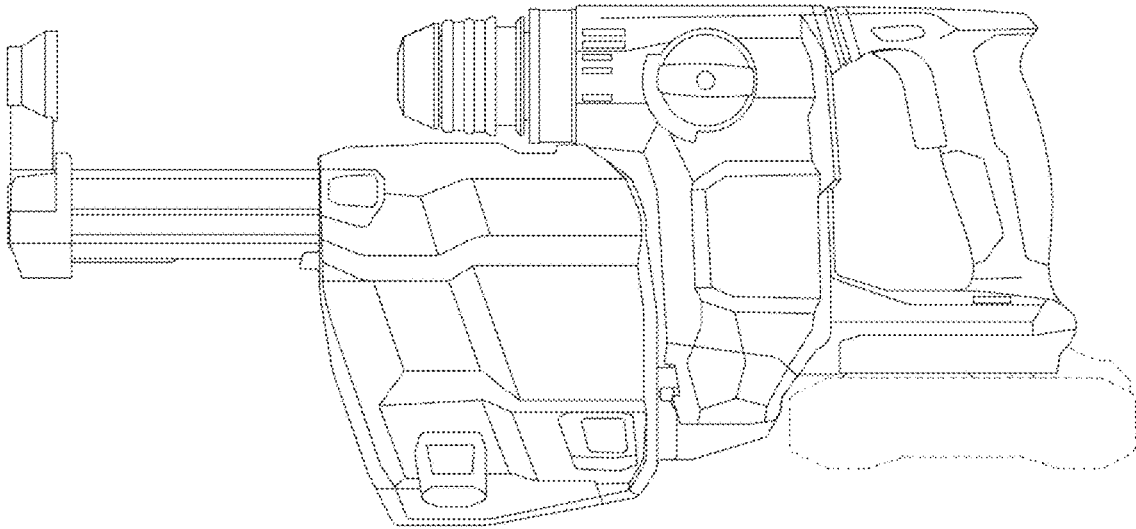
3.4



3.5



3.6



3.7

