



US00D667451S

(12) **United States Design Patent**  
**Wujcik et al.**

(10) **Patent No.:** **US D667,451 S**

(45) **Date of Patent:** **\*\* Sep. 18, 2012**

- (54) **DISPLAY SCREEN WITH ICON**
- (75) Inventors: **Patrick Wujcik**, Issaquah, WA (US);  
**Kieran Phelan**, Seattle, WA (US);  
**Michael H. LaManna**, Kirkland, WA (US);  
**Khurram Zia**, Bellevue, WA (US);  
**Marc Pottier**, Seattle, WA (US)
- (73) Assignee: **Microsoft Corporation**, Redmond, WA (US)
- (\*\*) Term: **14 Years**
- (21) Appl. No.: **29/401,414**
- (22) Filed: **Sep. 12, 2011**
- (51) **LOC (9) Cl.** ..... **32-00**
- (52) **U.S. Cl.** ..... **D14/492**
- (58) **Field of Classification Search** ..... D14/485-495;  
715/722, 810, 835, 836, 837, 839, 840, 846,  
715/847; D20/10, 11, 22, 23, 29  
See application file for complete search history.

(56) **References Cited**

**U.S. PATENT DOCUMENTS**

5,526,478	A	*	6/1996	Russell et al.	715/202
5,666,504	A	*	9/1997	Crutcher	715/848
6,191,783	BI	*	2/2001	Lambourne et al.	715/835
D438,873	S	*	3/2001	Wang et al.	D14/486
D445,426	S	*	7/2001	Wang et al.	D14/486
D516,574	S	*	3/2006	Ishida et al.	D14/488
D533,873	S		12/2006	Gusmorino et al.	
D561,191	S	*	2/2008	Haning et al.	D14/487
D576,172	S	*	9/2008	Kim	D14/486
D588,151	S	*	3/2009	Okada	D14/488
D594,465	S	*	6/2009	Hong et al.	D14/486
D594,466	S	*	6/2009	Hong et al.	D14/486
D621,849	S	*	8/2010	Anzures et al.	D14/488

D637,199	S	*	5/2011	Brinda et al.	D14/489
D650,796	S	*	12/2011	Rincover et al.	D14/492
2003/0085929	A1	*	5/2003	Huber et al.	345/810
2005/0066279	A1	*	3/2005	LeBarton et al.	715/723
2007/0288868	A1	*	12/2007	Rhee et al.	715/840
2007/0288869	A1	*	12/2007	Franklin et al.	715/840
2008/0016467	A1	*	1/2008	Chambers et al.	715/835
2008/0282193	A1	*	11/2008	Bennetts et al.	715/835
2009/0024963	A1	*	1/2009	Lindley et al.	715/839
2009/0083667	A1	*	3/2009	Uchida et al.	715/835
2009/0313263	A1	*	12/2009	Sato	707/10
2010/0037169	A1	*	2/2010	Beaty et al.	715/772
2011/0154174	A1	*	6/2011	Liu et al.	715/205
2012/0069231	A1	*	3/2012	Chao	348/333.01

**OTHER PUBLICATIONS**

Iconfactory : Freeware : Agua Stacks, [online] Released Feb. 19, 2008 [retrieved on Aug. 8, 2008]. Retrieved from the Internet <URL: <http://iconfactory.com/freeware/preview/agstk>>.\*

\* cited by examiner

*Primary Examiner* — Karen E Kearney

(74) *Attorney, Agent, or Firm* — Banner & Witcoff, Ltd.

(57) **CLAIM**

The ornamental design for a display screen with icon, as shown and described.

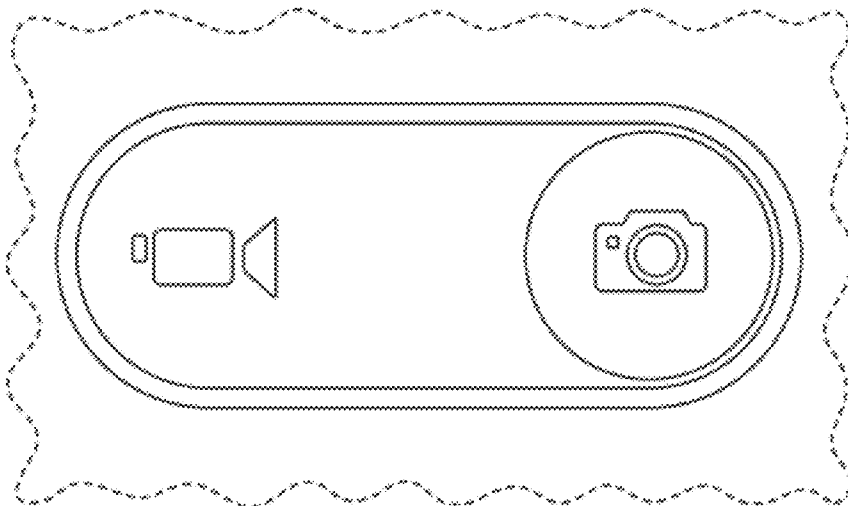
**DESCRIPTION**

FIG. 1 is a front view of a display screen with icon showing the new design; and,

FIG. 2 is a front view of a display screen with icon showing an alternative embodiment of the new design.

The broken line showing of the remainder of the display screen is for environmental purposes only and forms no part of the claimed design.

**1 Claim, 2 Drawing Sheets**



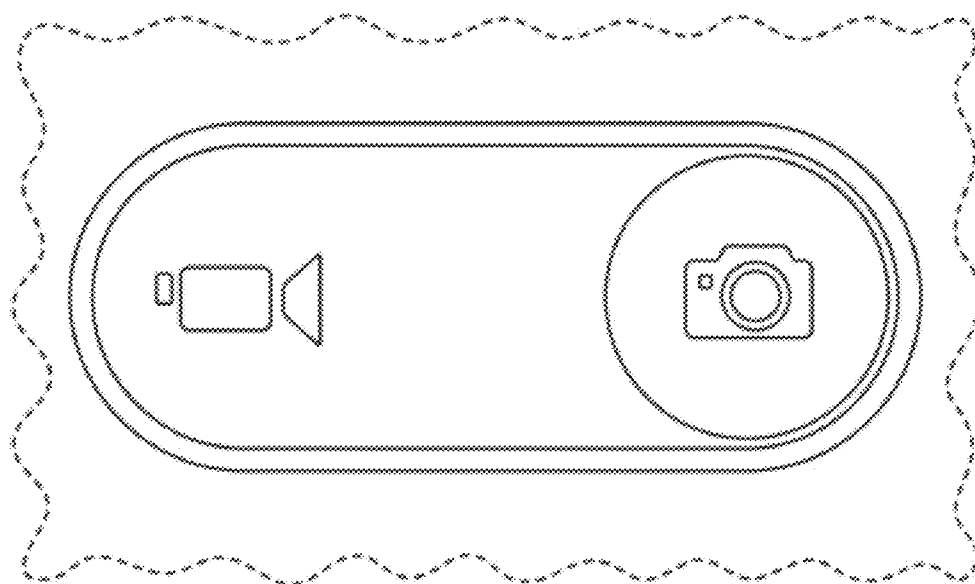


FIG. 1

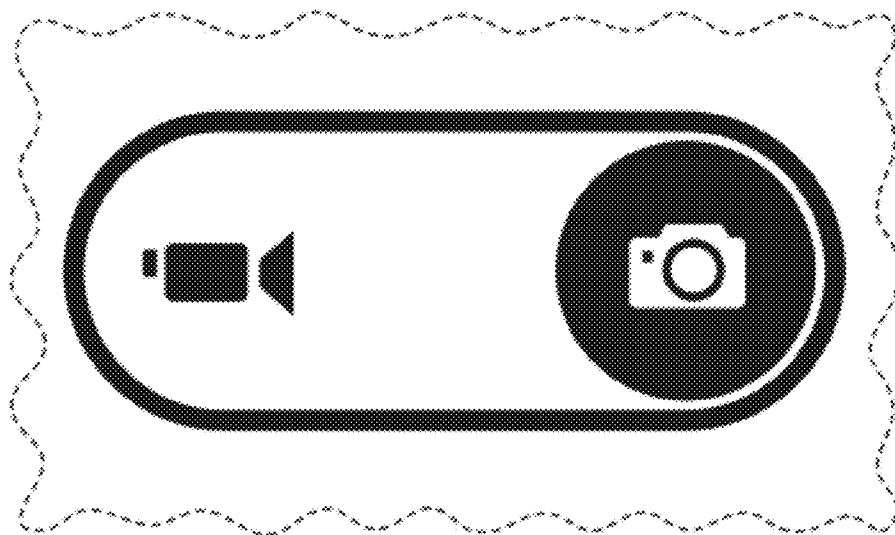


FIG. 2