



US00D891396S

(12) **United States Design Patent**  
**Matthews**

(10) **Patent No.:** **US D891,396 S**

(45) **Date of Patent:** **\*\* Jul. 28, 2020**

- (54) **STELLIA AUDIO HEADSET**
- (71) Applicant: **FOCAL JMLAB**, La Talaudiere (FR)
- (72) Inventor: **Simon Matthews**, London (GB)
- (73) Assignee: **FOCAL JMLAB**, La Talaudiere (FR)
- (\*\*) Term: **15 Years**
- (21) Appl. No.: **29/674,476**
- (22) Filed: **Dec. 21, 2018**
- (30) **Foreign Application Priority Data**

Jun. 28, 2018 (EM) ..... 005328556-001

- (51) **LOC (12) Cl.** ..... **14-01**
- (52) **U.S. Cl.**  
USPC ..... **D14/205**
- (58) **Field of Classification Search**  
USPC ..... D14/205, 188, 192, 219, 216, 215;  
D29/112; 2/209; 181/129, 130, 135;  
379/430, 431; 381/380, 381, 370, 374,  
381/378, 379, 383, 384, 345; 455/90.3,  
455/575.1, 569.1  
CPC .... H04R 1/1066; H04R 1/1016; H04R 5/033;  
H04R 5/0335; H04R 1/10; H04R 1/105;  
H04R 1/1091; H04R 25/00; H04R 25/02  
See application file for complete search history.

(56) **References Cited**

**U.S. PATENT DOCUMENTS**

D185,505 S *	6/1959	Lowell	.....	D14/219
D230,990 S *	3/1974	Kollesberger	.....	D14/228
D246,519 S *	11/1977	Kato	.....	D14/205
D255,352 S *	6/1980	Besacie	.....	D14/205
D319,483 S *	8/1991	Machin	.....	D21/709
D328,299 S *	7/1992	Gasparaitis	.....	D14/219
D345,163 S *	3/1994	Yamatogi	.....	D14/205
D410,466 S *	6/1999	Mouri	.....	D14/205

D415,159 S *	10/1999	Nakano	.....	D14/215
D420,356 S *	2/2000	Suzuki	.....	D14/205
D435,249 S *	12/2000	Yasutomi	.....	D14/205
D459,952 S *	7/2002	Bellander	.....	D7/667
D464,630 S *	10/2002	Woodworth	.....	D13/171
D467,574 S *	12/2002	Suzuki	.....	D14/216
D467,895 S *	12/2002	Hirano	.....	D14/192
D484,485 S *	12/2003	Matsuoka	.....	D14/205
D508,483 S *	8/2005	Suzuki	.....	D14/205
D508,908 S *	8/2005	Chueh	.....	D14/205
D510,335 S *	10/2005	Suzuki	.....	D14/205
D517,527 S *	3/2006	Suzuki	.....	D14/205
D519,495 S *	4/2006	Lum	.....	D14/221
D538,261 S *	3/2007	Taylor	.....	D14/205
D550,204 S *	9/2007	Kaneda	.....	D14/216
D563,947 S *	3/2008	Uehara	.....	D14/216
D567,215 S *	4/2008	Lee	.....	D14/205
7,388,960 B2 *	6/2008	Kuo	.....	H04R 1/1041 379/430

(Continued)

**FOREIGN PATENT DOCUMENTS**

EM	002726174-0001	*	6/2015
EM	002726174-0002	*	6/2015

*Primary Examiner* — Paula Allen Greene

(74) *Attorney, Agent, or Firm* — Burr & Brown, PLLC

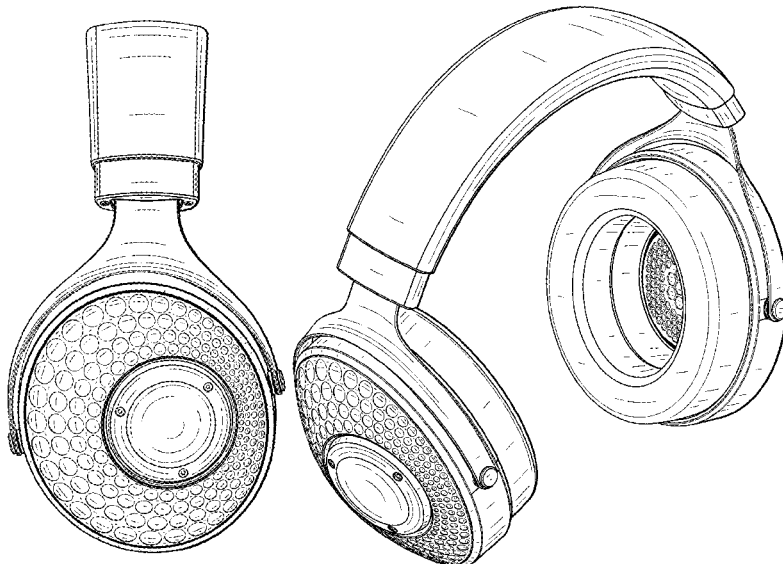
(57) **CLAIM**

The ornamental design for a stellia audio headset, as shown and described.

**DESCRIPTION**

FIG. 1 is a front view of a stellia audio headset illustrating my new design;  
 FIG. 2 is a rear view thereof;  
 FIG. 3 is a left side view thereof;  
 FIG. 4 is a right side view thereof;  
 FIG. 5 is a top view thereof;  
 FIG. 6 is a bottom view thereof; and,  
 FIG. 7 is a front perspective view thereof.

**1 Claim, 7 Drawing Sheets**



(56)

References Cited

U.S. PATENT DOCUMENTS

D591,267 S *	4/2009	Files	D12/114	D765,056 S *	8/2016	Yang	D14/205
D592,640 S *	5/2009	Tkachuk	D14/205	D770,415 S *	11/2016	Pellisari	D14/216
D598,898 S *	8/2009	Davidson	D14/215	D782,995 S *	4/2017	Matthews	D14/205
D604,266 S *	11/2009	Milde	D14/205	D783,572 S *	4/2017	Matthews	D14/205
D629,370 S *	12/2010	Sheppard	D14/125	D784,956 S *	4/2017	Homewood	D14/205
D636,760 S *	4/2011	Cheng	D14/216	D795,218 S *	8/2017	Ohmachi	D14/205
D637,176 S *	5/2011	Brunner	D14/205	D803,811 S *	11/2017	Katsuno	D14/216
D643,022 S *	8/2011	Hou	D14/216	D811,364 S *	2/2018	Park	D14/205
D657,776 S *	4/2012	Lee	D14/205	D817,303 S *	5/2018	Tragatschnig	D14/205
D662,490 S *	6/2012	McSweyn	D14/205	D826,895 S *	8/2018	Sharp	D14/205
D673,519 S *	1/2013	Tan	D14/205	D828,326 S *	9/2018	Ye	D14/205
D673,520 S *	1/2013	Tan	D14/205	D834,260 S *	11/2018	Garcia Mansilla	D29/112
D677,647 S *	3/2013	Lee	D14/205	D851,057 S *	6/2019	Nam	D14/203.7
D689,843 S *	9/2013	Lee	D14/205	D852,168 S *	6/2019	Zhou	D14/205
D690,284 S *	9/2013	Brennwald	D14/205	D852,776 S *	7/2019	Zhu	D14/205
D691,579 S *	10/2013	Lee	D14/205	D852,777 S *	7/2019	Park	D14/206
D692,410 S *	10/2013	Brunner	H04R 1/1008	D866,517 S *	11/2019	Wakasa	D14/216
			D14/206	D871,367 S *	12/2019	Zhijun	D14/205
D693,791 S *	11/2013	Troy	D14/205	2008/0037816 A1 *	2/2008	Lee	H04R 5/0335
D696,226 S *	12/2013	Brunner	H04R 1/1008				381/379
			D14/205	2008/0069391 A1 *	3/2008	Steyn	H04R 1/1091
D716,760 S *	11/2014	Brunner	D14/206				381/371
D725,078 S *	3/2015	Wong	D14/216	2009/0279729 A1 *	11/2009	Huang	H04R 1/1016
D728,512 S *	5/2015	Nakagawa	D14/205				381/345
D730,872 S *	6/2015	Wan	D14/216	2012/0076330 A1 *	3/2012	Cohen	H04R 1/005
D734,296 S *	7/2015	Paterson	D14/205				381/191
D737,249 S *	8/2015	Zhao	D14/216	2013/0177195 A1 *	7/2013	Sze	H04R 1/1033
D746,790 S *	1/2016	Strasberg	D14/205				381/384
D752,017 S *	3/2016	Daniel	D14/205	2013/0343591 A1 *	12/2013	Brunner	H04R 1/1066
D765,055 S *	8/2016	Hsieh	D14/205				381/371
				2016/0212519 A1 *	7/2016	Henderson	H04R 5/0335

\* cited by examiner

FIG. 1



FIG. 2



FIG. 3

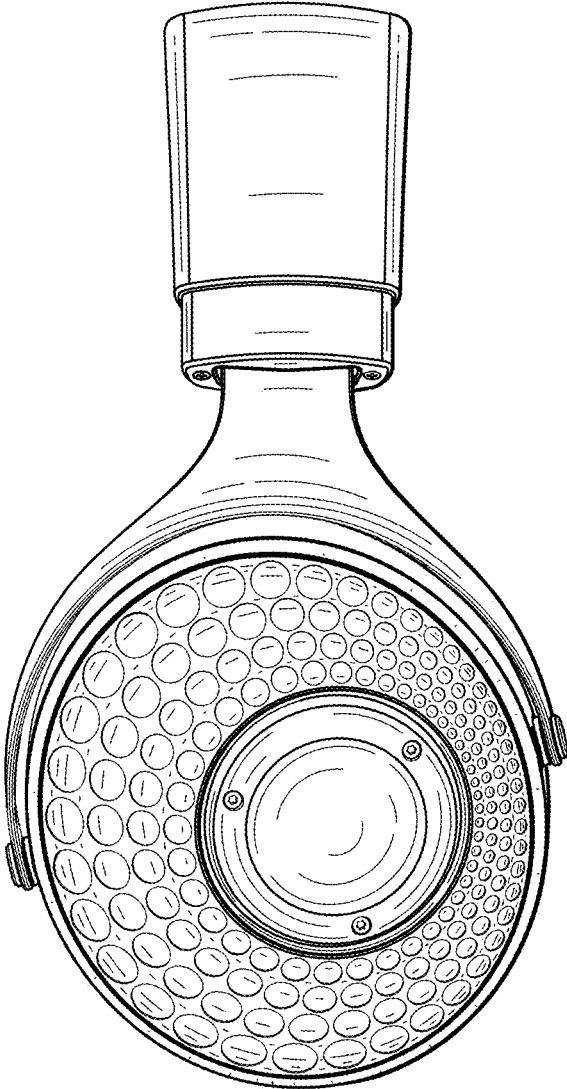


FIG. 4

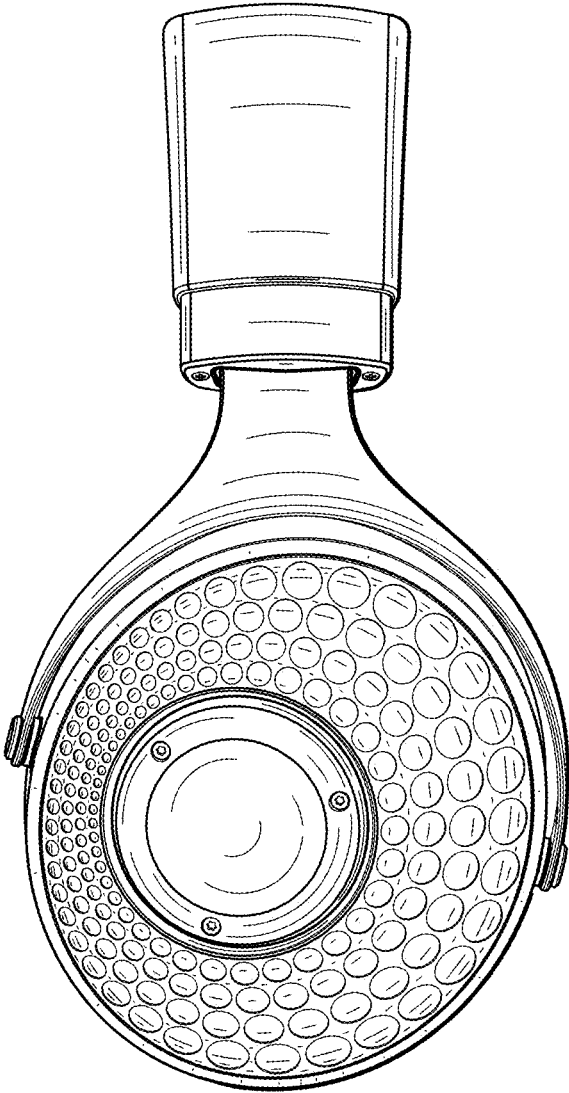


FIG. 5

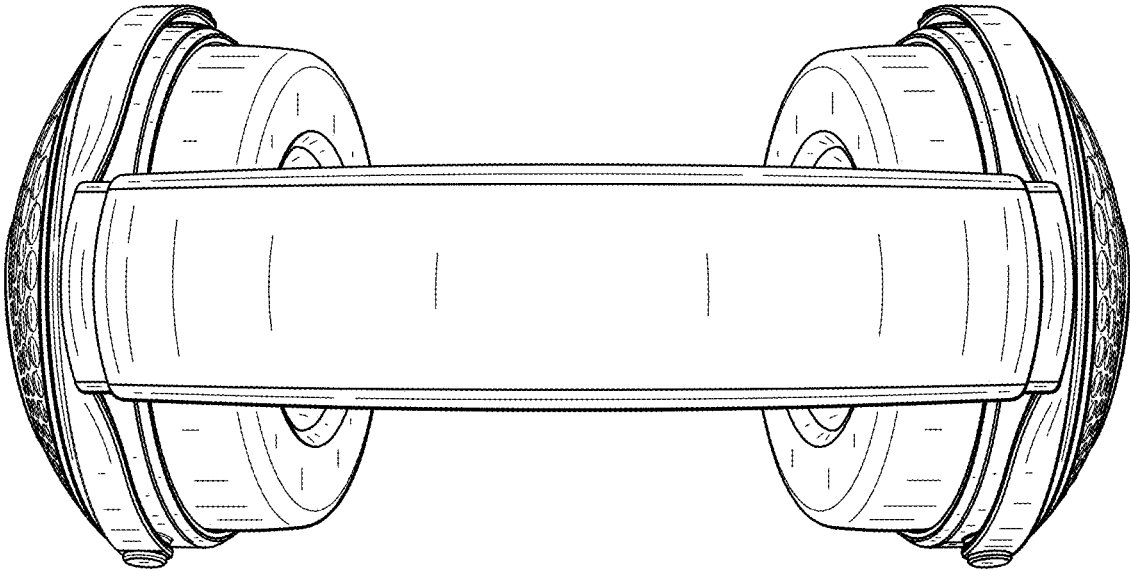


FIG. 6

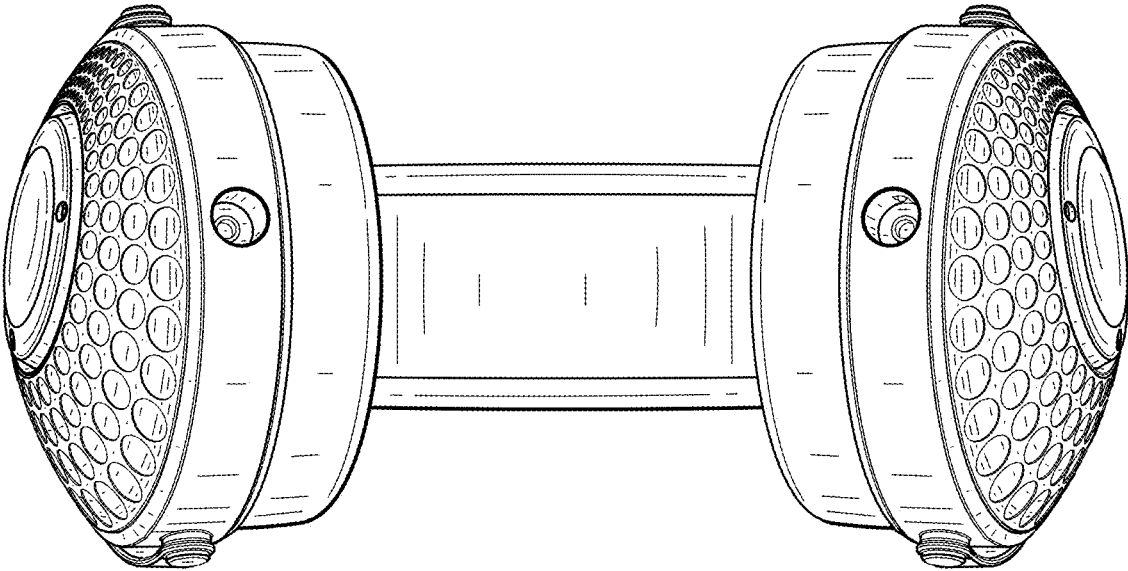




FIG. 7

