



US00D794372S

(12) **United States Design Patent**
Lin

(10) **Patent No.:** **US D794,372 S**

(45) **Date of Patent:** **** Aug. 15, 2017**

(54) **COLLAPSIBLE CHAIR FRAME**

(71) Applicant: **Zhuhai Shichang Metals, Ltd.**, Zhuhai (CN)

(72) Inventor: **ChenKang Lin**, Kaonsiung (TW)

(73) Assignee: **Zhuhai Shichang Metals Ltd.**, Zhuhai (CN)

(**) Term: **15 Years**

(21) Appl. No.: **29/585,772**

(22) Filed: **Nov. 29, 2016**

(51) **LOC (10) Cl.** **06-01**

(52) **U.S. Cl.**
USPC **D6/716; D6/368**

(58) **Field of Classification Search**
USPC D6/334-336, 368, 371-373, 374, 376, D6/379, 380, 716, 716.1, 716.2, 716.3, D6/716.4
CPC .. A47C 3/04; A47C 3/045; A47C 4/00; A47C 4/03; A47C 4/04; A47C 4/08; A47C 4/14; A47C 4/18; A47C 4/20; A47C 4/24; A47C 5/04

See application file for complete search history.

(56) **References Cited**

U.S. PATENT DOCUMENTS

D107,545	S *	12/1937	O'Connor	D6/368
2,458,095	A *	1/1949	O'Connor	A47C 4/24 297/452.18
2,757,715	A	8/1956	Hendrickson		
3,094,357	A *	6/1963	Shwayder	A47C 4/24 297/452.1
5,096,256	A	3/1992	Stanfield		
5,634,684	A	6/1997	Kojima et al.		
5,718,474	A	2/1998	Kojima et al.		
5,738,408	A	4/1998	Wu		
D435,977	S *	1/2001	Ambasz	D6/368

D458,468	S *	6/2002	Levrangi	D6/376
6,669,281	B1	12/2003	Huang		
D504,254	S *	4/2005	Yang	D6/716
D506,325	S *	6/2005	Farber	D6/368
D534,019	S	12/2006	Lu et al.		
7,219,955	B2	5/2007	Lu et al.		

(Continued)

OTHER PUBLICATIONS

MightyLite: Durability by Design—Mesh One Folding Chair; Informational brochure; pp. 1-4.

(Continued)

Primary Examiner — Mimoso De

(74) *Attorney, Agent, or Firm* — Luedeka Neely Group PC

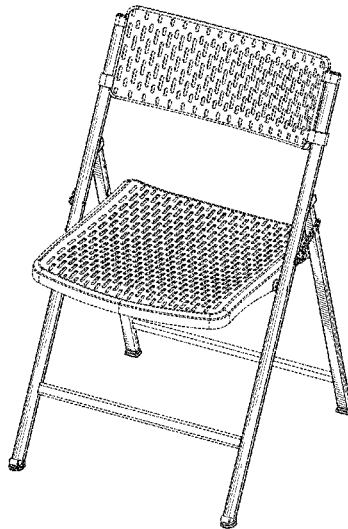
(57) **CLAIM**

The ornamental design for a collapsible chair frame, as shown and described.

DESCRIPTION

FIG. 1 is a top perspective view of the collapsible chair frame;
 FIG. 2 is a bottom perspective view of the collapsible chair frame;
 FIG. 3 is a front elevation view of the collapsible chair frame;
 FIG. 4 is a rear elevation view of the collapsible chair frame;
 FIG. 5 is a right side elevation view of the collapsible chair frame;
 FIG. 6 is a left side elevation view of the collapsible chair frame;
 FIG. 7 is a top plan view of the collapsible chair frame; and,
 FIG. 8 is a bottom plan view of the collapsible chair frame.
 The broken lines shown in the figures are included for the purpose of illustrating environment only and form no part of the claimed design.

1 Claim, 8 Drawing Sheets



(56)

References Cited

U.S. PATENT DOCUMENTS

D544,225 S * 6/2007 Cantarutti D6/368
7,293,826 B2 11/2007 Lu et al.
7,513,567 B2 4/2009 Huang
D599,127 S * 9/2009 Smith D6/368
D603,196 S * 11/2009 Su D6/716.4
8,029,059 B2 10/2011 Smith et al.
D647,718 S * 11/2011 Chen D6/368
D648,554 S * 11/2011 Smith D6/368
D653,471 S * 2/2012 Chan D6/368
D655,932 S * 3/2012 Ashby D6/368
D667,649 S * 9/2012 Waite A47C 4/20
D6/368
D710,623 S * 8/2014 Peery D6/368
D721,528 S * 1/2015 Peery D6/368
D756,695 S * 5/2016 Hurford D6/716.4
D767,321 S * 9/2016 Xingchang D6/716.4

OTHER PUBLICATIONS

MightyLite: Durability by Design—OneSeries Pro Folding Chair;
Informational brochure; pp. 1-4.

* cited by examiner

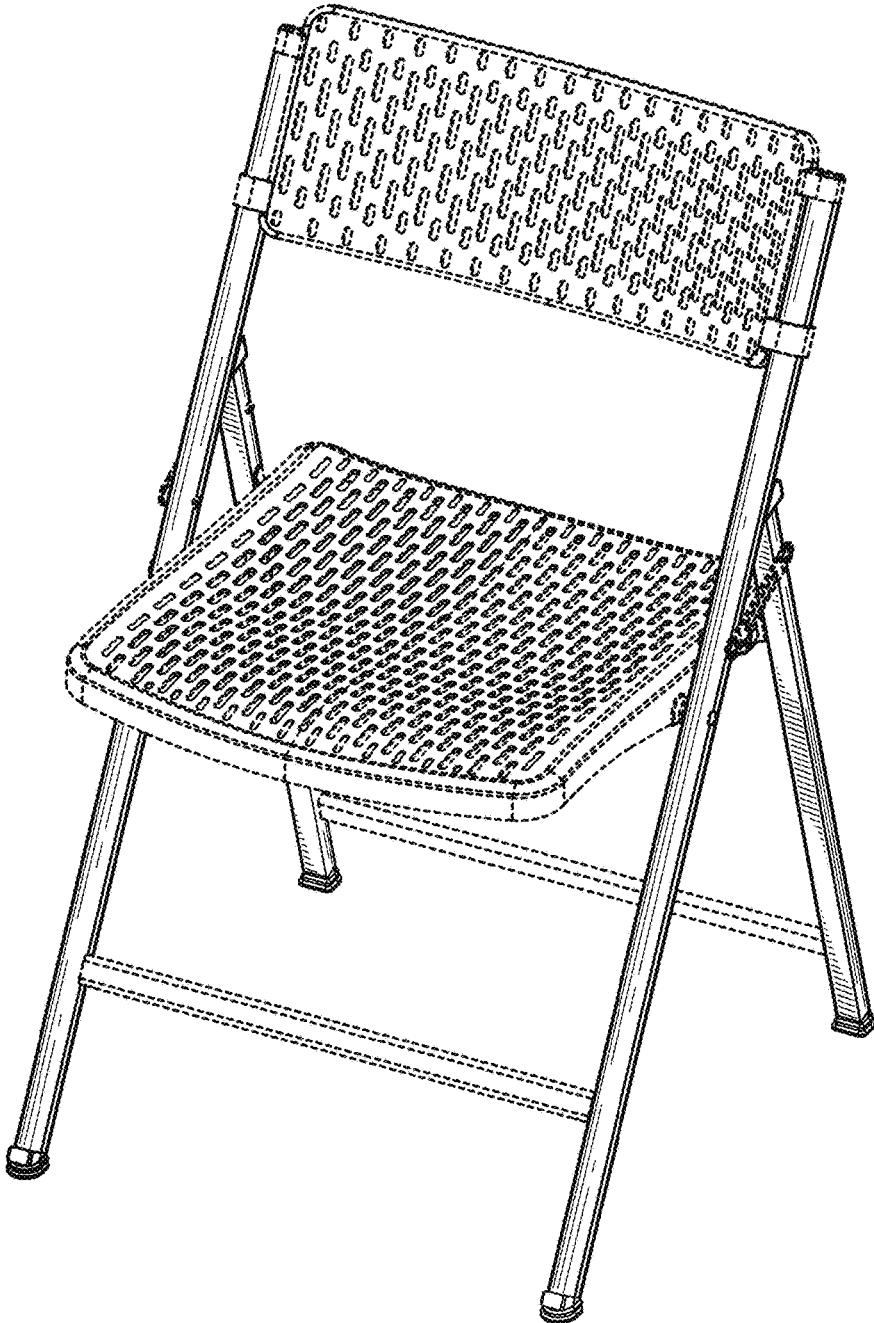


FIG. 1

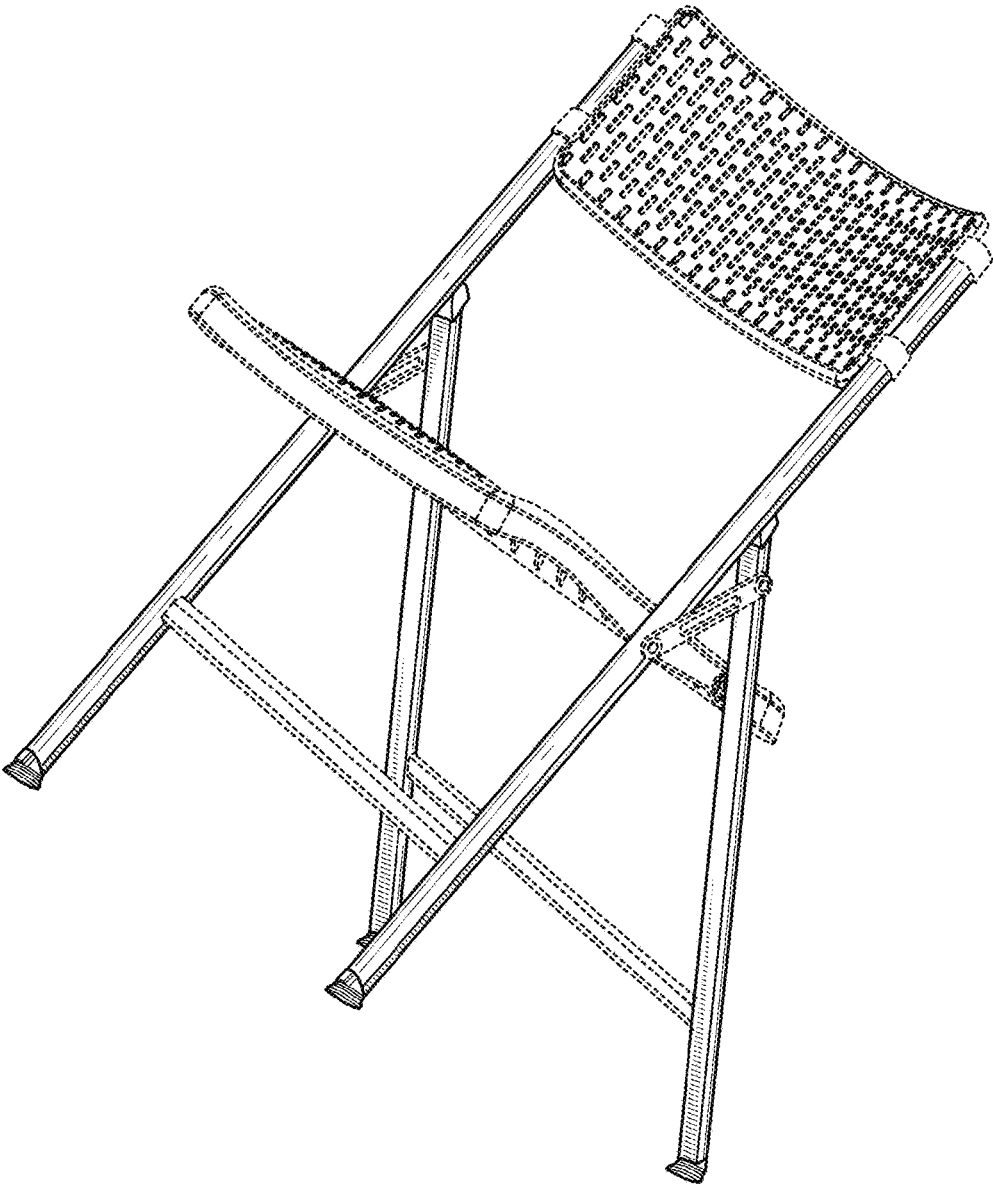


FIG. 2

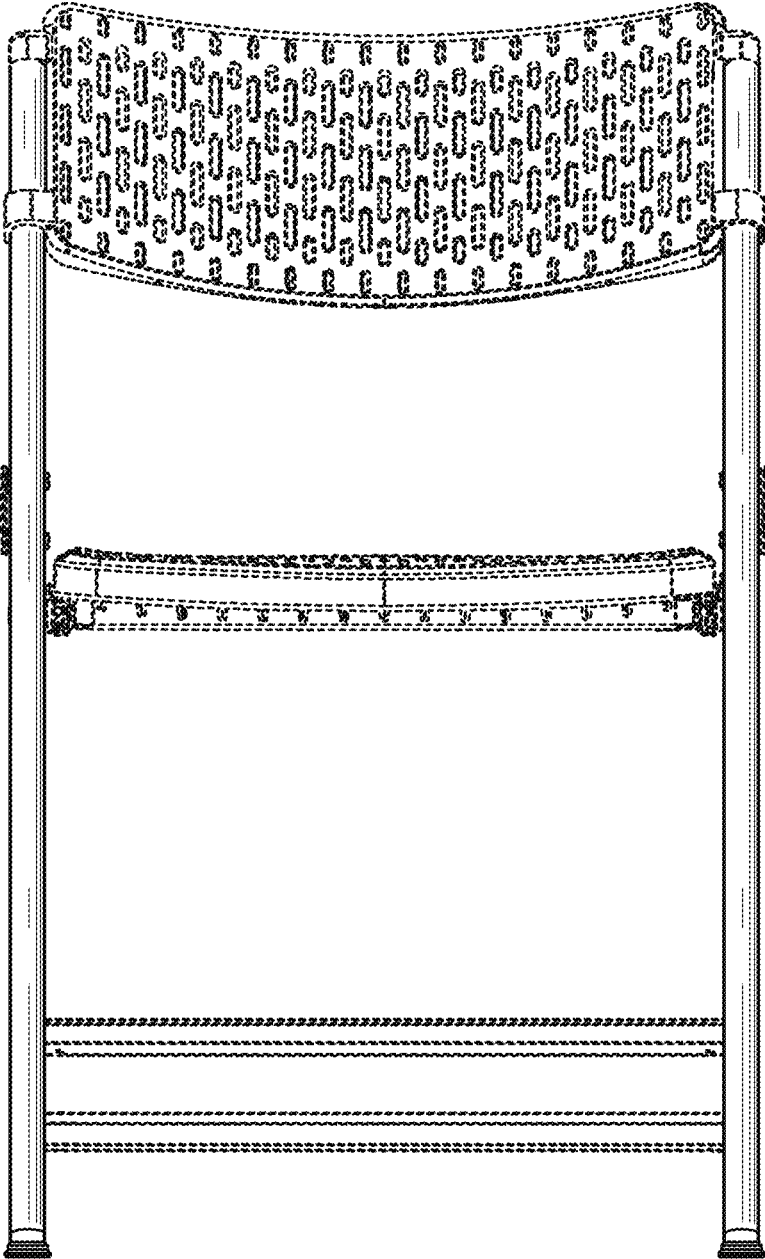


FIG. 3

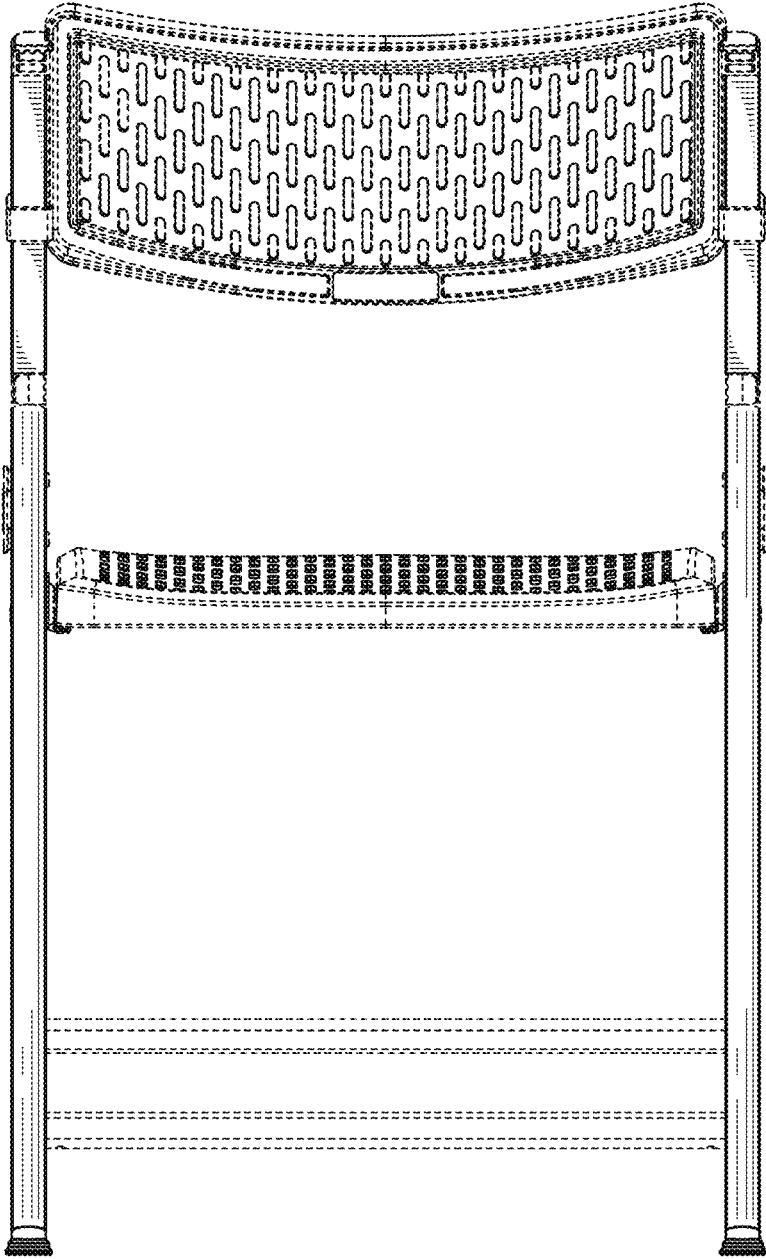


FIG. 4

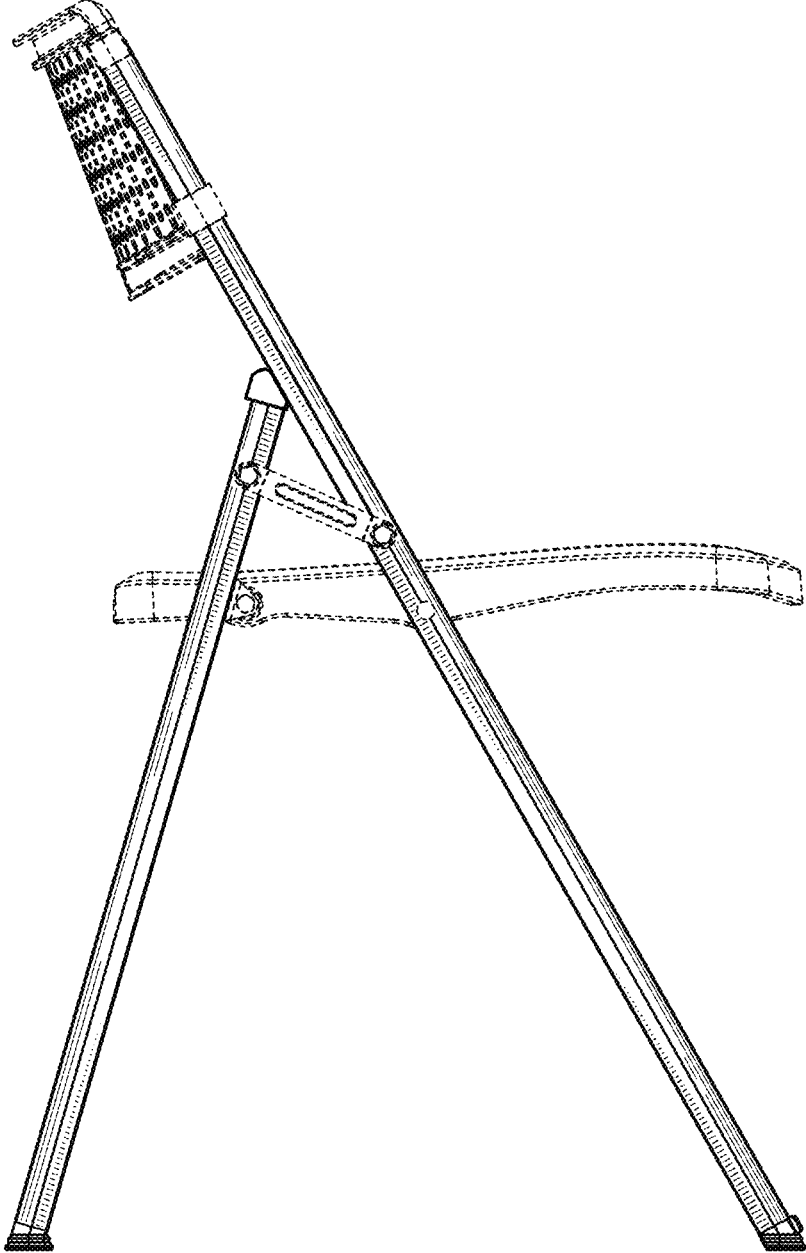


FIG. 5

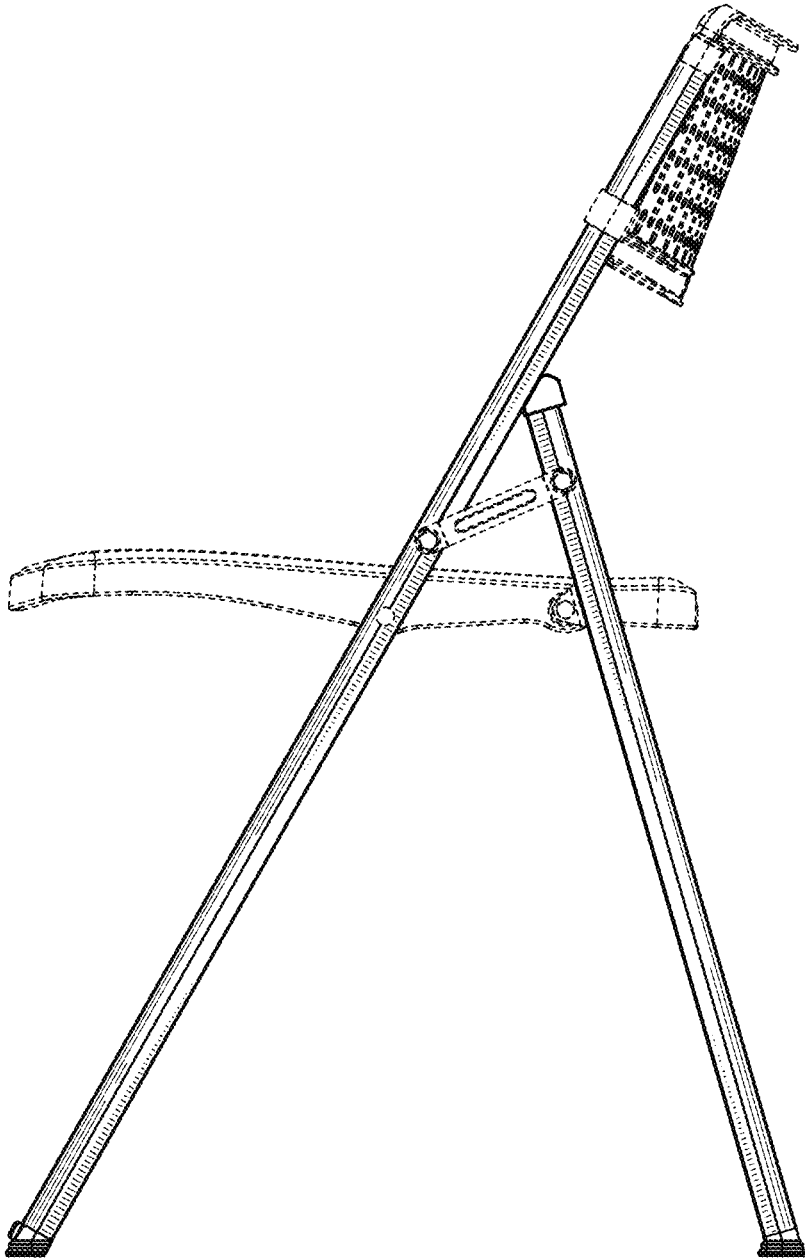


FIG. 6

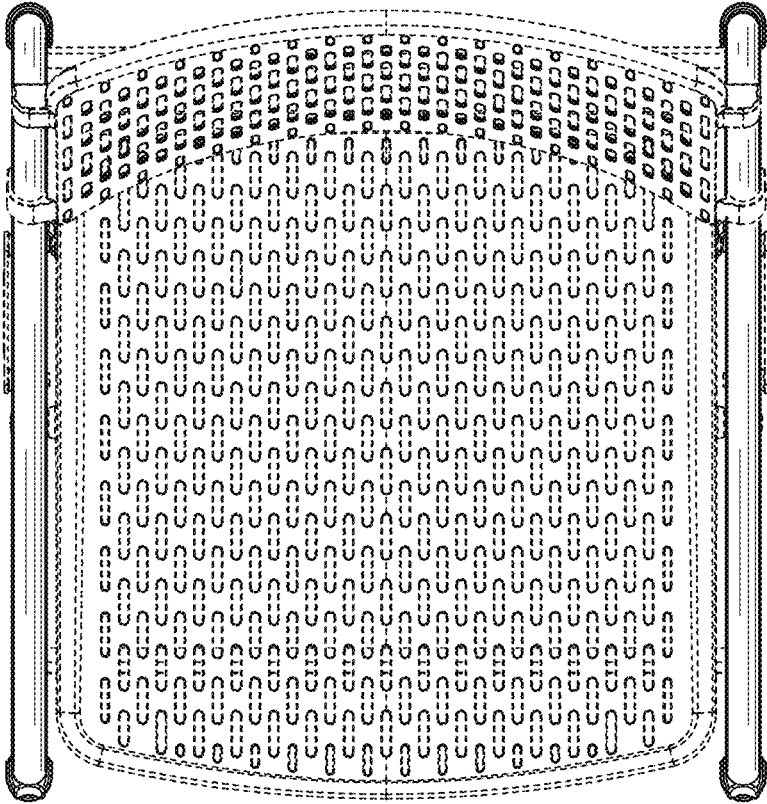


FIG. 7

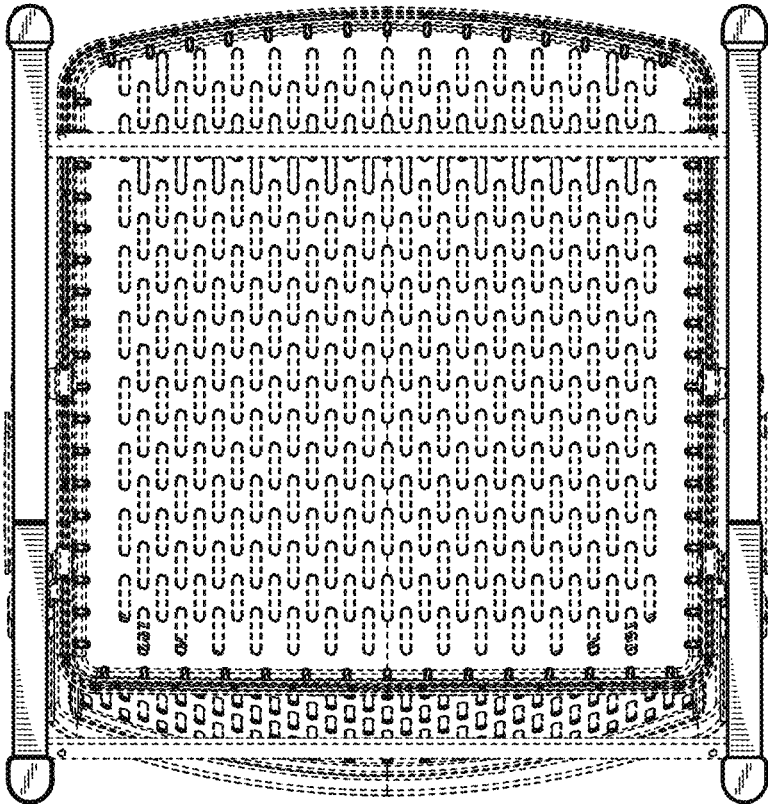


FIG. 8