

(19) World Intellectual Property Organization
International Bureau



(43) International Publication Date
12 April 2007 (12.04.2007)

PCT

(10) International Publication Number
WO 2007/040296 A1

(51) International Patent Classification:
G09F 3/10 (2006.01)

[KR/KR]; 4/1, 558-2 Yongdu-dong, Deokyang-gu, Goyang-city, Kyungki-do 412-110 (KR).

(21) International Application Number:
PCT/KR2005/004257

(74) Agent: **Y.P.LEE, MOCK & PARTNERS**; The Cheonghwa Bldg. 1571-18 Seocho-dong, Seocho-gu, Seoul 137-874 (KR).

(22) International Filing Date:
13 December 2005 (13.12.2005)

(81) Designated States (unless otherwise indicated, for every kind of national protection available): AE, AG, AL, AM, AT, AU, AZ, BA, BB, BG, BR, BW, BY, BZ, CA, CH, CN, CO, CR, CU, CZ, DE, DK, DM, DZ, EC, EE, EG, ES, FI, GB, GD, GE, GH, GM, HR, HU, ID, IL, IN, IS, JP, KE, KG, KM, KN, KP, KZ, LC, LK, LR, LS, LT, LU, LV, LY, MA, MD, MG, MK, MN, MW, MX, MZ, NA, NG, NI, NO, NZ, OM, PG, PH, PL, PT, RO, RU, SC, SD, SE, SG, SK, SL, SM, SY, TJ, TM, TN, TR, TT, TZ, UA, UG, US, UZ, VC, VN, YU, ZA, ZM, ZW.

(25) Filing Language: English

(26) Publication Language: English

(30) Priority Data:
20-2005-0028555 6 October 2005 (06.10.2005) KR

(71) Applicant (for all designated States except US): **YOO SA MI CO., LTD.** [KR/KR]; 518-1 Munbal-ri, Gyoha-eup, Paju-city, Kyungki-do 413-756 (KR).

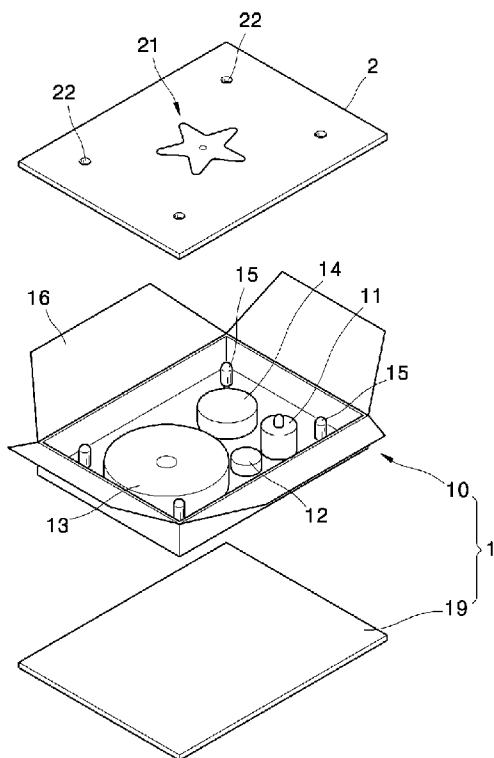
(84) Designated States (unless otherwise indicated, for every kind of regional protection available): ARIPO (BW, GH, GM, KE, LS, MW, MZ, NA, SD, SL, SZ, TZ, UG, ZM, ZW), Eurasian (AM, AZ, BY, KG, KZ, MD, RU, TJ, TM),

(72) Inventor; and

(75) Inventor/Applicant (for US only): **PARK, Young-choon**

[Continued on next page]

(54) Title: ORNAMENTAL STICKER



(57) Abstract: Provided is an ornamental sticker comprising: a plate-shaped body unit having a rear surface to which an adhesive is applied such that the body unit can be adhered to other object; a front surface member that is attached to a front surface of the body unit and has an ornamental part; and a melody generator that is embedded in the body unit, includes an integrated circuit (IC) melody chip, a speaker, and a power source, and is operated by a switch.

WO 2007/040296 A1



European (AT, BE, BG, CH, CY, CZ, DE, DK, EE, ES, FI, FR, GB, GR, HU, IE, IS, IT, LT, LU, LV, MC, NL, PL, PT, RO, SE, SI, SK, TR), OAPI (BF, BJ, CF, CG, CI, CM, GA, GN, GQ, GW, ML, MR, NE, SN, TD, TG).

For two-letter codes and other abbreviations, refer to the "Guidance Notes on Codes and Abbreviations" appearing at the beginning of each regular issue of the PCT Gazette.

Published:

— *with international search report*

Description

ORNAMENTAL STICKER

Technical Field

- [1] The present invention relates to an ornamental sticker, and more particularly, to an ornamental sticker including a melody generator operated by a switch to provide visual and auditory aesthetics.

Background Art

- [2] Ornamental stickers have a surface on which an ornamental part is formed and other surface to which an adhesive is applied. Ornamental stickers are attached to scrapbooks, postcards, or other items for an ornamental purpose.

Disclosure of Invention

Technical Problem

- [3] However, conventional ornamental stickers do not provide other than visual aesthetics.

Technical Solution

- [4] In accordance with an aspect of the present invention, there is provided an ornamental sticker comprising: a plate-shaped body unit having a rear surface to which an adhesive is applied such that the body unit can be adhered to other object; a front surface member that is attached to a front surface of the body unit and has an ornamental part; and a melody generator that is embedded in the body unit, includes an integrated circuit (IC) melody chip, a speaker, and a power source, and is operated by a switch.
- [5] The body unit may comprise: a body in which the melody generator is embedded; and a rear surface member that is attached to a rear surface of the body and is coated with the adhesive.
- [6] Each of the front surface member and the rear surface member may be made of paper and have a plate shape.
- [7] The ornamental sticker may further comprise light emitting diodes (LEDs) embedded in the body unit, wherein light transmission parts are formed in the front surface member to discharge light emitted from the LEDs to the outside of the front surface member.

Advantageous Effects

- [8] The ornamental sticker according to the present invention can provide both visual and auditory aesthetics.

Description of Drawings

- [9] FIG. 1 is an exploded perspective view of an ornamental sticker according to an

embodiment of the present invention.

[10] FIG. 2 is a cross-sectional view of the ornamental sticker of FIG. 1.

[11] FIG. 3 is a perspective view illustrating an example where the ornamental sticker of FIG. 1 is attached to a postcard.

Best Mode

[12] FIG. 1 is an exploded perspective view of an ornamental sticker according to an embodiment of the present invention.

[13] FIG. 2 is a cross-sectional view of the ornamental sticker of FIG. 1.

[14] FIG. 3 is a perspective view illustrating an example where the ornamental sticker of FIG. 1 is attached to a postcard.

[15] The ornamental sticker includes a body unit 1 and a front surface member 2.

[16] The body unit 1 includes a body 10 and a rear surface member 19.

[17] The body 10 is made of a foamed synthetic resin, and has a melody generator and a plurality of light emitting diodes (LEDs) embedded therein.

[18] The body 10 also has a body cover 16. The body cover 16 is closed after the melody generator and the plurality of LEDs 15 are mounted in the body 10.

[19] The melody generator includes a switch 11, an integrated circuit (IC) melody chip 12, a speaker 13, and a power source 14, which are operated by the switch 11.

[20] The switch 11 is a push button switch.

[21] The IC melody chip 12 is a chip in which various melodies to be reproduced are stored.

[22] The speaker 13 through which the melodies stored in the IC melody chip 12 are reproduced should be thin in line with the demand for a thinner ornamental sticker.

[23] The power source 14 supplies power to the IC melody chip 12, the speaker 13, and the LEDs 15. The power source 14 may be a battery, and preferably may be a thin flat disc-shaped mercury battery suitable for a lighter and smaller ornamental sticker.

[24] The rear surface member 19 is made of paper and has a plate shape. A surface of the rear surface member 19 opposite to the body 10 is coated with an adhesive 191 so that the ornamental sticker can be attached to an object to be ornamented.

[25] The front surface member 2 is attached to the body cover 16 of the body 10, and includes an ornamental part and light transmission parts 22. The front surface member 2 is made of paper and has a plate shape.

[26] The ornamental part 21 is made of paper, synthetic resin, or nylon and is formed in a two- or three-dimensional decorative design, such as a flower or heart design, to provide an aesthetic effect.

[27] The light transmission parts 22 through which light emitted from the LEDs 15 are discharged are formed in the front surface member 2, corresponding to the LEDs 15.

[28] The operation and function of the ornamental sticker of FIG. 1 will now be

explained in detail.

- [29] The ornamental sticker is adhered using the adhesive 191 applied to the rear surface member 19 to an item to be ornamented, for example, a postcard as shown in FIG. 3.
- [30] Next, the front surface member 2 is pressed such that the switch 11 embedded in the body 10 is pressed to play a melody stored in the IC melody chip 12 through the speaker 13.
- [31] Examples of the melody stored in the IC melody chip 12 may include a melody used to send messages, such as a birthday song, a popular song, or a favorite song selected by a purchaser.

Mode for Invention

- [32] While the melody is being played through the speaker 13 in the melody generator, light emitted from the LEDs 15 is discharged through the light transmission parts 22 to the outside of the front surface member 2. The LEDs 15 may discharge light continuously or intermittently. The aesthetic effect can be enhanced by varying the on-off time or cycle of the LEDs 15.
- [33] While the present invention has been particularly shown and described with reference to preferred embodiments thereof, it will be understood by those of ordinary skill in the art that various changes in form and details may be made therein without departing from the spirit and scope of the present invention as defined by the following claims.

Industrial Applicability

- [34] This invention can be applied to stationary industries.

Claims

- [1] An ornamental sticker comprising:
a plate-shaped body unit having a rear surface to which an adhesive is applied such that the body unit can be adhered to other object;
a front surface member that is attached to a front surface of the body unit and has an ornamental part; and
a melody generator that is embedded in the body unit, includes an integrated circuit (IC) melody chip, a speaker, and a power source, and is operated by a switch.
- [2] The ornamental sticker of claim 1, wherein the body unit comprises:
a body in which the melody generator is embedded; and
a rear surface member that is attached to a rear surface of the body and is coated with the adhesive.
- [3] The ornamental sticker of claim 2, wherein each of the front surface member and the rear surface member is made of paper and has a plate shape.
- [4] The ornamental sticker of claim 1, further comprising light emitting diodes (LEDs) embedded in the body unit,
wherein light transmission parts are formed in the front surface member to discharge light emitted from the LEDs to the outside of the front surface member.

FIG. 1

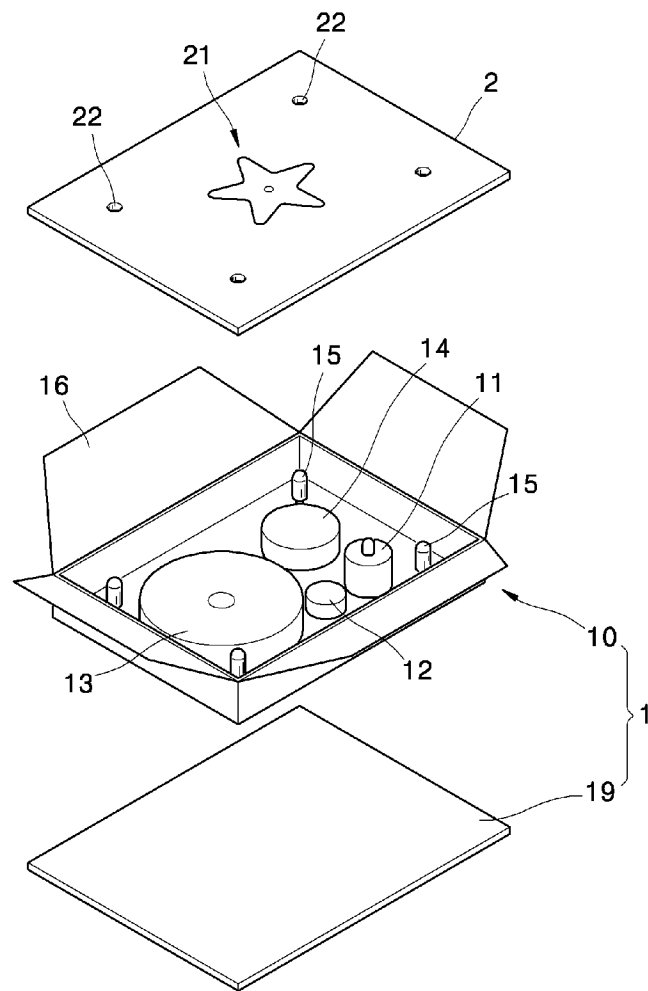


FIG. 2

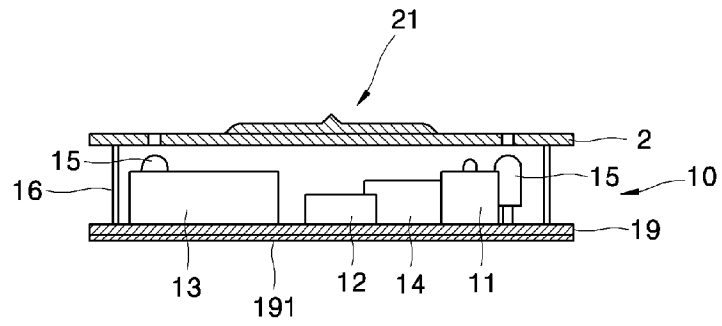
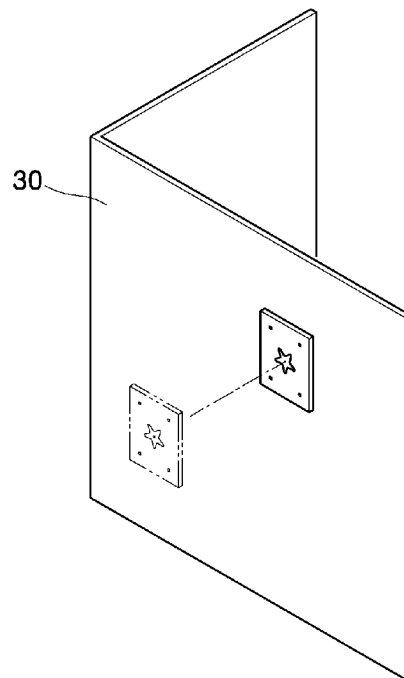


FIG. 3



A. CLASSIFICATION OF SUBJECT MATTER*G09F 3/10(2006.01)i*

According to International Patent Classification (IPC) or to both national classification and IPC

B. FIELDS SEARCHED

Minimum documentation searched (classification system followed by classification symbols)

IPC 8 G09F

Documentation searched other than minimum documentation to the extent that such documents are included in the fields searched

KR.JP : classes as above

Electronic data base consulted during the international search (name of data base and, where practicable, search terms used)

C. DOCUMENTS CONSIDERED TO BE RELEVANT

Category*	Citation of document, with indication, where appropriate, of the relevant passages	Relevant to claim No.
A	US 6481125 B1, (Lawrence N. Pokrasoff), 19 Nov. 2002 (19.11.2002) see the whole document	1-4
A	US 4376347, (Marion E. Thompson), 15 Mar. 1983 (15.03.1983) see the abstract and Fig. 1	1-4
A	US 4889748, (Roger W. Dudley), 26 Dec. 1989 (26.12.1989) see the whole documents	1-4

 Further documents are listed in the continuation of Box C. See patent family annex.

* Special categories of cited documents:

"A" document defining the general state of the art which is not considered to be of particular relevance

"E" earlier application or patent but published on or after the international filing date

"L" document which may throw doubts on priority claim(s) or which is cited to establish the publication date of citation or other special reason (as specified)

"O" document referring to an oral disclosure, use, exhibition or other means

"P" document published prior to the international filing date but later than the priority date claimed

"T" later document published after the international filing date or priority date and not in conflict with the application but cited to understand the principle or theory underlying the invention

"X" document of particular relevance; the claimed invention cannot be considered novel or cannot be considered to involve an inventive step when the document is taken alone

"Y" document of particular relevance; the claimed invention cannot be considered to involve an inventive step when the document is combined with one or more other such documents, such combination being obvious to a person skilled in the art

"&" document member of the same patent family

Date of the actual completion of the international search

29 MAY 2006 (29.05.2006)

Date of mailing of the international search report

30 MAY 2006 (30.05.2006)

Name and mailing address of the ISA/KR

Korean Intellectual Property Office
920 Dunsan-dong, Seo-gu, Daejeon 302-701,
Republic of Korea

Facsimile No. 82-42-472-7140

Authorized officer

LEE, Young Jae

Telephone No. 82-42-481-8305



INTERNATIONAL SEARCH REPORT

Information on patent family members

International application No.

PCT/KR2005/004257

Patent document cited in search report	Publication date	Patent family member(s)	Publication date
US06481125	19. 11. 2002	US6481125B1 US6481125BA	19. 11. 2002 19. 11. 2002
US04376347	15. 03. 1983	US4376347A	15. 03. 1983
US04889748	26. 12. 1989	US4889748A	26. 12. 1989