

- [54] BARBECUE
- [76] Inventor: John H. Scheufler, 3940 Gresham #315, San Diego, Calif. 92109
- [**] Term: 14 Years
- [21] Appl. No.: 241,705
- [22] Filed: Mar. 9, 1981
- [51] Int. Cl. D7-04
- [52] U.S. Cl. D7/335
- [58] Field of Search D7/332, 333, 334, 335, D7/336, 337; 126/25 R, 25 A, 25 AA, 25 B, 25 C, 9 R, 9 A, 9 B

3,765,397 10/1973 Henderson 126/25 B

FOREIGN PATENT DOCUMENTS

1372 of 1915 United Kingdom 126/9 R

Primary Examiner—Wallace R. Burke
Assistant Examiner—Lynn Wilder
Attorney, Agent, or Firm—Brown & Martin

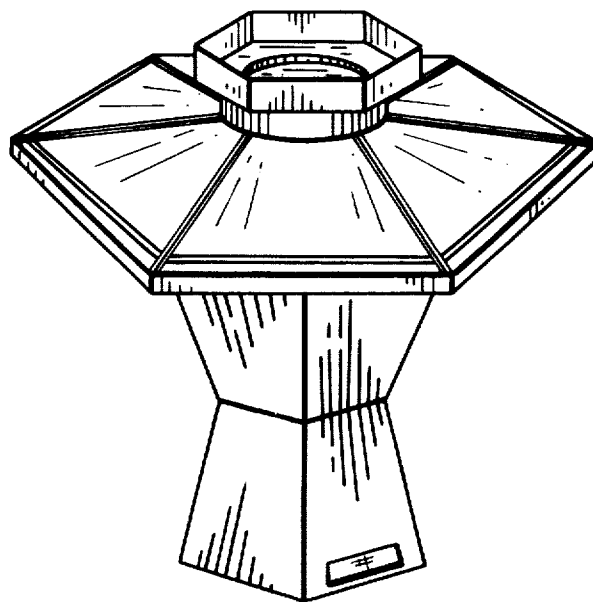
[57] CLAIM

The ornamental design for a barbecue, substantially as shown and described.

DESCRIPTION

FIG. 1 is a perspective view of a barbecue showing my new design;
FIG. 2 is a side elevational view thereof;
FIG. 3 is a top elevational view thereof; and
FIG. 4 is a bottom elevational view thereof.

- [56] **References Cited**
- U.S. PATENT DOCUMENTS
- 971,347 9/1910 Bentley 126/9 B



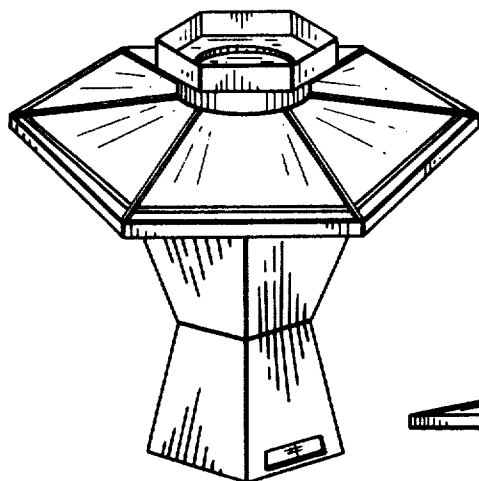


FIG. 1

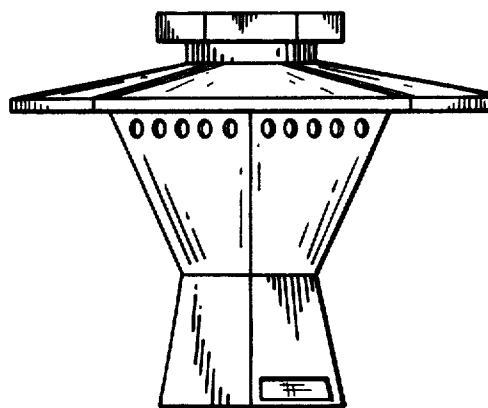


FIG. 2

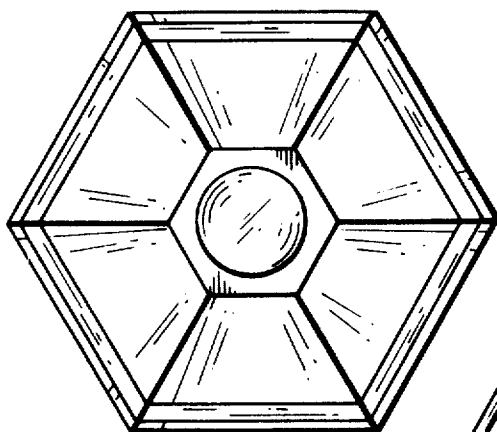


FIG. 3

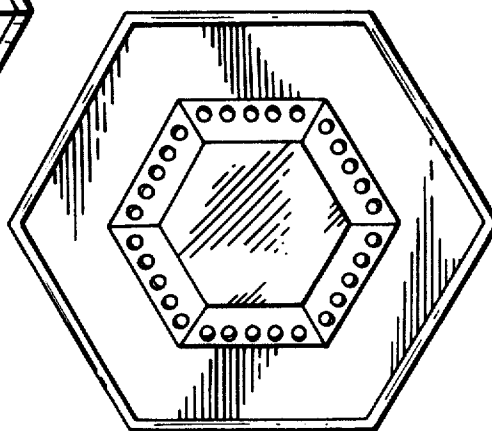


FIG. 4