



US00D350016S

United States Patent [19]

[11] Patent Number: Des. 350,016

Passke et al.

[45] Date of Patent: ** Aug. 30, 1994

[54] **ELEMENT OF A SHOE SOLE**
 [75] Inventors: **Joel L. Passke**, Portland, Oreg.;
David M. Forland, Battle Ground,
 Wash.; **Robert J. Lucas**; **Michael T.**
Donaghu, both of Portland, Oreg.
 [73] Assignee: **Nike, Inc.**, Beaverton, Oreg.
 [**] Term: **14 Years**
 [21] Appl. No.: **12,387**
 [22] Filed: **Sep. 1, 1993**
 [52] U.S. Cl. **D2/946; D2/977**
 [58] **Field of Search** D2/896, 946, 947, 961,
 D2/964, 977; D3/54; 36/25 R, 28, 29, 44, 45,
 83, 84, 89, 102-107, 113, 1 A, 132, 137, 153;
 362/103

[56] **References Cited**
U.S. PATENT DOCUMENTS

D. 117,383 10/1939 Perault .
 D. 296,836 7/1988 Brown et al. .
 D. 297,381 8/1988 Sugiyama .
 D. 300,084 3/1989 Ito et al. .
 D. 300,085 3/1989 Ito et al. .
 D. 316,633 5/1991 Markowitz D3/54
 D. 319,720 9/1991 Selbiger .
 D. 325,288 4/1992 Richard et al. .
 D. 326,766 6/1992 Kittle et al. .
 D. 336,771 6/1993 Hatfield et al. D2/977
 D. 336,772 6/1993 Forland et al. D2/961
 D. 341,478 11/1993 Forland et al. D2/977
 1,435,602 11/1922 Hanson 36/153
 1,517,171 11/1924 Rosenwasser .
 1,910,609 5/1933 Keller .
 1,976,656 10/1934 Clark .
 2,004,906 6/1935 Simister .
 2,080,469 5/1937 Gilbert .
 2,177,116 10/1939 Persichino .
 2,286,495 6/1942 Matteson .
 2,330,398 9/1943 Vass .
 2,557,663 6/1951 Knode 362/103 X
 3,160,963 12/1964 Aaskov .
 3,946,505 3/1976 Dana, III 36/137 X
 4,014,115 3/1977 Reichert 36/137
 4,317,293 3/1982 Single et al. 36/43
 4,442,612 4/1984 Hauser 36/43
 4,445,283 5/1984 Meyers 36/29
 4,471,538 9/1984 Pomeranz et al. 36/28
 4,486,964 12/1984 Rudy 36/28
 4,499,672 2/1985 Kim 36/29 X
 4,593,482 6/1986 Mayer 36/28 X

4,747,219 5/1988 Ammendolea 36/28
 4,768,295 9/1988 Ito 36/28
 4,782,603 11/1988 Brown 36/29
 4,817,304 4/1989 Parker et al. 36/114
 4,852,274 8/1989 Wilson 36/29
 4,862,604 9/1989 Hauser 36/43
 4,906,502 3/1990 Rudy 36/29 X
 4,912,861 4/1990 Huang 36/29
 4,914,836 4/1990 Horowitz 36/28
 4,936,029 1/1990 Rudy 36/29
 4,962,593 10/1990 Brown 36/44
 4,970,807 11/1990 Anderie et al. 36/28
 4,972,611 11/1990 Swartz et al. 36/28
 4,991,317 2/1991 Lakic 36/44
 5,005,300 4/1991 Diaz et al. 36/114
 5,042,176 8/1991 Rudy 36/29
 5,131,174 7/1992 Drew et al. 36/29 X
 5,188,447 2/1993 Chiang et al. 36/137 X
 5,195,256 3/1993 Kim 36/28 X

FOREIGN PATENT DOCUMENTS

83999 7/1957 Denmark .
 0198951 10/1985 European Pat. Off. .
 0335467 3/1989 European Pat. Off. .
 798246 9/1935 France .
 2614510 4/1987 France .
 454529 10/1936 United Kingdom .
 2183446 6/1987 United Kingdom .
 2188825 10/1987 United Kingdom .

OTHER PUBLICATIONS

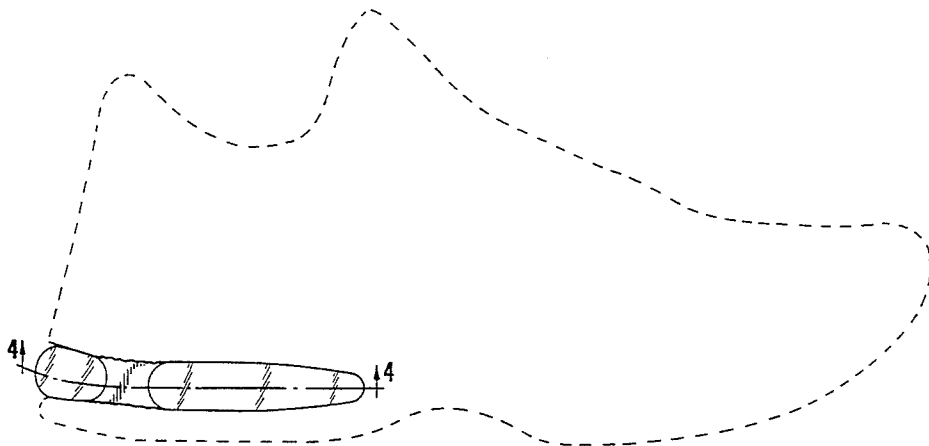
Exhibits A-G, Photographs of Bladders (date unknown).
Primary Examiner—Louis S. Zarfaz
Attorney, Agent, or Firm—Banner, Birch, McKie & Beckett
 [57]

CLAIM

The ornamental design for an element of a shoe sole, as shown and described.

DESCRIPTION

FIG. 1 is a right side elevational view of an element of a shoe sole showing our new design;
 FIG. 2 is a left side elevational view thereof;
 FIG. 3 is a rear elevational view thereof; and,
 FIG. 4 is a cross-section taken along the line 4-4 of FIG. 1.
 The broken line showing of a shoe in FIGS. 1-3 is for illustrative purposes only and forms no part of the claimed design.



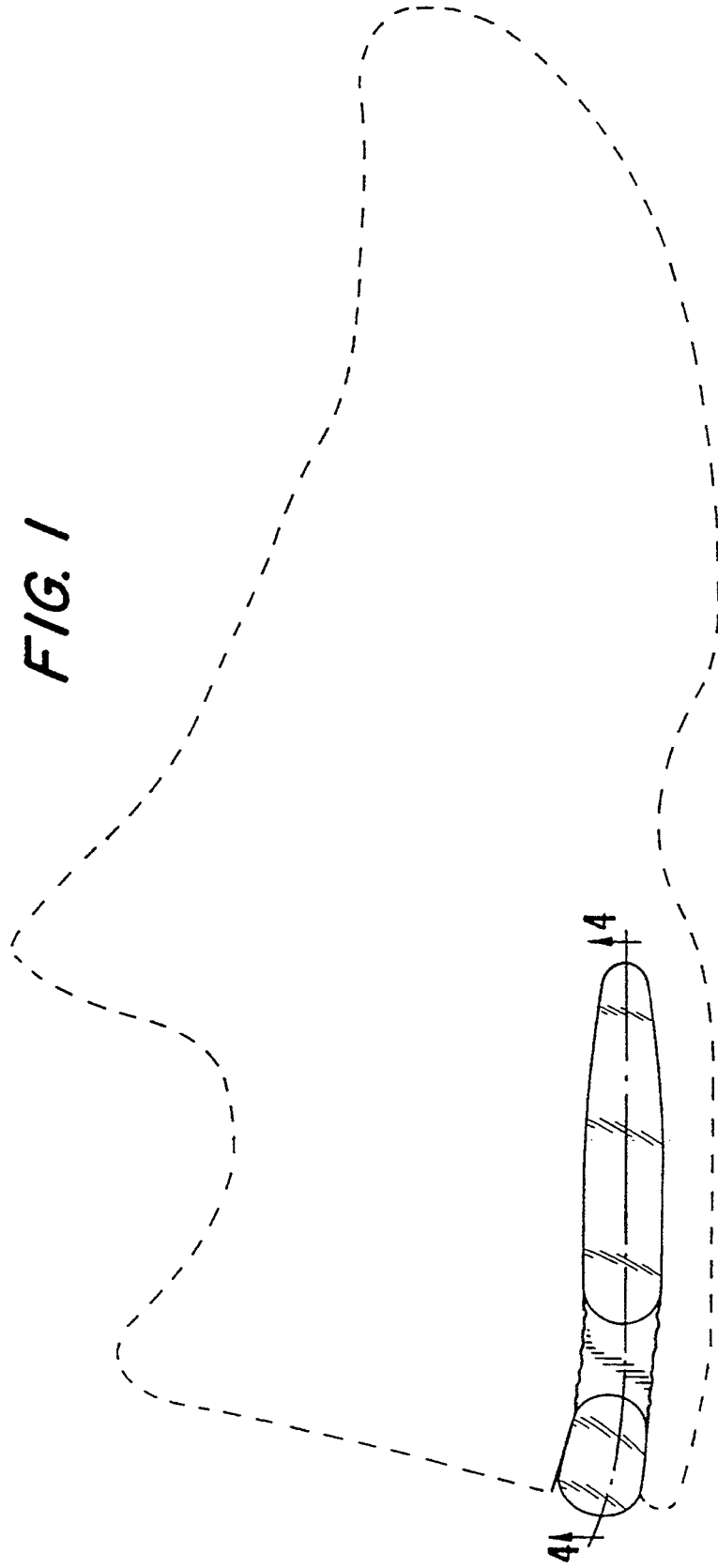


FIG. 1

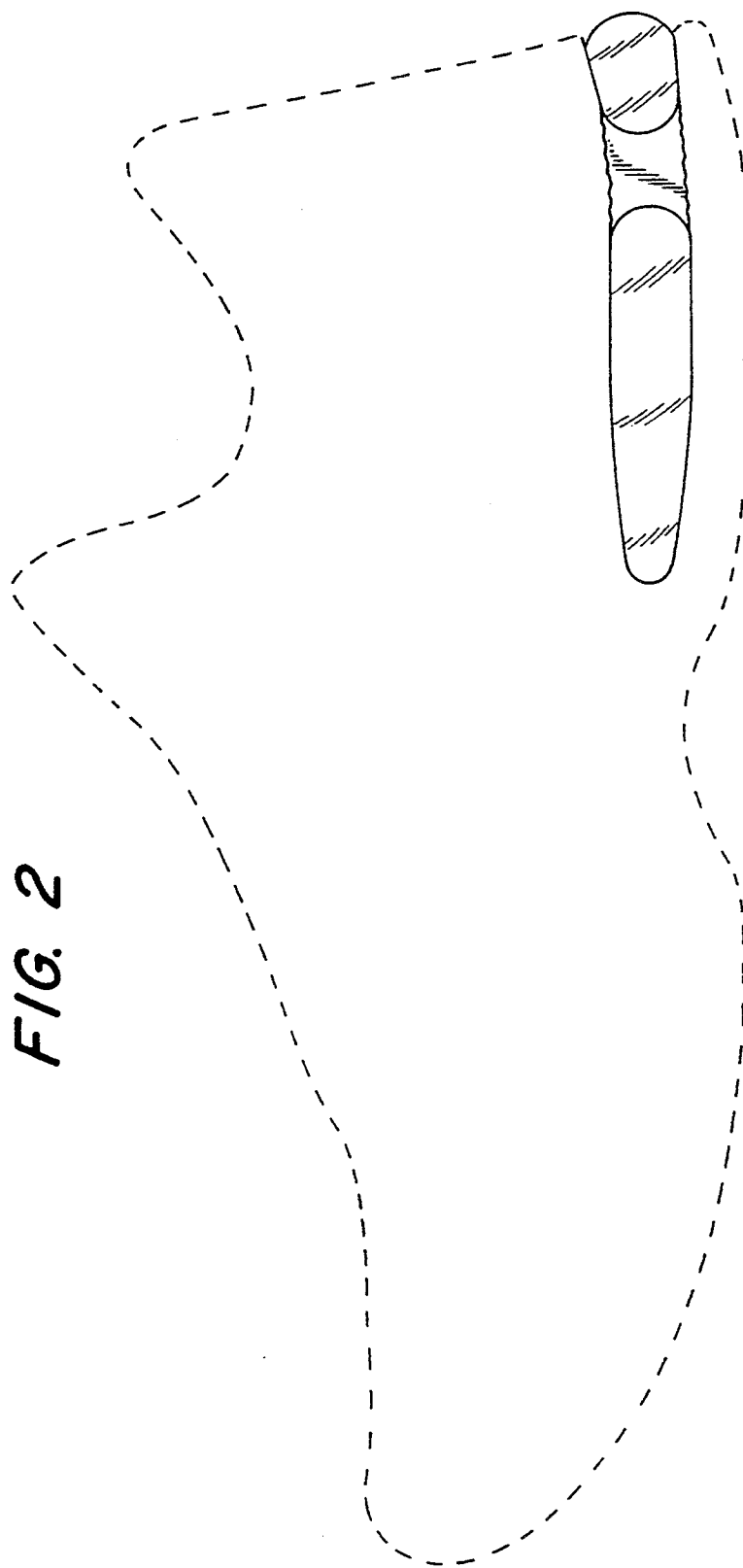


FIG. 2

FIG. 3

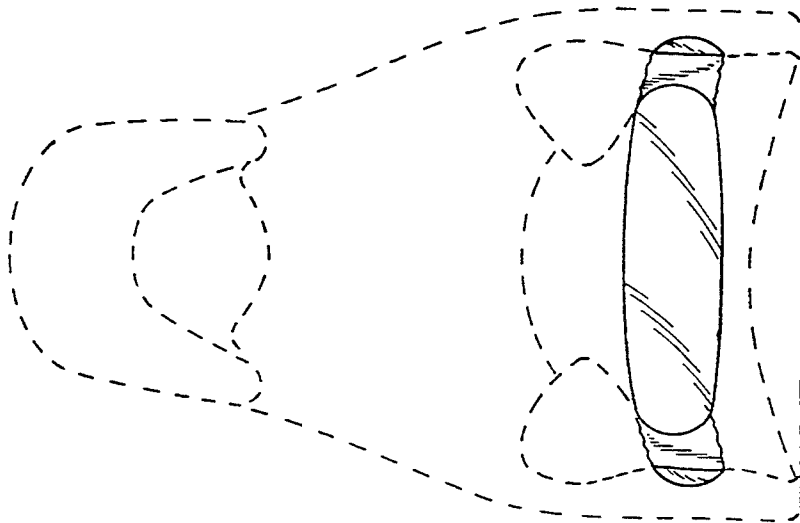


FIG. 4

