



US00D366113S

United States Patent [19] Morgan

[11] **Patent Number:** **Des. 366,113**
[45] **Date of Patent:** ****Jan. 9, 1996**

[54] **IMPLANTABLE BONE TACK**
[75] Inventor: **Frank H. Morgan**, Las Vegas, Nev.
[73] Assignee: **TiMesh, Inc.**, Las Vegas, Nev.
[**] Term: **14 Years**
[21] Appl. No.: **6,979**
[22] Filed: **Apr. 12, 1993**
[52] U.S. Cl. **D24/145; D8/391; D11/222**
[58] **Field of Search** **D24/145, 146;**
24/94, 95, 92, 90 C, 90 E; 606/67, 72,
73, 77, 54, 86, 188; D11/222, 226, 227,
228

4,653,486 3/1987 Coker 606/67 X
4,662,034 5/1987 Cunningham 24/94 X
4,928,362 5/1990 Collas et al. 24/94 X
4,986,829 1/1991 Blomdahl 606/188
5,013,316 5/1991 Goble et al. D24/145 X
5,261,914 11/1993 Warren 606/72 X

Primary Examiner—Stella Reid
Assistant Examiner—I. Simmons
Attorney, Agent, or Firm—Philip D. Junkins

[57] **CLAIM**

The ornamental design for an implantable bone tack, as shown and described.

DESCRIPTION

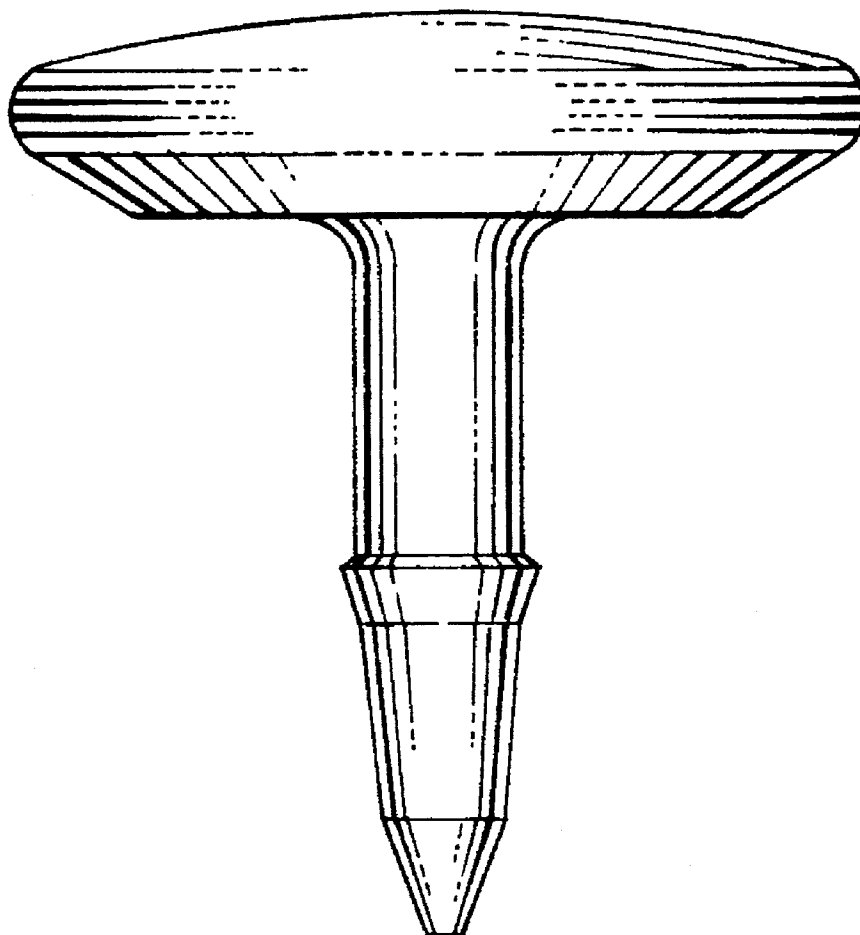
FIG. 1 is a front elevation view of an implantable bone tack showing my new design, the side and rear elevation views thereof being identical;

FIG. 2 is a top view thereof; and,

FIG. 3 is a bottom view thereof.

[56] **References Cited**
U.S. PATENT DOCUMENTS
D. 25,136 2/1896 Shuman D11/226
D. 324,649 3/1992 Lederhaus, Jr. D8/391
D. 344,252 2/1994 Choi D11/222
3,725,980 4/1973 Burgio 24/90 E X

1 Claim, 1 Drawing Sheet



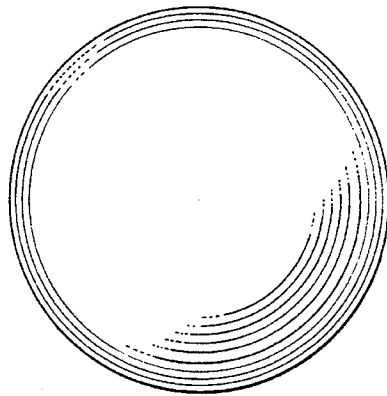


FIG. 2.

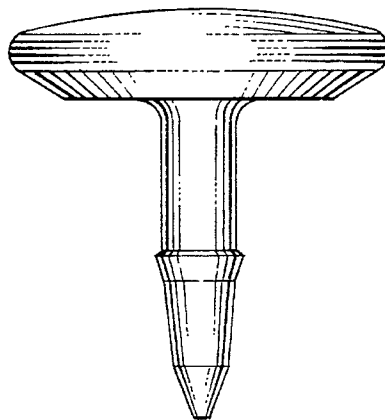


FIG. 1.

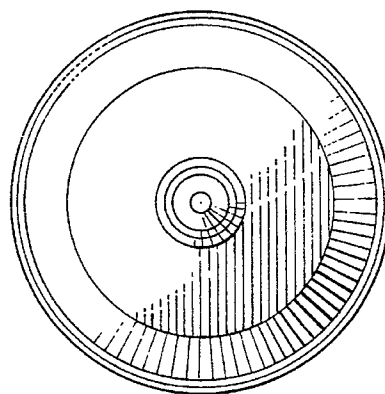


FIG. 3.