



US00D568719S

(12) **United States Design Patent**
Gorin et al.

(10) **Patent No.:** **US D568,719 S**

(45) **Date of Patent:** **** May 13, 2008**

(54) **WALL PLATE WITH RECESSED CABLE ENTRY AND POWER CONNECTION**

(75) Inventors: **Thomas Michael Gorin**, Atlanta, GA (US); **James Loye Hutchinson**, Dallas, GA (US)

(73) Assignee: **Data :) Comm Electronics, Inc.**, Norcross, GA (US)

(**) Term: **14 Years**

(21) Appl. No.: **29/282,345**

(22) Filed: **Jul. 17, 2007**

(51) **LOC (8) Cl.** **11-05**

(52) **U.S. Cl.** **D8/353**

(58) **Field of Classification Search** D8/350-353;
D10/108, 123, 125; D13/156, 158, 162, D13/169, 171, 174, 177, 184; 200/304, 330; 250/462, 462.1; 220/241; 174/66, 67; 439/101; 40/729, 732; 248/56

See application file for complete search history.

(56) **References Cited**

U.S. PATENT DOCUMENTS

D126,098 S	3/1941	McIntosh	
D286,739 S *	11/1986	Larsson	D8/353
4,688,747 A	8/1987	Helmsdorfer et al.	
D321,557 S	11/1991	Bezick et al.	
D350,278 S *	9/1994	Figuroa	D8/353
D369,953 S *	5/1996	Carr	D8/353
D370,890 S	6/1996	Tiberio, Jr.	
D379,797 S	6/1997	Arnett	
5,645,449 A *	7/1997	Sabo	439/540.1
5,664,955 A	9/1997	Arnett	

D411,734 S *	6/1999	Hsiang	D8/353
D430,149 S	8/2000	Afshar-Ghochani	
D495,301 S *	8/2004	Newell	D13/152
D502,386 S	3/2005	Provenzano et al.	
D503,156 S	3/2005	Provenzano	
6,932,624 B1 *	8/2005	Hoopes et al.	439/76.1
D554,475 S *	11/2007	Gorin et al.	D8/353

* cited by examiner

Primary Examiner—Stella M. Reid

Assistant Examiner—Mark Goodwin

(74) *Attorney, Agent, or Firm*—Thomas, Kayden, Horstemeyer & Risley, LLP

(57) **CLAIM**

The ornamental design for a wall plate with recessed cable entry and power connection, as shown and described.

DESCRIPTION

FIG. 1 is a perspective view of the wall plate with recessed cable entry and power connection, showing the front of the plate;

FIG. 2 is a front elevational view thereof;

FIG. 3 is a back elevational view thereof;

FIG. 4 is a left side view thereof;

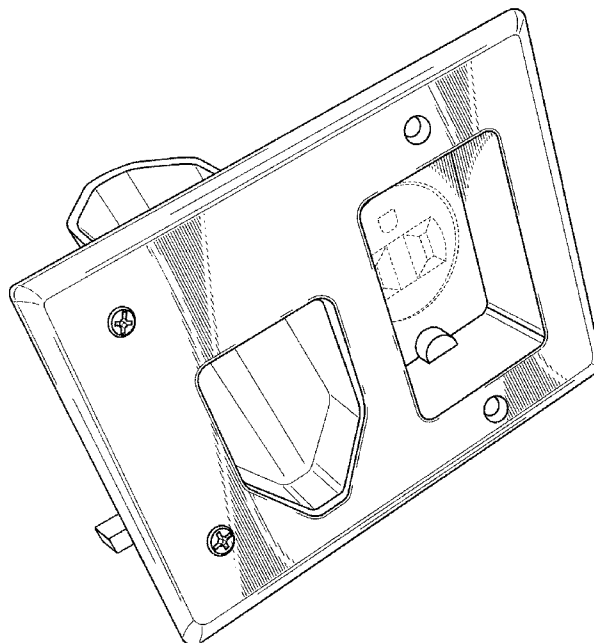
FIG. 5 is a right side view thereof;

FIG. 6 is a top view thereof; and,

FIG. 7 is a bottom view thereof.

The broken line showing of the receptacle is included for the purpose of illustrating environmental structure and forms no part of the claimed design.

1 Claim, 5 Drawing Sheets



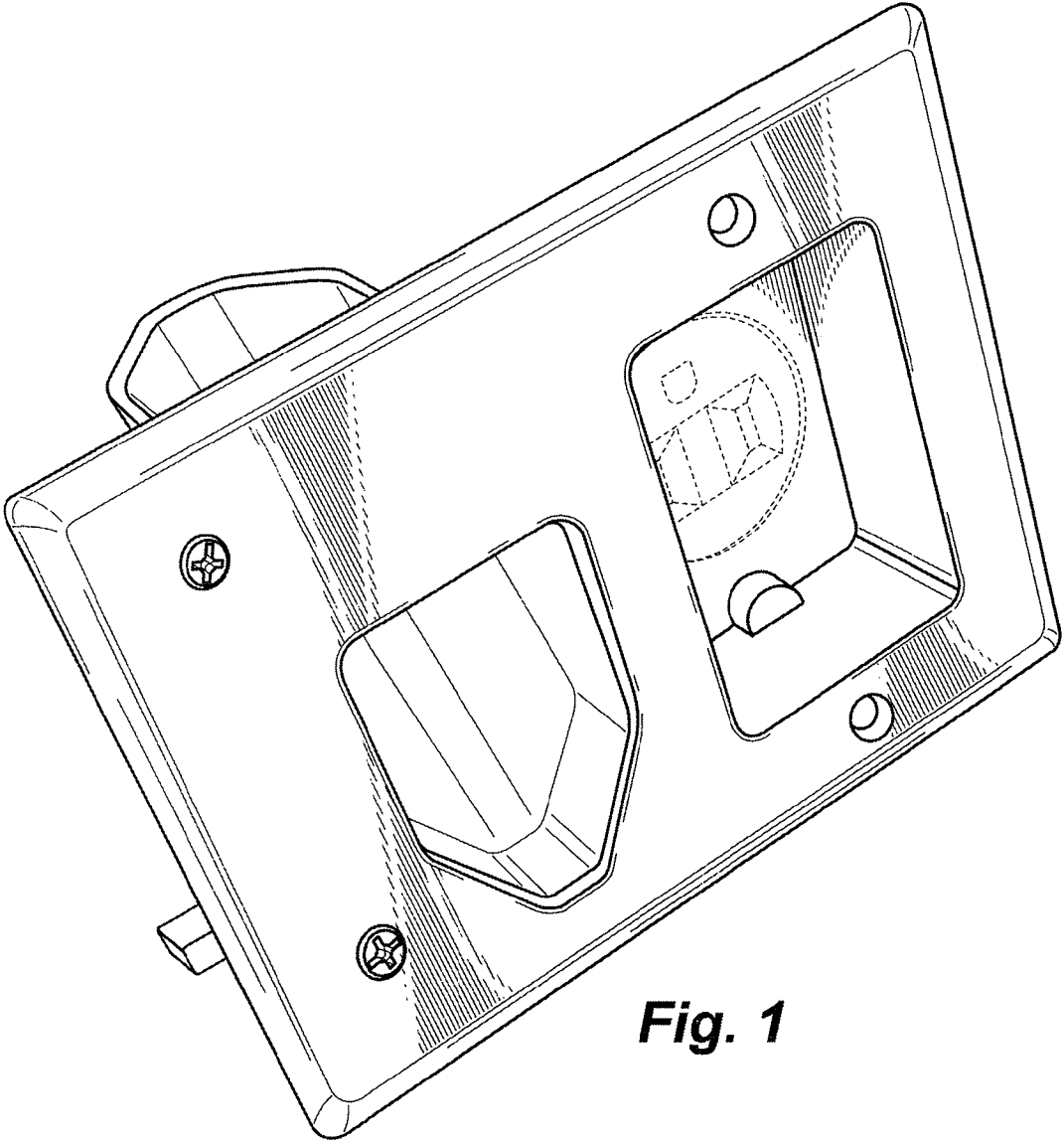


Fig. 1

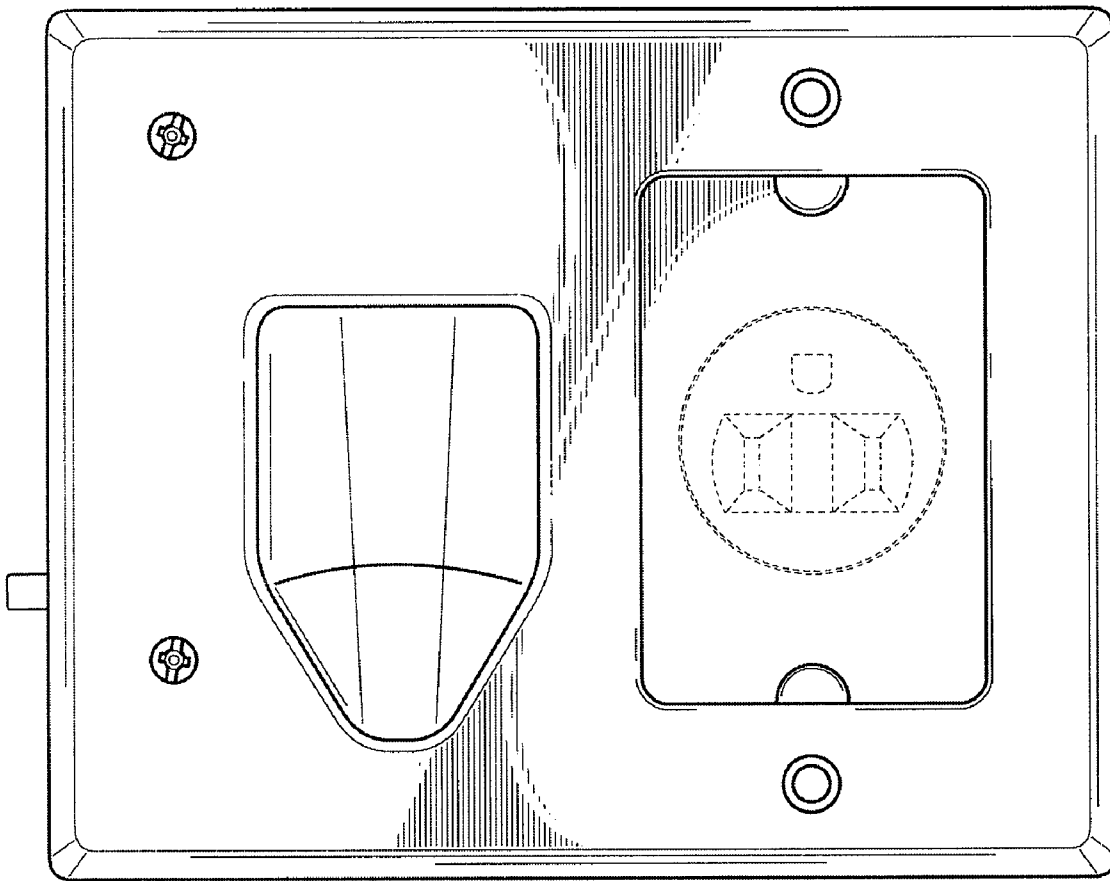


Fig. 2

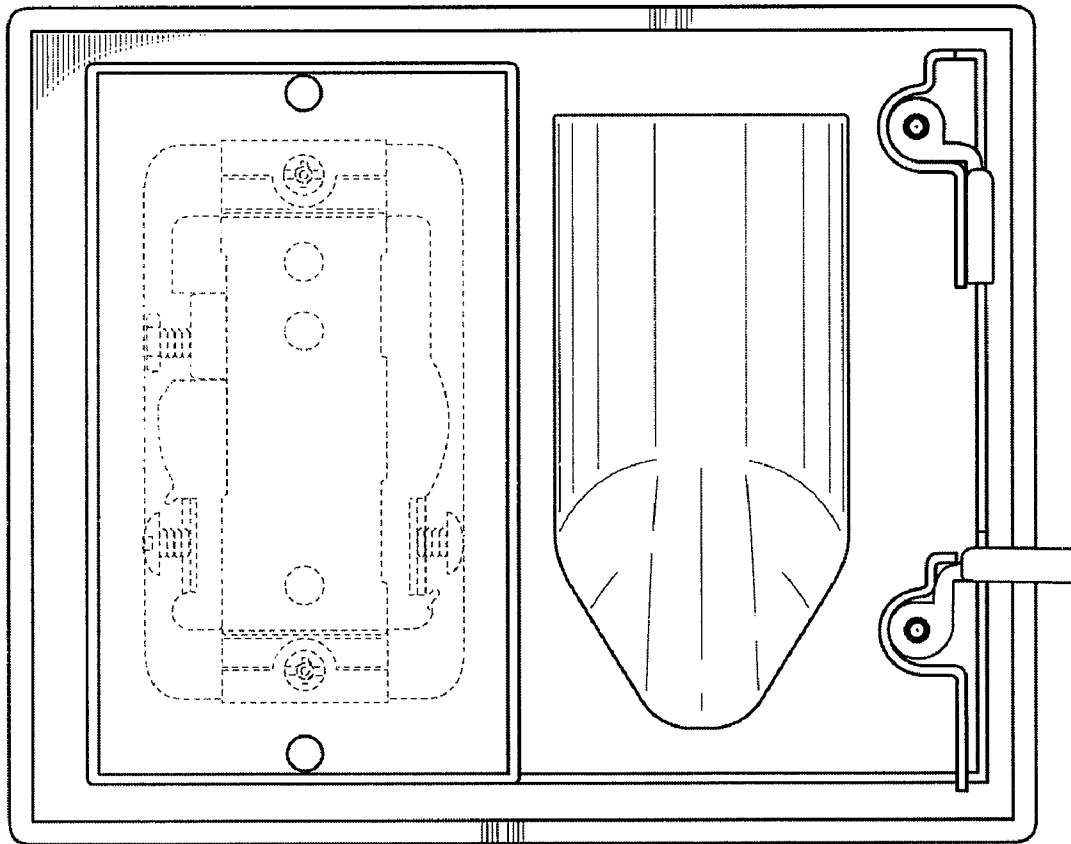


Fig. 3

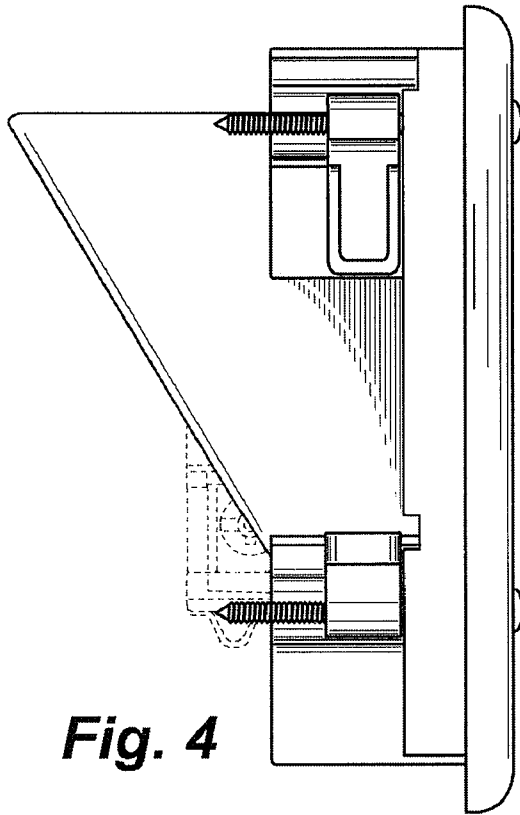


Fig. 4

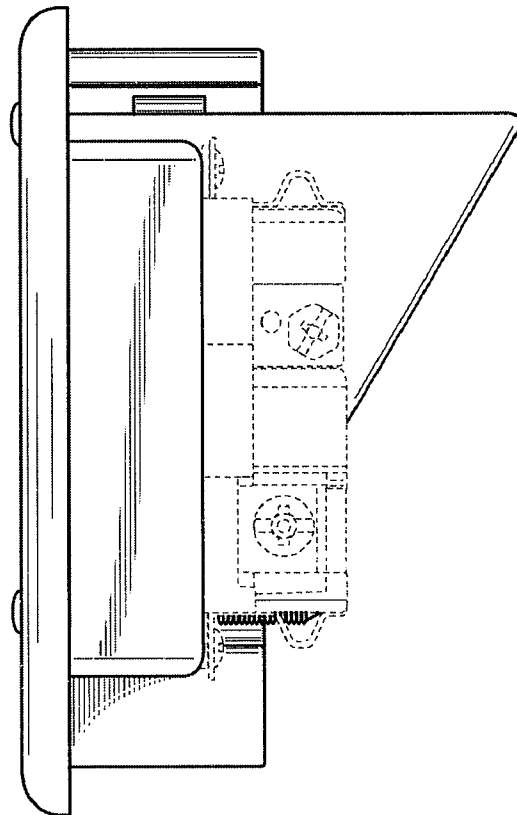


Fig. 5

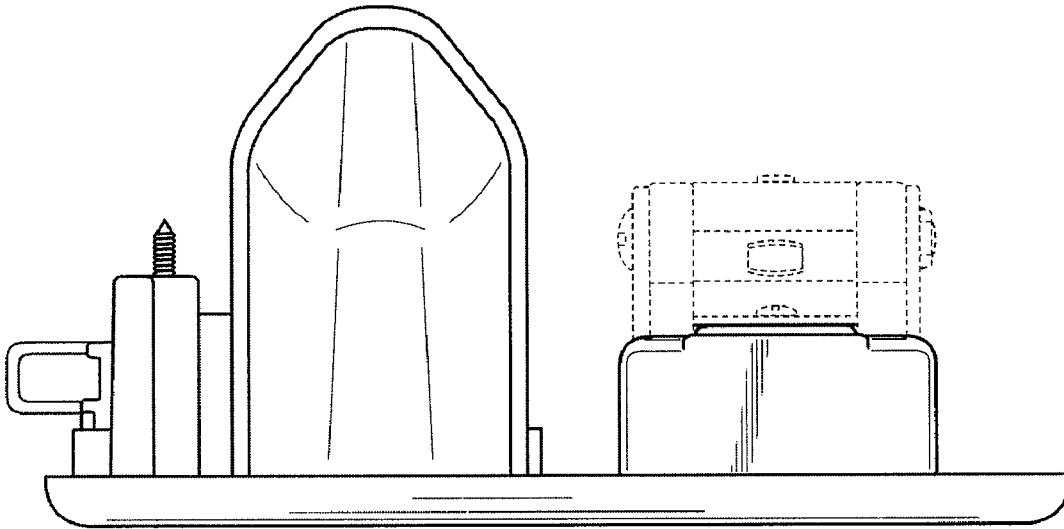


Fig. 6

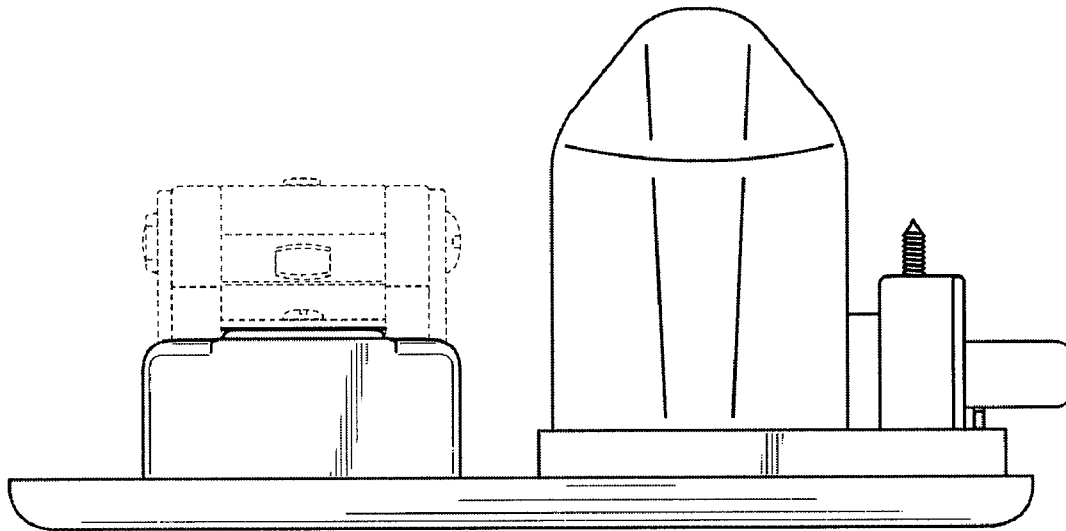


Fig. 7