



US00D479124S

(12) **United States Design Patent** (10) **Patent No.:** **US D479,124 S**  
**Pope** (45) **Date of Patent:** **\*\* Sep. 2, 2003**

(54) **ORNAMENTAL CONTAINER**  
(76) Inventor: **Judith A. Pope**, 11906 W. Stillwater Dr., Boise, ID (US) 83704  
(\*\*) Term: **14 Years**  
(21) Appl. No.: **29/172,131**  
(22) Filed: **Dec. 4, 2002**  
(51) **LOC (7) Cl.** ..... **09-03**  
(52) **U.S. Cl.** ..... **D9/307; D3/271**  
(58) **Field of Search** ..... D3/270-271; D9/307, D9/339, 424-426; D11/149; 206/457, 527; 215/400

D462,261 S \* 9/2002 Davis ..... D9/307  
\* cited by examiner  
*Primary Examiner*—Sandra L. Morris  
(74) *Attorney, Agent, or Firm*—Stephen M. Nipper; Frank J. Dykas; Robert L. Shaver

(57) **CLAIM**

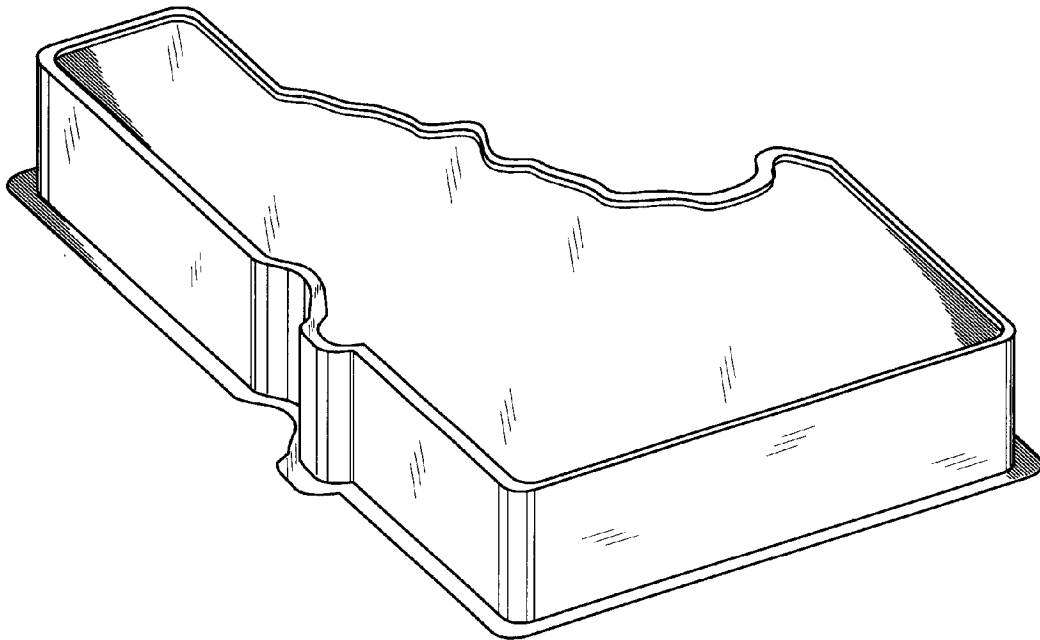
The ornamental design for an ornamental container, as shown and described.

**DESCRIPTION**

FIG. 1 is a perspective representational view of the ornamental container;  
FIG. 2 is a top plan view, of the ornamental container;  
FIG. 3 is a first side view of the ornamental container;  
FIG. 4 is a bottom plan view of the ornamental container;  
FIG. 5 is a second side view of the ornamental container;  
FIG. 6 is a first end view of the ornamental container; and,  
FIG. 7 is a second end view of the ornamental container.

(56) **References Cited**  
**U.S. PATENT DOCUMENTS**  
D265,866 S \* 8/1982 Levin ..... D3/271  
D316,960 S \* 5/1991 Wilkerson ..... D9/307  
D334,138 S \* 3/1993 Larsen ..... D9/307

**1 Claim, 6 Drawing Sheets**



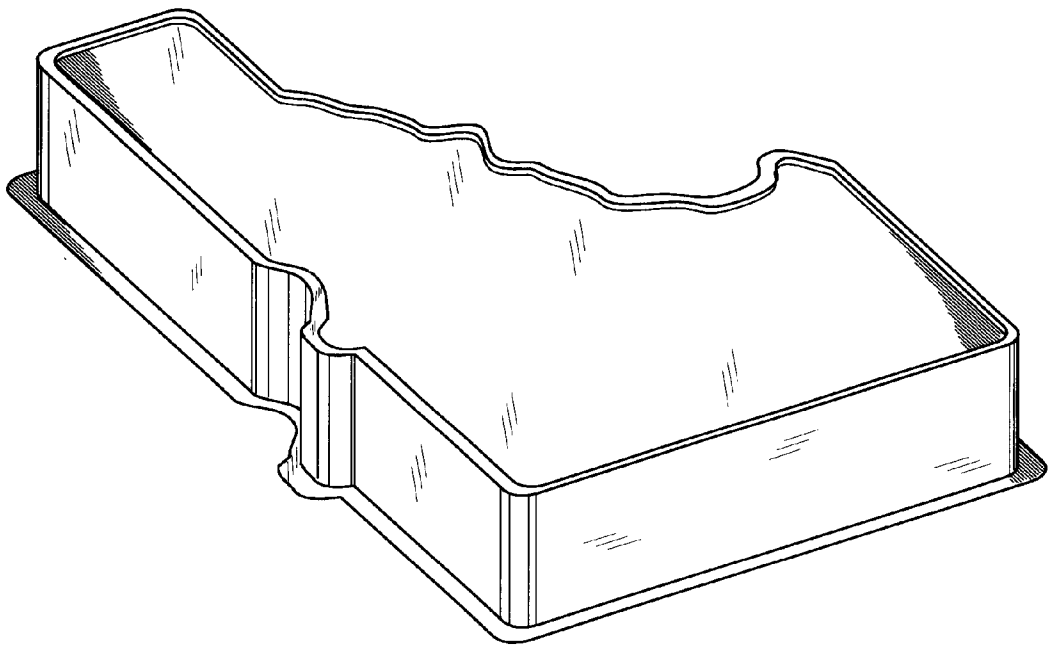
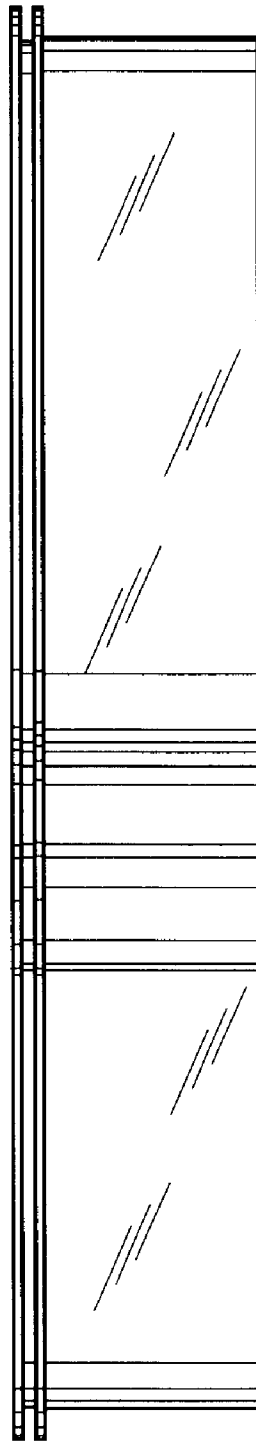
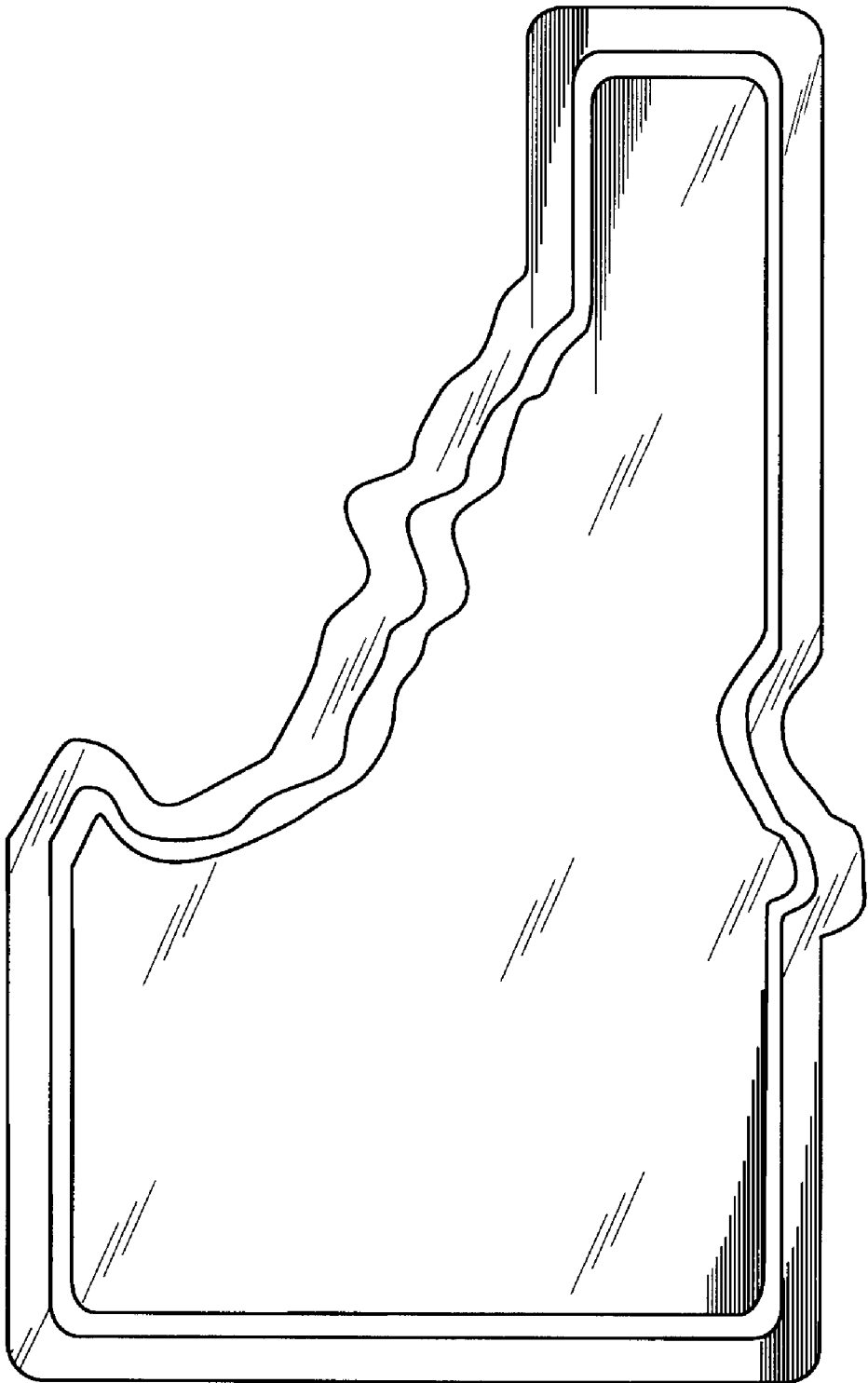


FIG.1

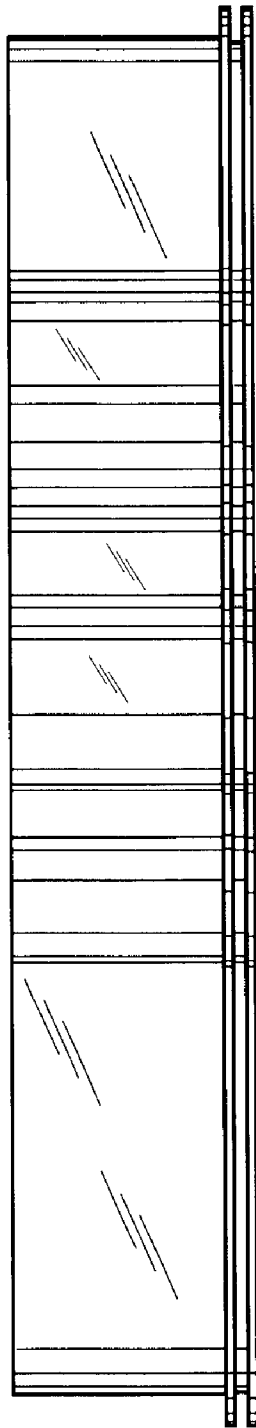




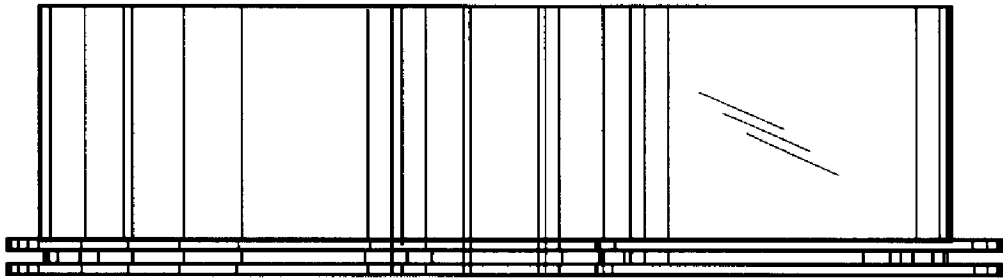
**FIG. 3**



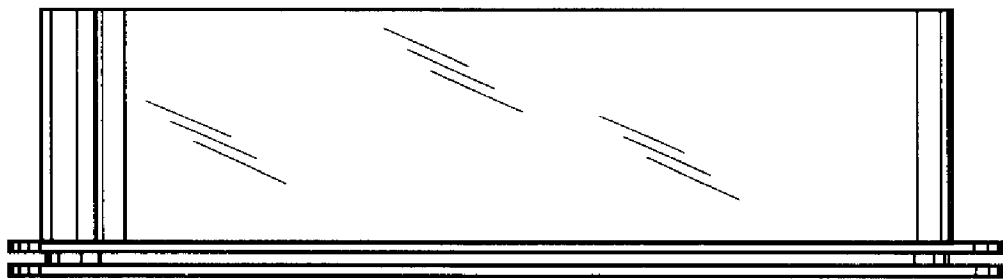
**FIG. 4**



**FIG. 5**



**FIG. 6**



**FIG. 7**