



US00D931835S

(12) **United States Design Patent**  
**Salem**

(10) **Patent No.:** **US D931,835 S**

(45) **Date of Patent:** **\*\* Sep. 28, 2021**

- (54) **WRISTBAND CONTROLLER**
- (71) Applicant: **Switch Project, LLC**, Woodland Hills, CA (US)
- (72) Inventor: **Ben Salem**, Sherman Oaks, CA (US)
- (73) Assignee: **Switch Project, LLC**, Woodland Hills, CA (US)

- RE42,686 E \* 9/2011 Shimizu ..... D13/168
- D654,478 S \* 2/2012 Noh ..... D14/218
- D656,845 S \* 4/2012 Maier ..... D10/39
- D679,618 S \* 4/2013 Dumas ..... D10/104.2
- D687,415 S \* 8/2013 Vuillet ..... D14/218
- D703,190 S \* 4/2014 Zaslavsky ..... D14/218
- D726,692 S \* 4/2015 Peh ..... D14/218
- 9,172,148 B2 \* 10/2015 Lyons ..... H01Q 21/28
- D765,059 S \* 8/2016 Fries ..... D14/218
- D768,114 S \* 10/2016 Hou ..... D14/218

(Continued)

(\*\*) Term: **15 Years**

(21) Appl. No.: **29/724,080**

(22) Filed: **Feb. 12, 2020**

(51) **LOC (13) Cl.** ..... **14-03**

(52) **U.S. Cl.**  
USPC ..... **D14/218; D14/344; D10/31**

(58) **Field of Classification Search**  
USPC ..... D10/30–39, 65, 70, 97, 98, 122, 132,  
D10/104.2, 106.94, 106.5; D14/218, 250,  
D14/344, 440; D24/167, 168, 186;  
D11/3, 5; D21/531; D13/168  
CPC ..... G04B 37/005; G04B 37/0058; G04B  
37/0084; G04B 37/087; G04B 37/12;  
A44C 5/00; A44C 5/02; A44C 5/0007;  
A44C 5/0015; A44C 5/0023; A44C  
5/0053; A44C 5/147; G06F 1/163; A61B  
5/681

See application file for complete search history.

(56) **References Cited**

**U.S. PATENT DOCUMENTS**

- D181,013 S \* 9/1957 Mamie ..... D10/38
- D376,544 S \* 12/1996 Egbert ..... D10/30
- D462,336 S \* 9/2002 Chaiken ..... D10/31
- D514,525 S \* 2/2006 Stauffer ..... D13/168
- D565,426 S \* 4/2008 Rabassa ..... D10/30
- D594,851 S \* 6/2009 Dai ..... D14/218
- D641,342 S \* 7/2011 Chang ..... D14/240
- D643,412 S \* 8/2011 Brady ..... D14/218

**OTHER PUBLICATIONS**

WowWee CHiP is a hyper engaging robot pet | mashable.com; Aug. 2016 [online]. © 2021 Mashable, Inc. [retrieved Apr. 29, 2021] from Internet: <<https://mashable.com/2016/08/16/wowwee-chip-review/>> (Year: 2016).\*

(Continued)

*Primary Examiner* — Katherine Glennon  
(74) *Attorney, Agent, or Firm* — Kenja IP Law PC

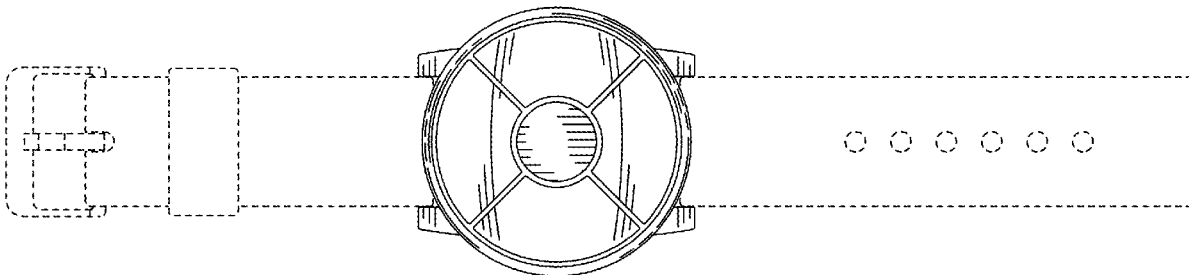
(57) **CLAIM**

I claim the ornamental design for a wristband controller, as shown and described.

**DESCRIPTION**

FIG. 1 is a front elevation view of a wristband controller; FIG. 2 is a back elevation view of the wristband controller; FIG. 3 is a left side elevation view of the wristband controller; FIG. 4 is a right side elevation view of the wristband controller; FIG. 5 is a bottom elevation view of the wristband controller; FIG. 6 is a top front perspective view of the wristband controller; and, FIG. 7 is a bottom perspective view of the wristband controller;

**1 Claim, 3 Drawing Sheets**



(56)

References Cited

U.S. PATENT DOCUMENTS

D770,422 S \* 11/2016 Park ..... D14/218  
 D792,865 S \* 7/2017 Park ..... D14/138 R  
 D796,355 S \* 9/2017 Cho ..... D10/70  
 D827,831 S \* 9/2018 Fong ..... D24/167  
 D834,560 S \* 11/2018 Hardi ..... D14/218  
 D845,930 S \* 4/2019 Schulz ..... D14/218  
 10,374,816 B1 8/2019 Leblang  
 D858,463 S \* 9/2019 Nien ..... D13/168  
 D868,778 S \* 12/2019 Reivo ..... D14/344  
 D870,078 S \* 12/2019 Kim ..... D14/218  
 D926,053 S \* 7/2021 Soheili ..... D10/38  
 2002/0097188 A1 7/2002 Coloney  
 2002/0148625 A1 10/2002 Darling  
 2009/0088876 A1\* 4/2009 Conley ..... G11B 27/10  
 700/94  
 2009/0121931 A1 5/2009 Katz  
 2010/0073870 A1 3/2010 Diez Munoz  
 2013/0331058 A1 12/2013 Harvey  
 2014/0009435 A1 1/2014 Shs  
 2015/0107022 A1 4/2015 Al Yazdi  
 2015/0221244 A1 8/2015 Miller

2015/0380847 A1 12/2015 Sun et al.  
 2015/0382096 A1 12/2015 Lamar  
 2016/0091922 A1 3/2016 Nazzaro  
 2016/0164973 A1 6/2016 Kapoor  
 2016/0253050 A1 9/2016 Mishra et al.  
 2016/0274408 A1 9/2016 Bushnell  
 2017/0164670 A1 6/2017 Hale  
 2017/0212474 A1\* 7/2017 Iguchi ..... G04B 37/0008  
 2017/0290207 A1 10/2017 Smith  
 2018/0263501 A1\* 9/2018 Shim ..... A61B 5/681  
 2018/0343024 A1\* 11/2018 Sahebjavaher ..... G06F 1/163  
 2018/0368365 A1 12/2018 Van Curen et al.  
 2019/0219970 A1\* 7/2019 Hiraide ..... G04G 21/025  
 2019/0348751 A1 11/2019 Finegold  
 2020/0226919 A1\* 7/2020 Salem ..... H04N 5/23203  
 2020/0275183 A1\* 8/2020 Salem ..... H04R 1/1058  
 2020/0396873 A1\* 12/2020 Salem ..... G06F 1/1607

OTHER PUBLICATIONS

International Search Report with Written Opinion dated Apr. 24, 2020, for PCT Application No. PCT/US2020/013381.

\* cited by examiner

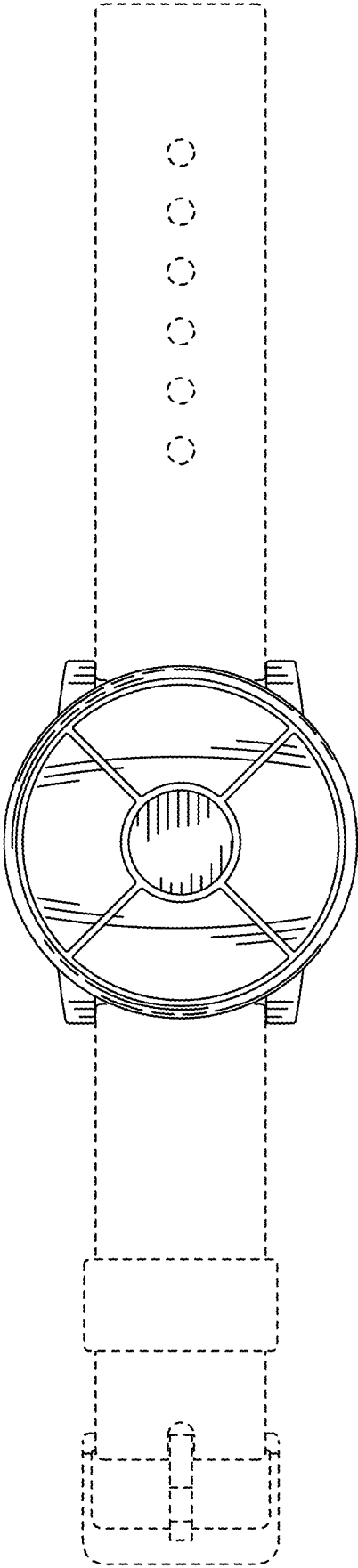


Fig. 1

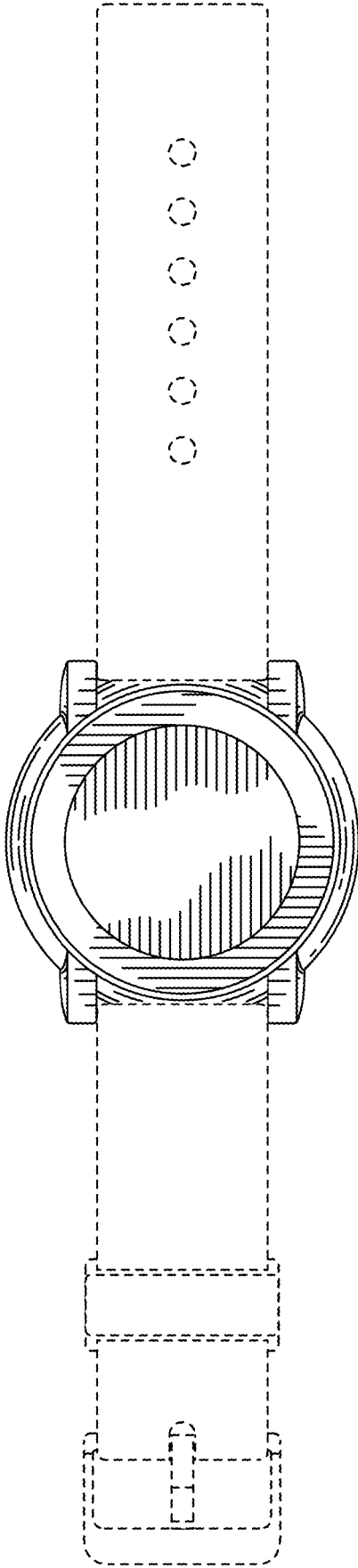


Fig. 2

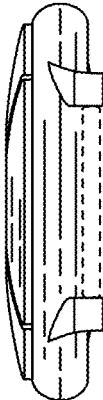


Fig. 3

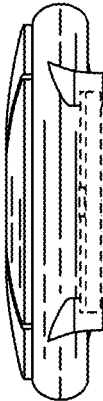


Fig. 4

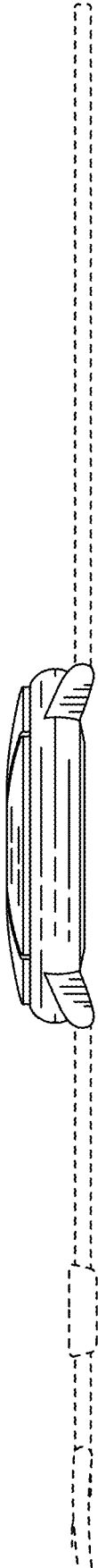
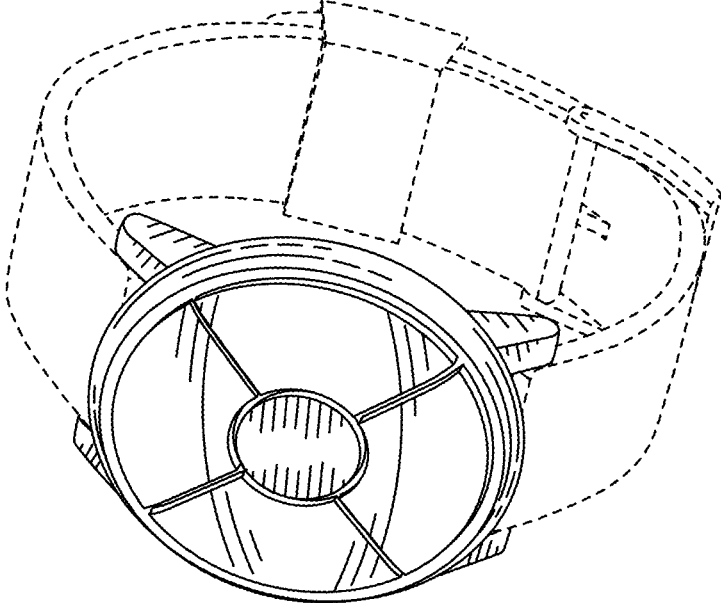
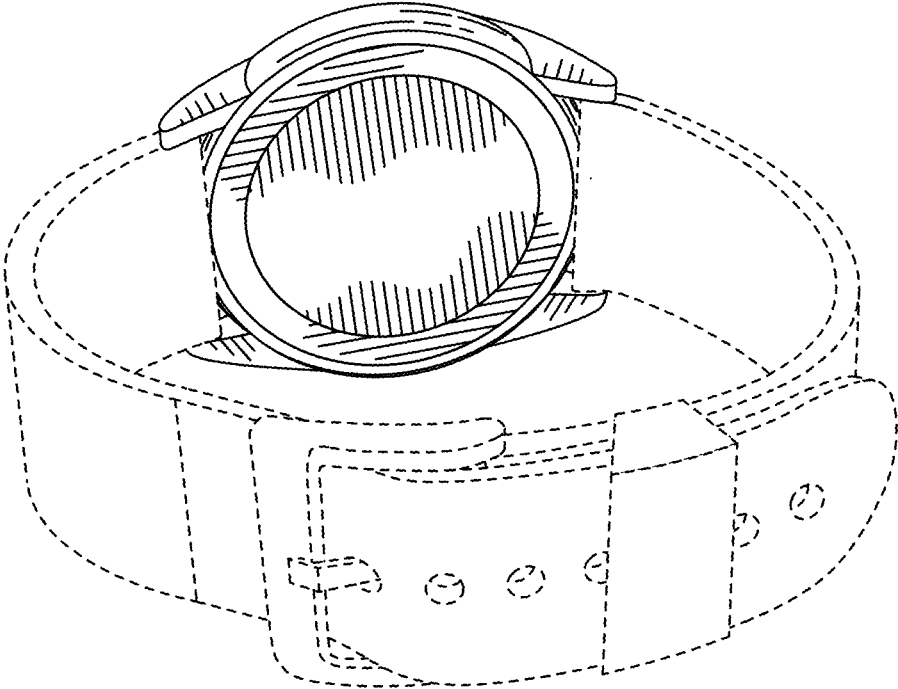


Fig. 5



**Fig. 6**



**Fig. 7**