



US00D446670B1

(12) **United States Design Patent**  
**Emery et al.**

(10) **Patent No.:** **US D446,670 S**

(45) **Date of Patent:** **\*\* Aug. 21, 2001**

(54) **SHOWER ORGANIZER**

D. 378,556 \* 3/1997 Munoz ..... D6/525

D. 387,595 \* 12/1997 Whang ..... D6/525

3,789,996 \* 2/1974 Stroh ..... 211/181.1

(76) Inventors: **William W. Emery**, 326 Timber Dr.,  
Berkeley Heights, NJ (US) 07922;  
**Russell A. Fritts**, 17 Lenape Trail,  
Warren, NJ (US) 07059

\* cited by examiner

*Primary Examiner*—Brian N. Vinson

(\*\*) Term: **14 Years**

(57) **CLAIM**

(21) Appl. No.: **29/115,108**

The ornamental design for a shower organizer, as shown and described.

(22) Filed: **Dec. 8, 1999**

**DESCRIPTION**

(51) **LOC (7) Cl.** ..... **23-02**

(52) **U.S. Cl.** ..... **D6/525**

(58) **Field of Search** ..... D6/524, 525, 566;  
211/13.1, 71, 74, 75, 86-88, 90, 126.1,  
134, 181.1

FIG. 1 is a top, front and left side perspective view of the shower organizer design;

FIG. 2 is a front elevational view of the shower organizer;

FIG. 3 is a rear elevational view of the shower organizer;

FIG. 4 is a left side view of the shower organizer;

FIG. 5 is a right side view of the shower organizer;

FIG. 6 is a top plan view of the shower organizer; and,

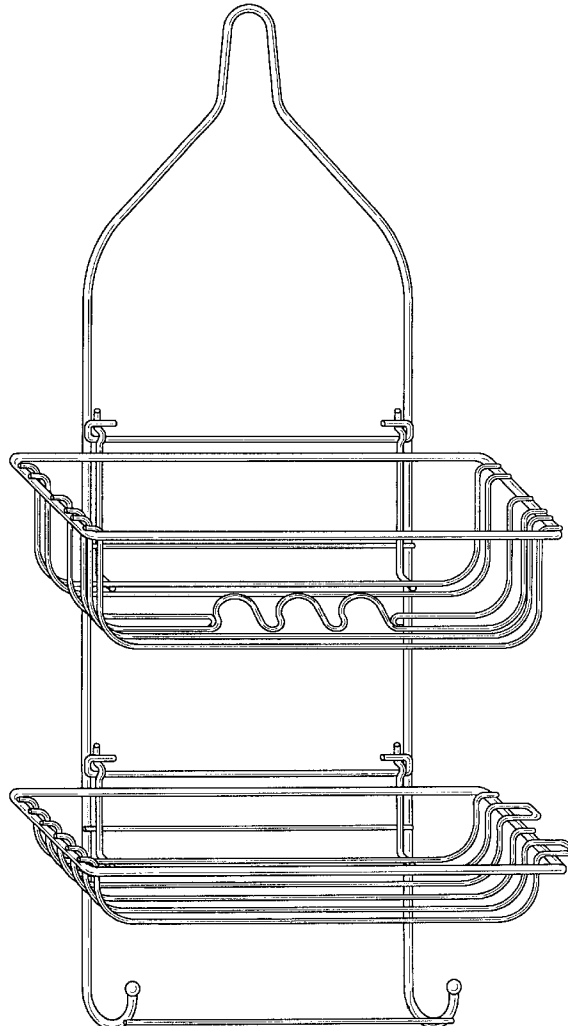
FIG. 7 is a bottom plan view of the shower organizer.

(56) **References Cited**

**U.S. PATENT DOCUMENTS**

D. 320,134 \* 9/1991 Emery ..... D6/525

**1 Claim, 5 Drawing Sheets**



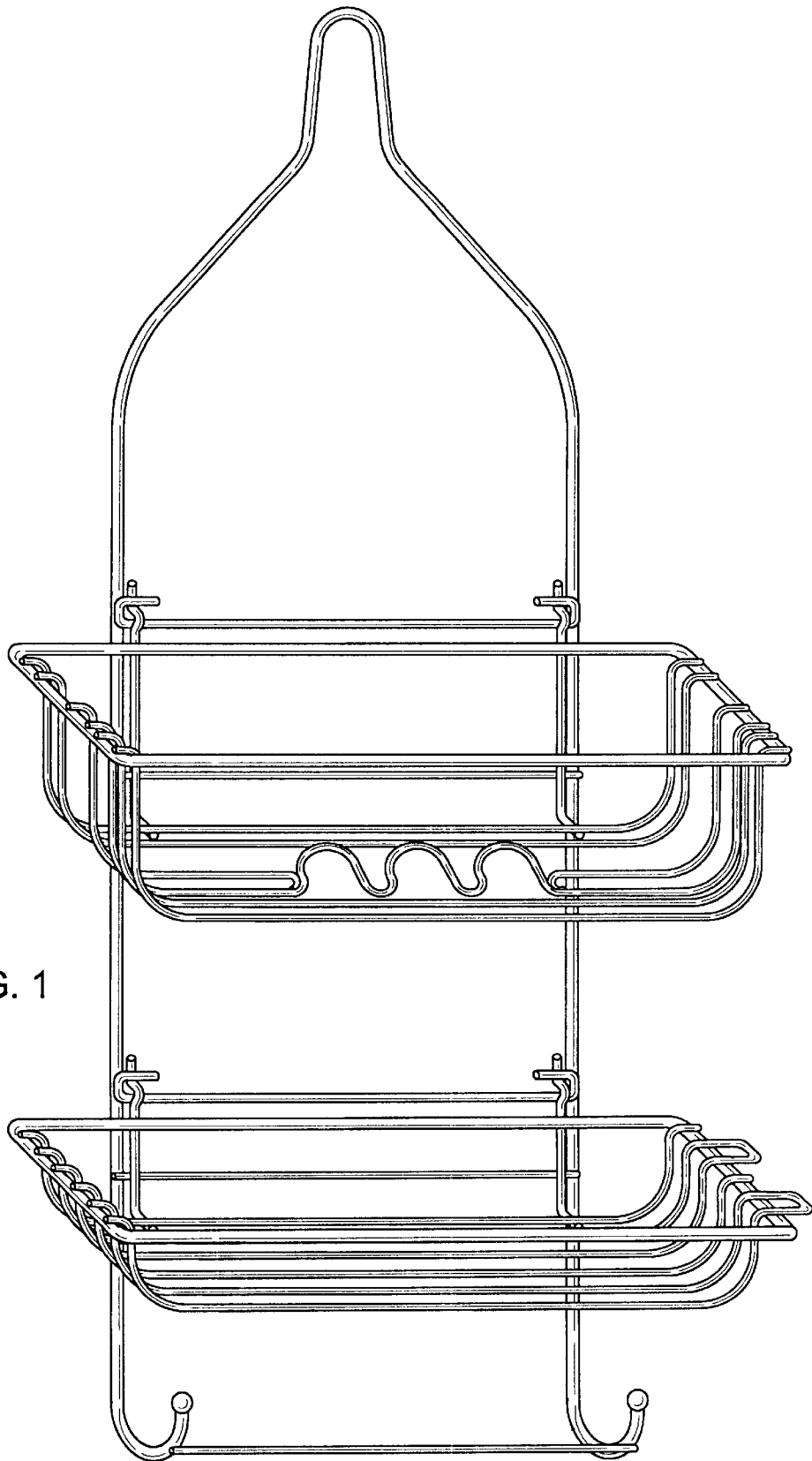


FIG. 1

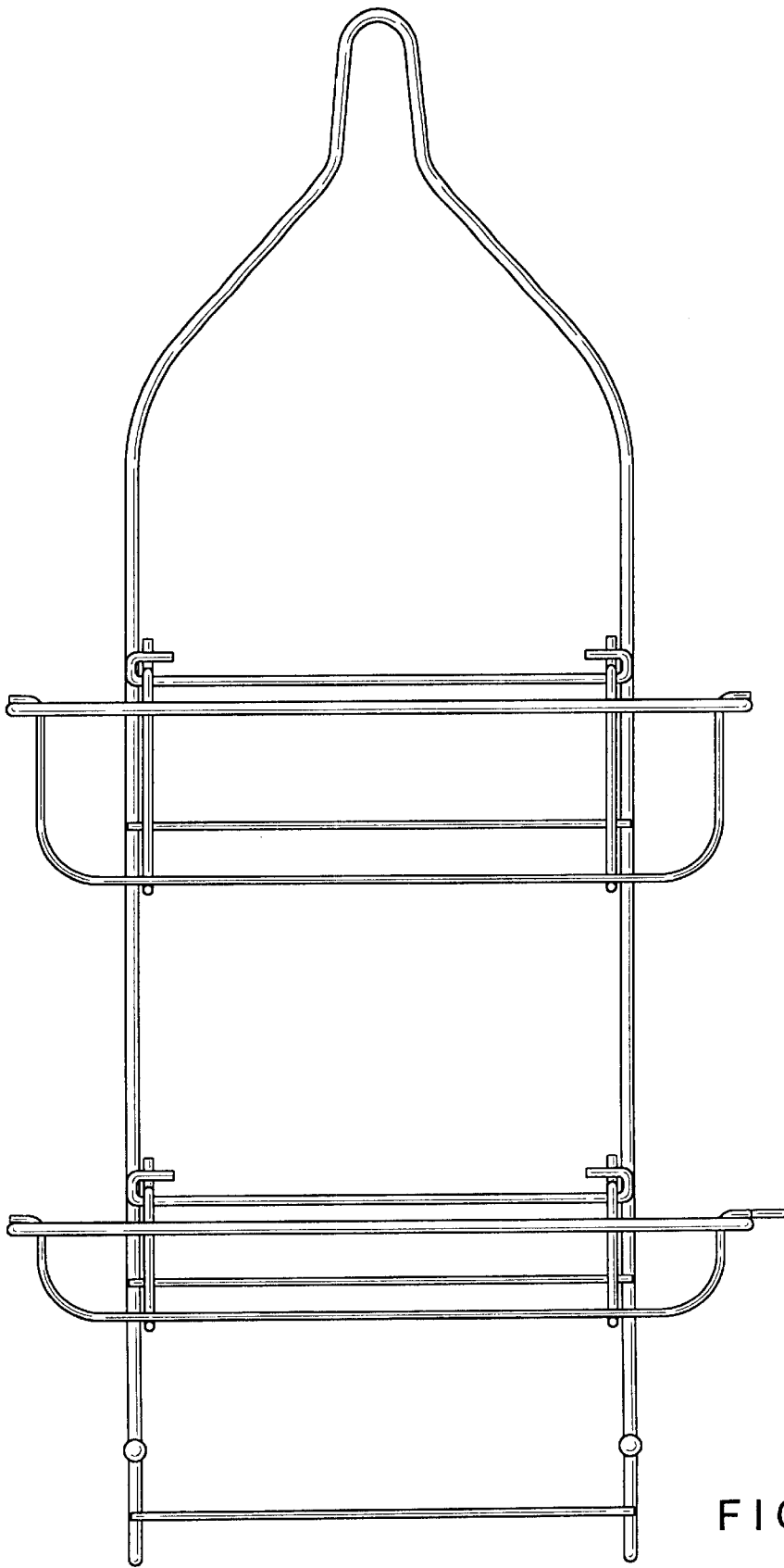


FIG. 2

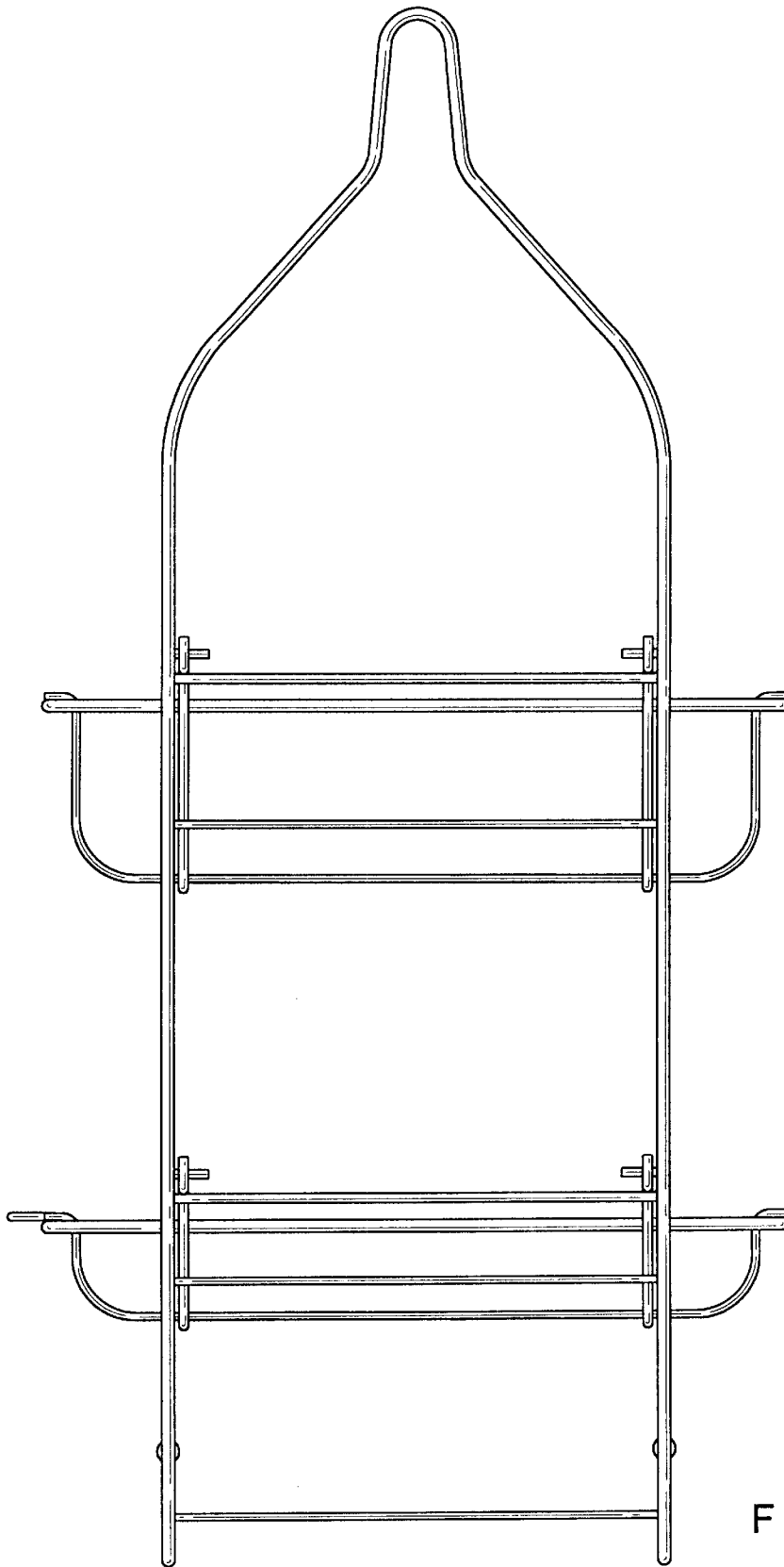


FIG. 3

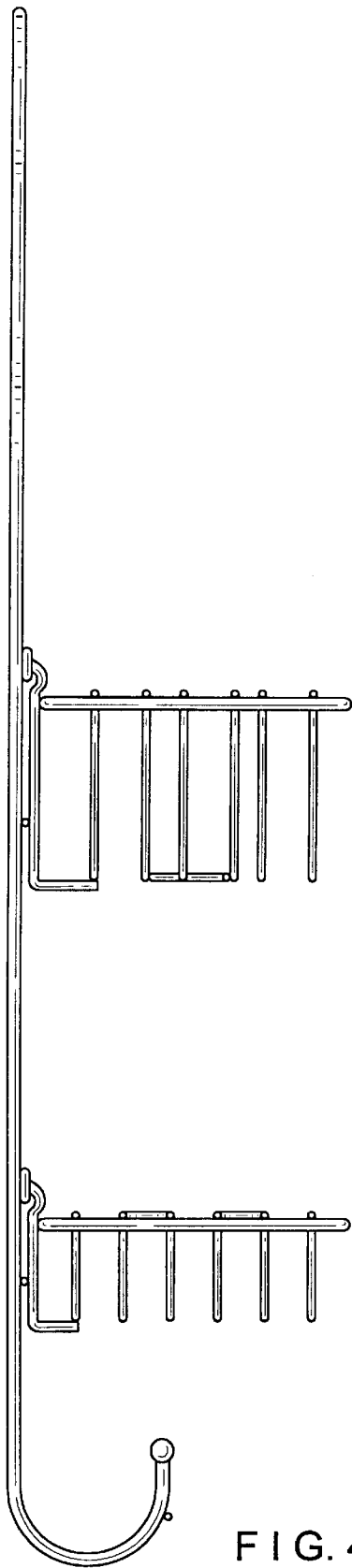


FIG. 4

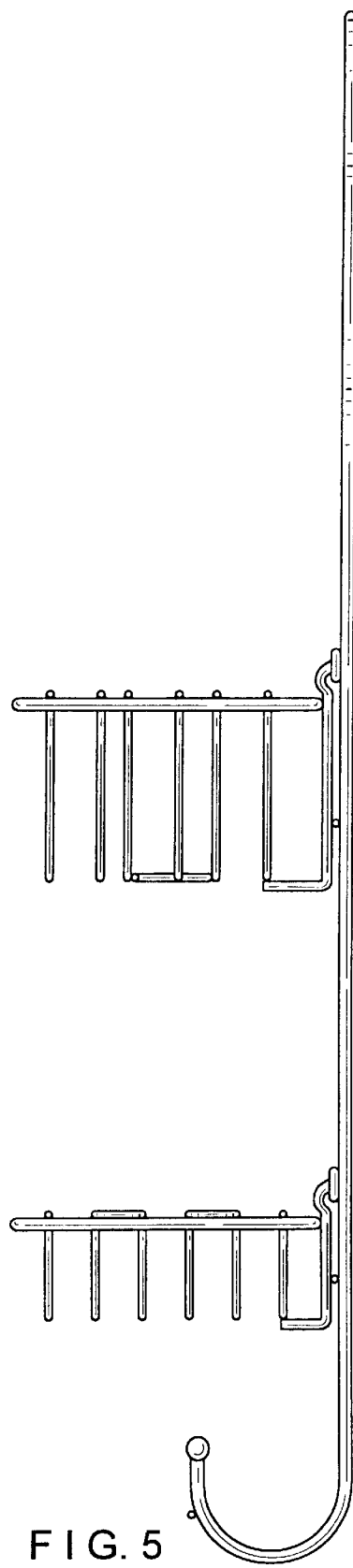


FIG. 5

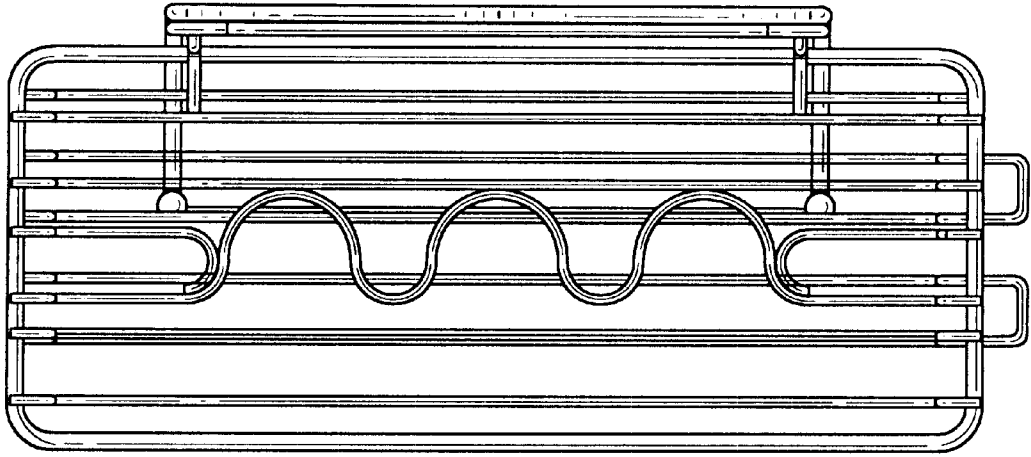


FIG. 6

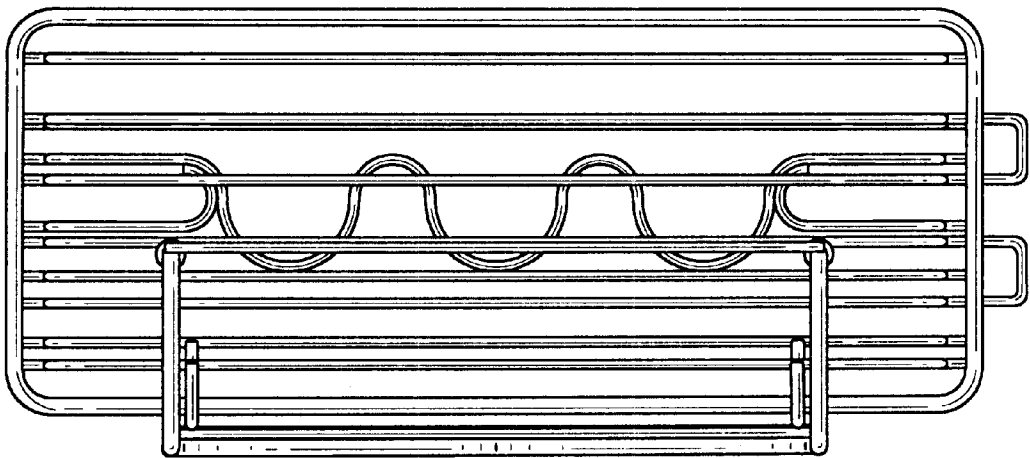


FIG. 7