



US00D902028S

(12) **United States Design Patent**  
**Smith et al.**

(10) **Patent No.:** **US D902,028 S**

(45) **Date of Patent:** **\*\* Nov. 17, 2020**

(54) **CONTAINER**

(71) Applicant: **All Plastic, Inc.**, Gold River, CA (US)

(72) Inventors: **William Thomas Smith**, Fair Oaks, CA (US); **Cheryl Ann Smith**, Fair Oaks, CA (US)

(73) Assignee: **ALL PLASTIC, INC.**, Gold River, CA (US)

(\*\*) Term: **15 Years**

(21) Appl. No.: **29/663,940**

(22) Filed: **Sep. 20, 2018**

**Related U.S. Application Data**

(63) Continuation-in-part of application No. 29/659,740, filed on Aug. 10, 2018.

(51) **LOC (12) Cl.** ..... **09-03**

(52) **U.S. Cl.**  
USPC ..... **D9/428; D9/504; D6/677**

(58) **Field of Classification Search**  
USPC ..... D9/414, 418, 422, 423, 424, 428, 436, D9/454, 503, 504, 549, 721; D6/677  
(Continued)

**References Cited**

**U.S. PATENT DOCUMENTS**

D128,936 S \* 8/1941 Foley ..... D3/203.2  
D181,321 S 10/1957 Stowell  
(Continued)

**FOREIGN PATENT DOCUMENTS**

EP 1779885 A1 5/2007

**OTHER PUBLICATIONS**

Magazine AD for Bud Bar Displays™. 3rd Annual Marijuana Business Conference & Expo, Las Vegas, NV, Nov. 1, 2014. 3 pages.

(Continued)

*Primary Examiner* — Lauren R Calve

(74) *Attorney, Agent, or Firm* — Ballard Spahr LLP

(57) **CLAIM**

The ornamental design for a container, as shown and described.

**DESCRIPTION**

FIG. 1 is a perspective view of a container showing our design with the plug in a close position;

FIG. 2 is a rear elevation view of the container shown in FIG. 1;

FIG. 3 is a right side elevation view of the container shown in FIG. 1;

FIG. 4 is a front elevation view of the container shown in FIG. 1;

FIG. 5 is a left side elevation view of the container shown in FIG. 1;

FIG. 6 is a top plan view of the container shown in FIG. 1;

FIG. 7 is a bottom plan view of the container shown in FIG. 1;

FIG. 8 is perspective view of the container of FIG. 1 with the plug in an open position;

FIG. 9 is a rear elevation view of the container shown in FIG. 8;

FIG. 10 is a right side elevation view of the container shown in FIG. 8;

FIG. 11 is a front elevation view of the container shown in FIG. 8;

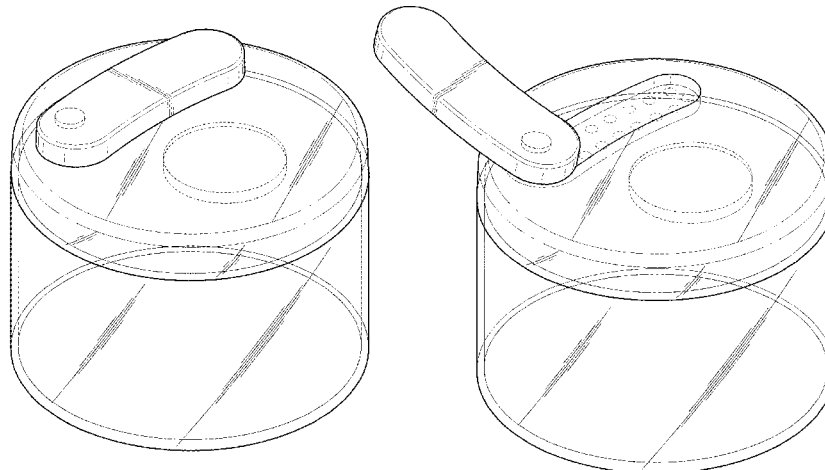
FIG. 12 is a left side elevation view of the container shown in FIG. 8;

FIG. 13 is a top plan view of the container shown in FIG. 8; and,

FIG. 14 is a bottom plan view of the container shown in FIG. 8.

The broken lines depict portions of the article that form no part of the claimed design.

**1 Claim, 12 Drawing Sheets**



(58) **Field of Classification Search**

CPC ..... B65D 25/54; B65D 25/106; B65D 25/22;  
B65D 51/24; B65D 51/245; A47F 3/145;  
A47F 7/286

See application file for complete search history.

(56) **References Cited**

## U.S. PATENT DOCUMENTS

2,807,901 A 10/1957 Gilowitz  
3,247,995 A 4/1966 Jensen  
3,656,840 A 4/1972 Smith et al.  
4,106,660 A 8/1978 Boyle  
D255,546 S \* 6/1980 Zaidmann ..... D6/661  
4,230,231 A 10/1980 Burnett et al.  
4,284,200 A 8/1981 Bush et al.  
D272,595 S 2/1984 Chase et al.  
D292,887 S \* 11/1987 Schouten ..... D9/424  
D303,428 S 9/1989 Wada  
4,979,332 A 12/1990 Nagaya et al.  
D322,323 S 12/1991 Moir  
D340,187 S 10/1993 Forsyth  
5,321,908 A 6/1994 Ushimaru  
5,363,801 A 11/1994 Watters et al.  
5,927,007 A 7/1999 Oda et al.  
6,013,524 A 1/2000 Friars et al.  
D455,552 S \* 4/2002 Charness ..... D3/302  
6,571,972 B1 6/2003 Bouc et al.  
D476,572 S 7/2003 Merritt  
D480,307 S \* 10/2003 Canamasas Puigbo ..... D28/76  
6,761,287 B2 7/2004 Caruso  
D493,721 S 8/2004 Puigbo  
D493,722 S \* 8/2004 Cooper ..... D9/504  
D513,979 S 1/2006 Snedden et al.  
D517,405 S 3/2006 Snedden et al.  
D518,728 S 4/2006 Frantz  
D523,752 S 6/2006 Bried  
7,185,827 B2 3/2007 Quintard et al.  
D547,177 S 7/2007 Sherman et al.  
D588,450 S 3/2009 Snedden et al.  
D590,706 S 4/2009 Doliwa et al.  
D591,148 S 4/2009 Parikh et al.  
D600,111 S 9/2009 Gerulski et al.  
D621,603 S 8/2010 Traylor  
D630,949 S 1/2011 Lim  
D646,969 S 10/2011 Snedden et al.  
D647,530 S 10/2011 Busch  
8,079,478 B2 12/2011 Short et al.  
D655,604 S 3/2012 Molina  
D671,831 S \* 12/2012 Moreau ..... D9/428  
D685,227 S 7/2013 Boonprasop  
8,544,208 B2 10/2013 Huang  
D696,948 S \* 1/2014 Kim ..... D9/454  
D702,547 S 4/2014 Akana  
D703,055 S \* 4/2014 Park ..... D9/454  
8,925,725 B1 1/2015 Burnett  
D731,891 S 6/2015 Servaire  
D749,381 S 2/2016 Magri  
D765,389 S \* 9/2016 Martin ..... D3/203.5  
D769,079 S 10/2016 Kotani  
D775,959 S 1/2017 Owen  
D778,718 S 2/2017 Smith et al.  
9,630,747 B2 4/2017 Smith et al.  
D794,944 S \* 8/2017 Martin ..... D3/203.5  
D806,543 S 1/2018 Finkbohner  
D812,939 S 3/2018 Modlin  
D814,831 S \* 4/2018 Modlin ..... D6/677  
9,981,790 B1 5/2018 Ost  
D821,738 S 7/2018 Small  
D830,779 S 10/2018 Li et al.  
D842,494 S 3/2019 Lee  
D849,526 S 5/2019 Sanders et al.  
D855,449 S \* 8/2019 Smith ..... D9/414  
10,384,834 B2 8/2019 Smith et al.  
D859,894 S \* 9/2019 Smith ..... D6/682.1  
D861,475 S 10/2019 Giwani  
D862,226 S 10/2019 Horn

D863,053 S \* 10/2019 Smith ..... D9/414  
D866,334 S 11/2019 Wieland  
D876,945 S \* 3/2020 Smith ..... D9/414  
2003/0234208 A1 12/2003 Huang  
2005/0092751 A1 5/2005 Alvares  
2007/0051826 A1 3/2007 Schofield  
2009/0057326 A1 3/2009 Opitz  
2009/0261100 A1 10/2009 McMinn  
2010/0300370 A1 12/2010 Hundt  
2013/0313217 A1 11/2013 Yamamoto et al.  
2016/0031605 A1 2/2016 Bean et al.  
2016/0318672 A1 \* 11/2016 Smith ..... B65D 85/70  
2017/0190482 A1 7/2017 Smith et al.  
2017/0275075 A1 \* 9/2017 Bamonte ..... A47J 47/10  
2018/0362215 A1 \* 12/2018 Whetsel ..... B65D 25/54  
2019/0009967 A1 \* 1/2019 Lung ..... B65B 5/04  
2019/0152648 A1 \* 5/2019 Parve ..... B65D 21/08  
2020/0130901 A1 4/2020 Karll

## OTHER PUBLICATIONS

Magazine AD for Bud Bar Displays™. Canna Con, Denver, Colorado, Jun. 1, 2015. 3 pages.  
Magazine AD showing Bud Bar Displays™. Dope Magazine, Issue #7, Dec. 1, 2015. 2 pages.  
Magazine AD for Bud Bar Displays™. MG-Magazine.com, Feb. 1, 2016. 2 pages.  
Magazine AD for Bud Bar Displays™. Marijuana Business Magazine, vol. 2, Issue 4, Jul. 1, 2015. 2 pages.  
Magazine AD for Bud Bar Displays™. Marijuana Venture Magazine, Jun. 1, 2017. 3 pages.  
Magazine AD for Bud Bar Displays™. Marijuana Venture Magazine, vol. 1, Issue 7, Sep. 1, 2014. 3 pages.  
Magazine AD for Bud Bar Displays™. The News Tribune, Aug. 15, 2014. 2 pages.  
Pictures of Bud Bar Displays™ booth at the KushCon Convention, which features the Epods. Denver, Colorado, Dec. 1, 2010. 3 pages.  
Website photo. Bud-Pod. www.budbardisplays.com. Published Jan. 1, 2016.  
Website photo. BadBar. www.budbardisplays.com. Published Jan. 23, 2016.  
Website photo. Aroma epod. www.budbardisplays.com. Published Jan. 23, 2016.  
Website photo. Highlight display. www.budbardisplays.com. Published Jan. 23, 2016.  
Website photo. 3 Tier Lighted Display. www.budbardisplays.com. Published Jul. 9, 2017.  
Website photo. Bud bar cabinet. www.budbardisplays.com. Published Jul. 9, 2017.  
Website photo. Budtender1. www.budbardisplays.com. Published Jul. 9, 2017.  
Website photo. Canna pod. www.budbardisplays.com. Published Jul. 9, 2017.  
Website photo. Eco Pod Cabinet. www.budbardisplays.com. Published Jul. 9, 2017.  
Website photo. Bud Pod. www.budbardisplays.com. Published Jul. 9, 2017.  
Website photo. e-Pod. www.budbardisplays.com. Published Jul. 9, 2017.  
Website photo. Sample pod package. www.budbardisplays.com. Published Jul. 9, 2017.  
Website photo. Security seals for pods. www.budbardisplays.com. Published Jul. 9, 2017.  
Website photo. Tether on Bud Pod3. www.budbardisplays.com. Published Jul. 9, 2017.  
Bud Pod and Bud pod security tether close up. Publication on Facebook Oct. 21, 2016. <https://www.facebook.com/BudBarDisplays/photos/a.1250515684990657/1250523611656531/?type=3&theater>.  
Budtender Demo-Bud Bar Displays. Publication on youtube dated May 7, 2017—<https://www.youtube.com/watch?v=JRd6B1ZXZIk>.  
Facebook post showing sample containers, Oct. 22, 2016. <https://www.facebook.com/BudBarDisplays/photos/a.1250515684990657/1251439121564980/?type=3&theater>.

(56)

**References Cited**

OTHER PUBLICATIONS

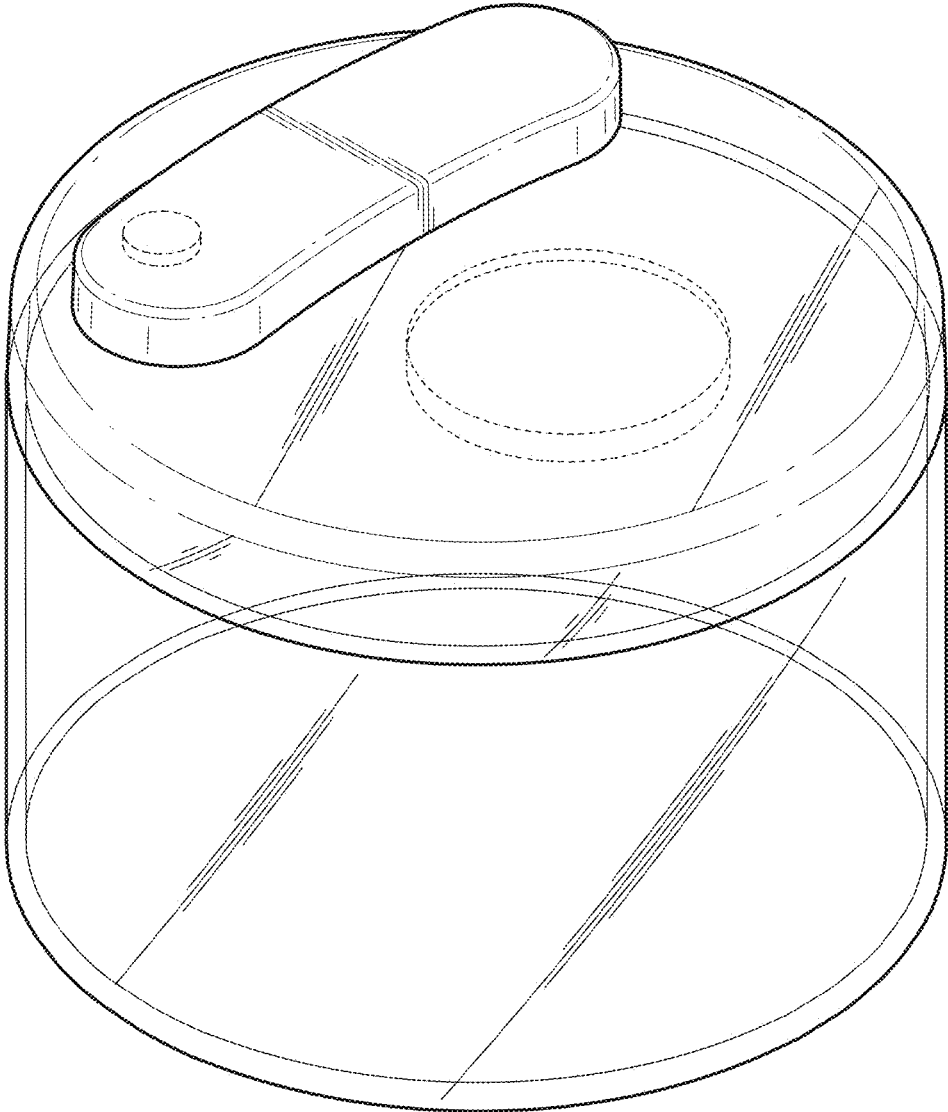
Facebook post showing sample containers, Oct. 22, 2016. <https://www.facebook.com/BudBarDisplays/photos/a.1250515684990657/1251439121564980/?type=3&theater> (continued).

Website photo. cannabisaroma cannapod. [www.budbardisplays.com](http://www.budbardisplays.com). Published Jan. 23, 2016.

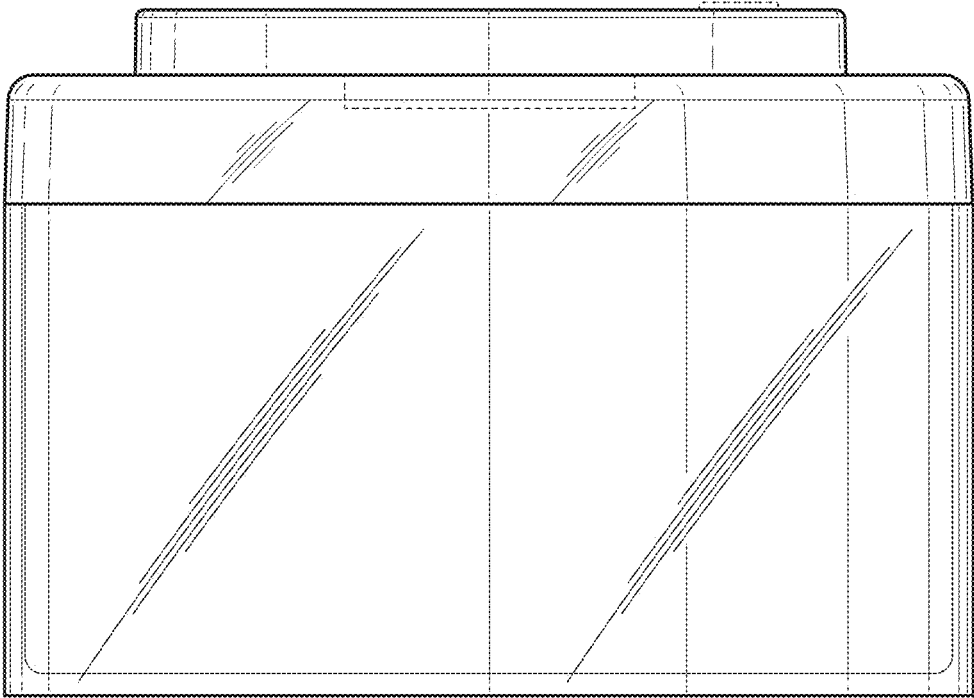
Author Unknown; Bud Pod Seals Airtight for Freshness; Published Sep. 4, 2018; Retrieved Nov. 5, 2019 from [www.budbardisplays.com/product/pods/bud-pod](http://www.budbardisplays.com/product/pods/bud-pod).

\* cited by examiner

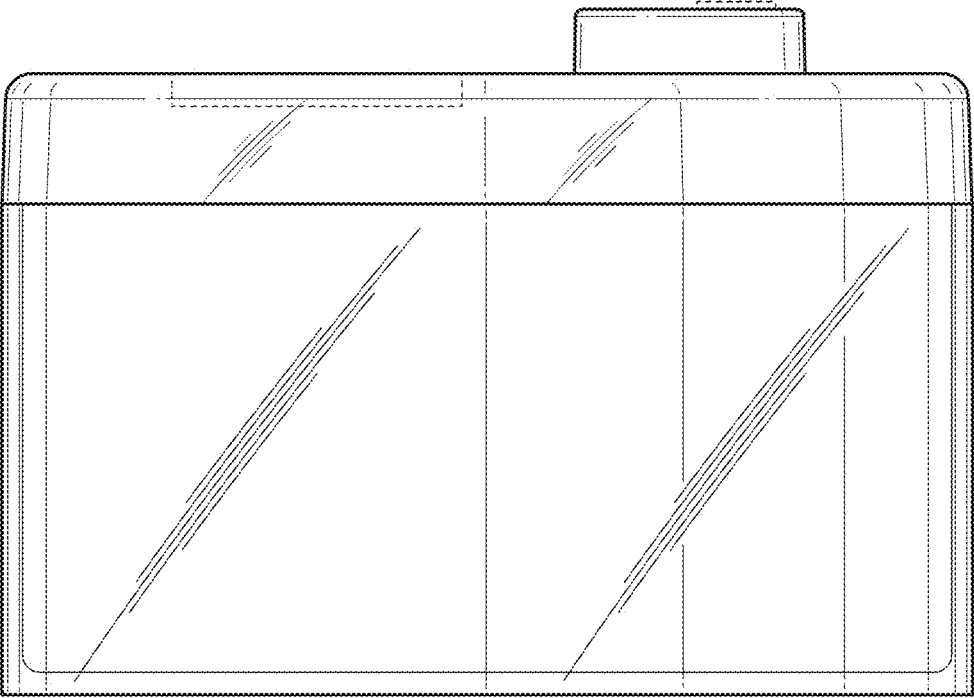
**FIG. 1**



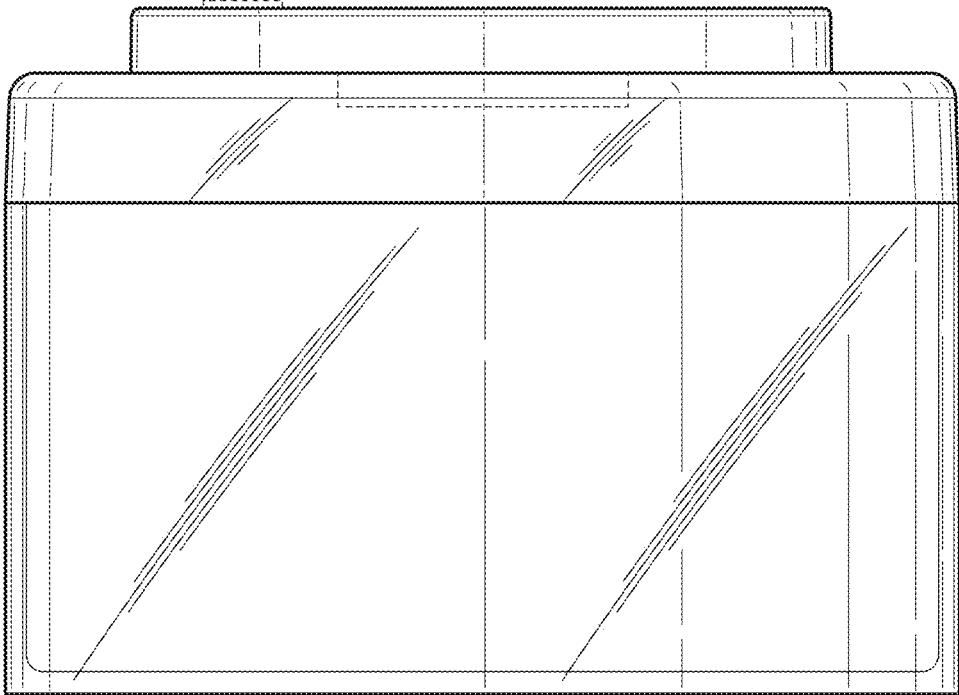
**FIG. 2**



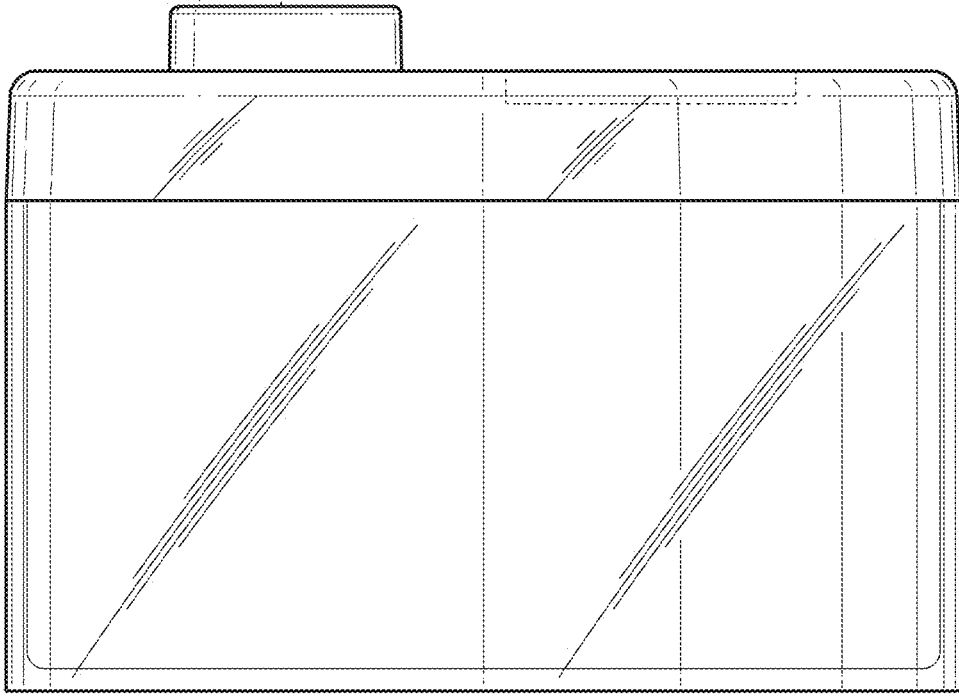
**FIG. 3**



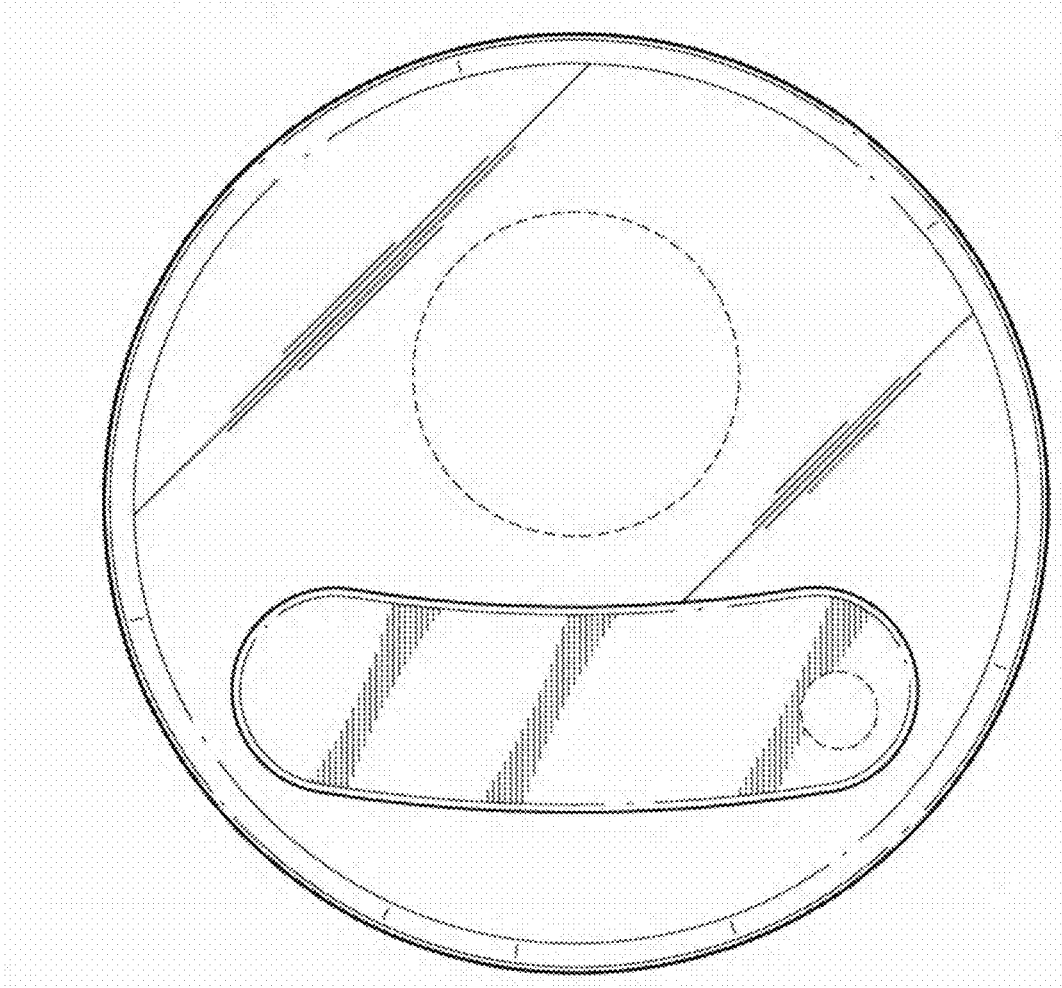
**FIG. 4**



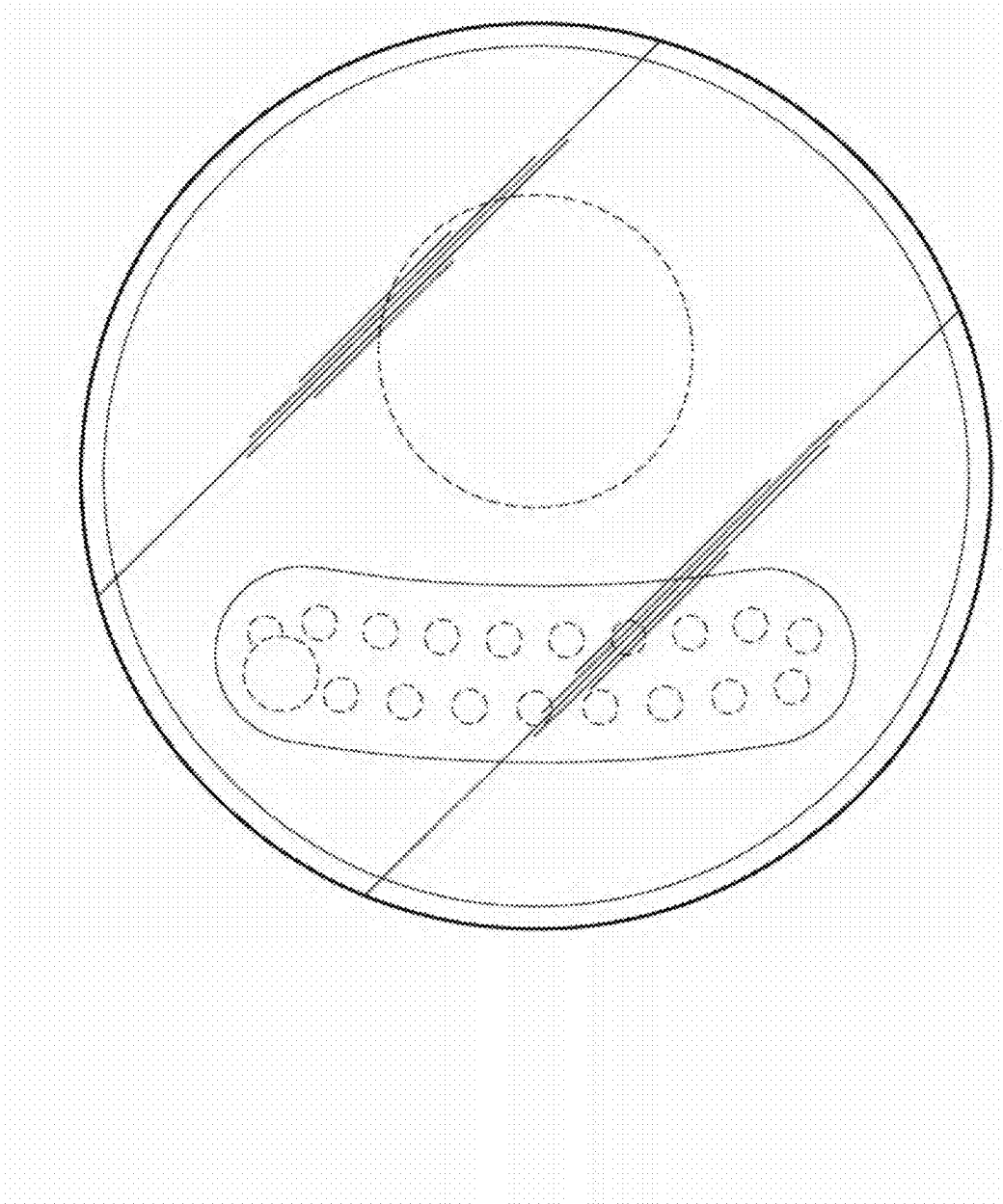
**FIG. 5**



**FIG. 6**



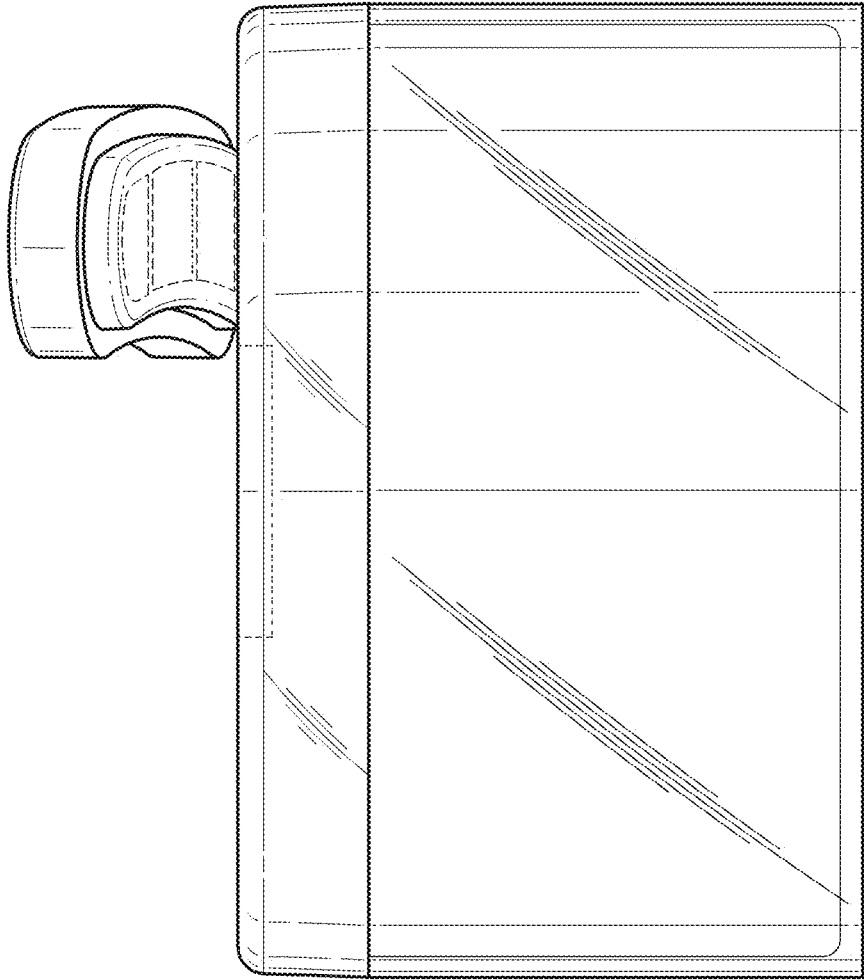
**FIG. 7**





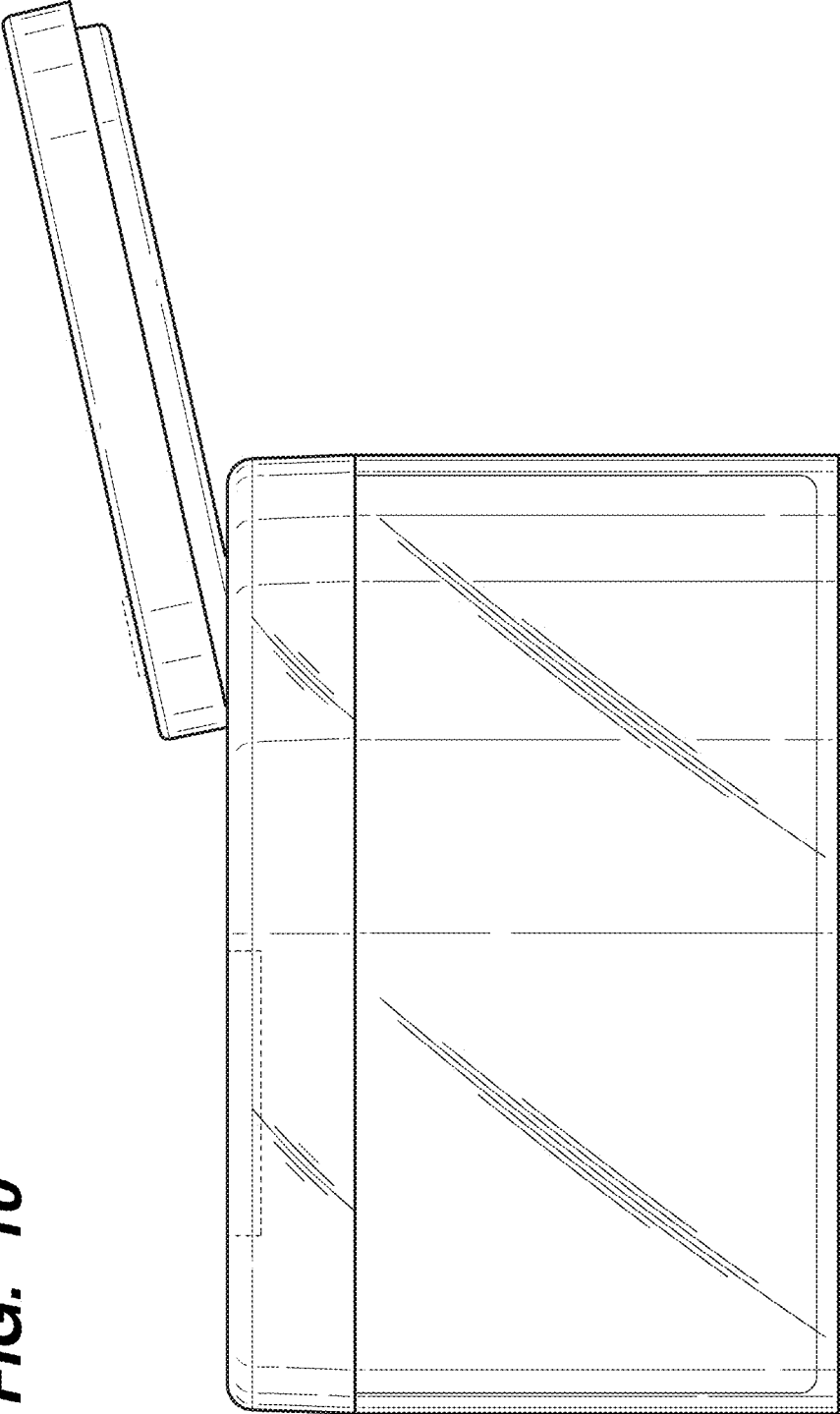
**FIG. 8**



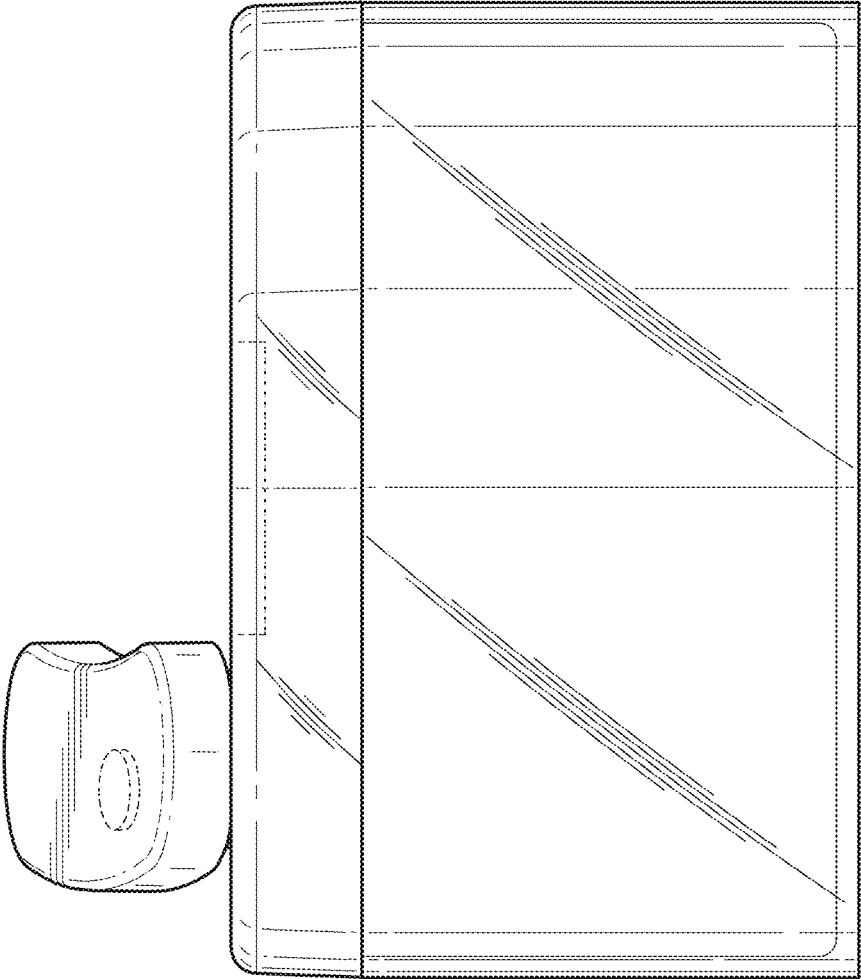


**FIG. 9**

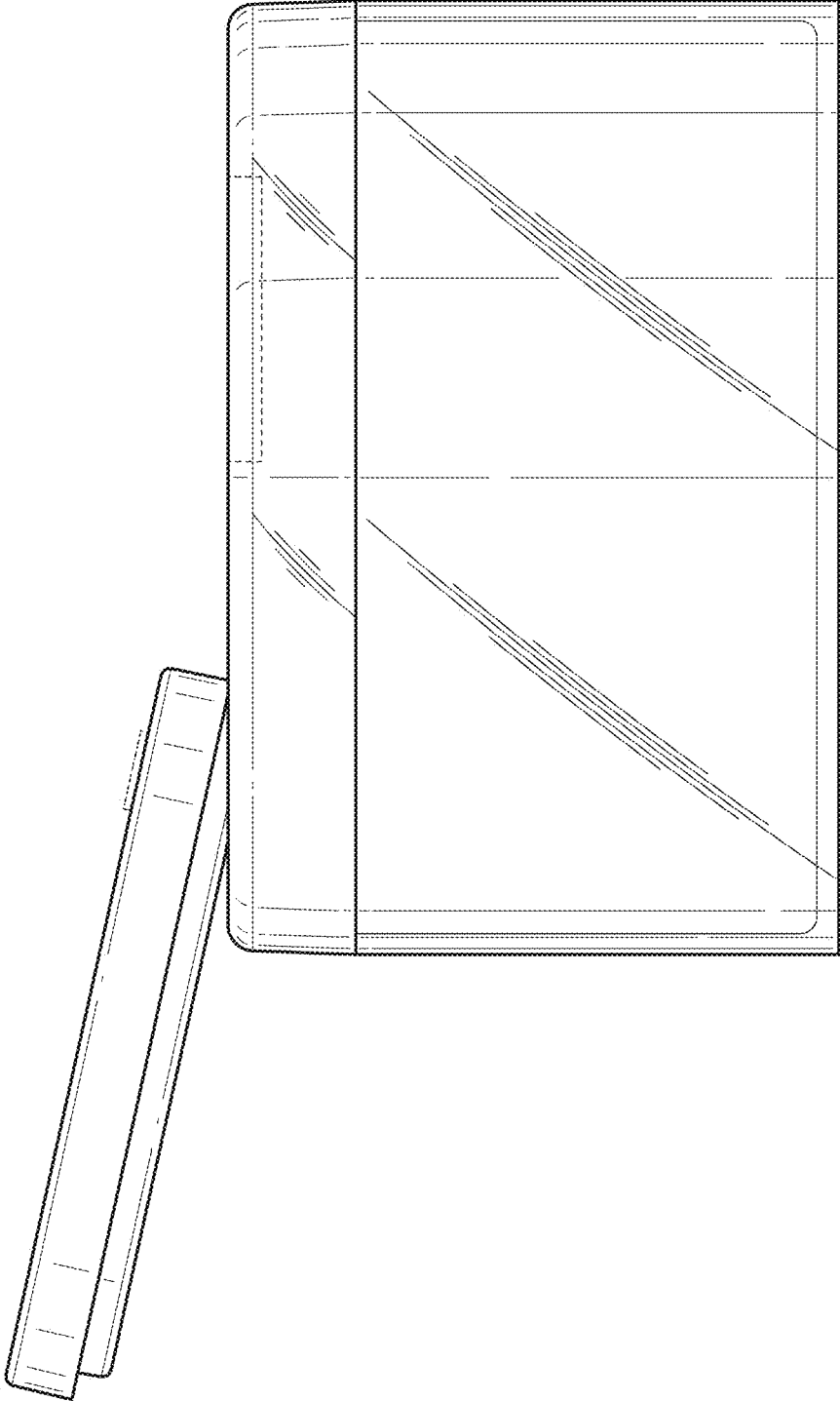
**FIG. 10**



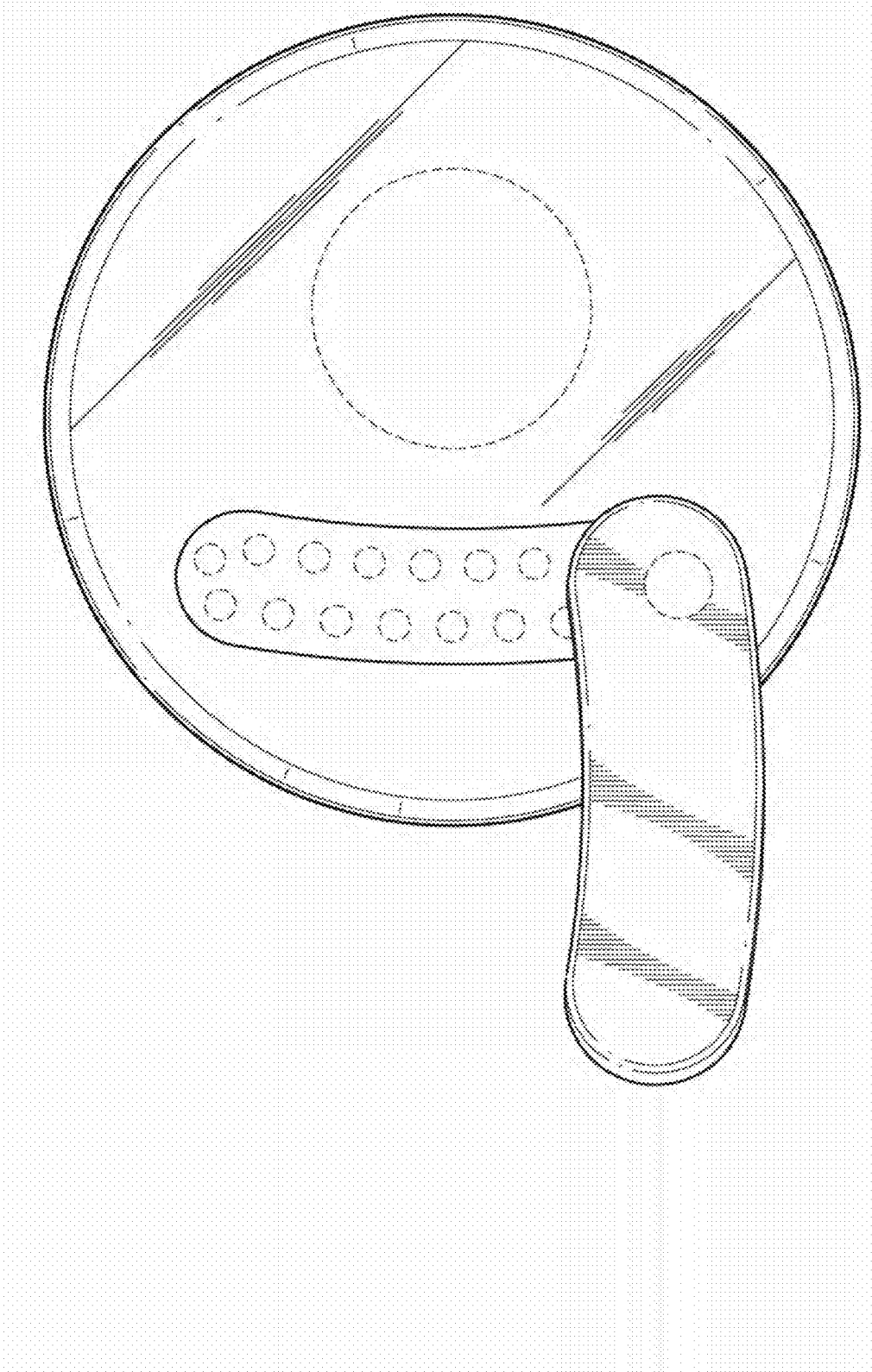
**FIG. 11**



**FIG. 12**



**FIG. 13**



**FIG. 14**

