



US00D756050S

(12) **United States Design Patent**  
**Lavoie**

(10) **Patent No.:** **US D756,050 S**

(45) **Date of Patent:** **\*\* May 10, 2016**

(54) **RECEPTACLE ASSEMBLY**

5,503,287 A \* 4/1996 Gammons ..... B65F 1/0066  
217/76

(71) Applicant: **TOMRA North America, Inc.**, Shelton,  
CT (US)

6,024,240 A 2/2000 Howard et al.  
6,047,843 A 4/2000 Mecke

(72) Inventor: **Peter Lavoie**, Shelton, CT (US)

**FOREIGN PATENT DOCUMENTS**

(73) Assignee: **TOMRA North America, Inc.**, Shelton,  
CT (US)

WO WO 99/11525 A1 3/1999

(\*\*) Term: **14 Years**

\* cited by examiner

(21) Appl. No.: **29/483,507**

*Primary Examiner* — Cynthia Ramirez

(22) Filed: **Feb. 28, 2014**

(74) *Attorney, Agent, or Firm* — Buchanan Ingersoll &  
Rooney P.C.

(51) **LOC (10) Cl.** ..... **09-09**

(57) **CLAIM**

(52) **U.S. Cl.**

The ornamental design for a receptacle assembly, as shown  
and described.

USPC ..... **D34/1**

(58) **Field of Classification Search**

**DESCRIPTION**

USPC ..... D34/1-12; 220/4.11, 908, 908.1, 909  
CPC ..... B65F 1/068; B65F 1/062; B65F 1/06;  
B65F 1/1615; B65F 1/1607; B65F 1/167;  
B65F 1/16; B65F 1/141

See application file for complete search history.

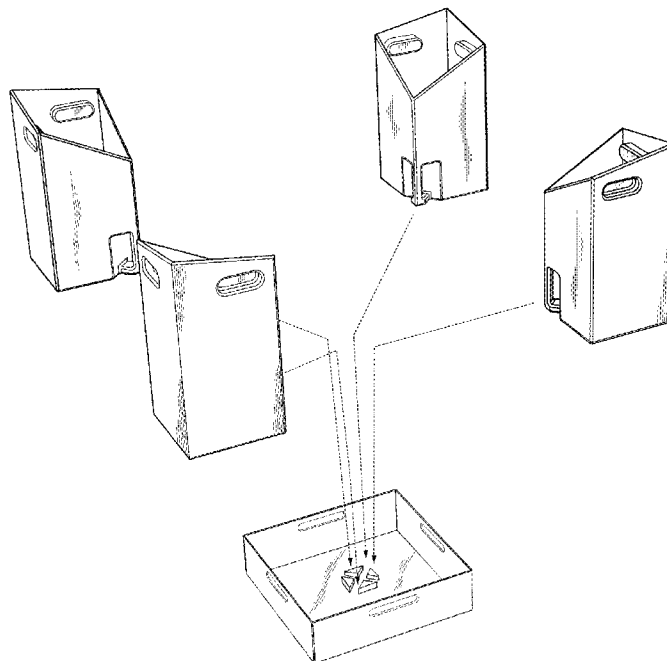
FIG. 1 is an exploded top perspective view of a receptacle  
assembly showing my new design;  
FIG. 2 is a bottom perspective view thereof;  
FIG. 3 is a top plan view thereof;  
FIG. 4 is a front elevational view thereof;  
FIG. 5 is a right side elevational view, the left side elevational  
being a mirror image thereof;  
FIG. 6 is a bottom plan view thereof;  
FIG. 7 is a top perspective view in an assembled configura-  
tion;  
FIG. 8 is a bottom perspective view thereof;  
FIG. 9 is a front elevational view thereof;  
FIG. 10 is a top plan view thereof;  
FIG. 11 is a right side elevational view thereof; and,  
FIG. 12 is a bottom plan view thereof.

(56) **References Cited**

**U.S. PATENT DOCUMENTS**

3,219,195 A \* 11/1965 Mize ..... B65F 1/141  
211/85.19  
3,625,370 A \* 12/1971 Mintz ..... B65F 1/141  
211/84  
4,874,111 A 10/1989 Heller  
5,046,635 A 9/1991 Haas et al.  
5,101,997 A \* 4/1992 Bagwell ..... B65F 1/0066  
220/23.4  
5,139,299 A \* 8/1992 Smith ..... B65F 1/0066  
220/23.4

**1 Claim, 10 Drawing Sheets**



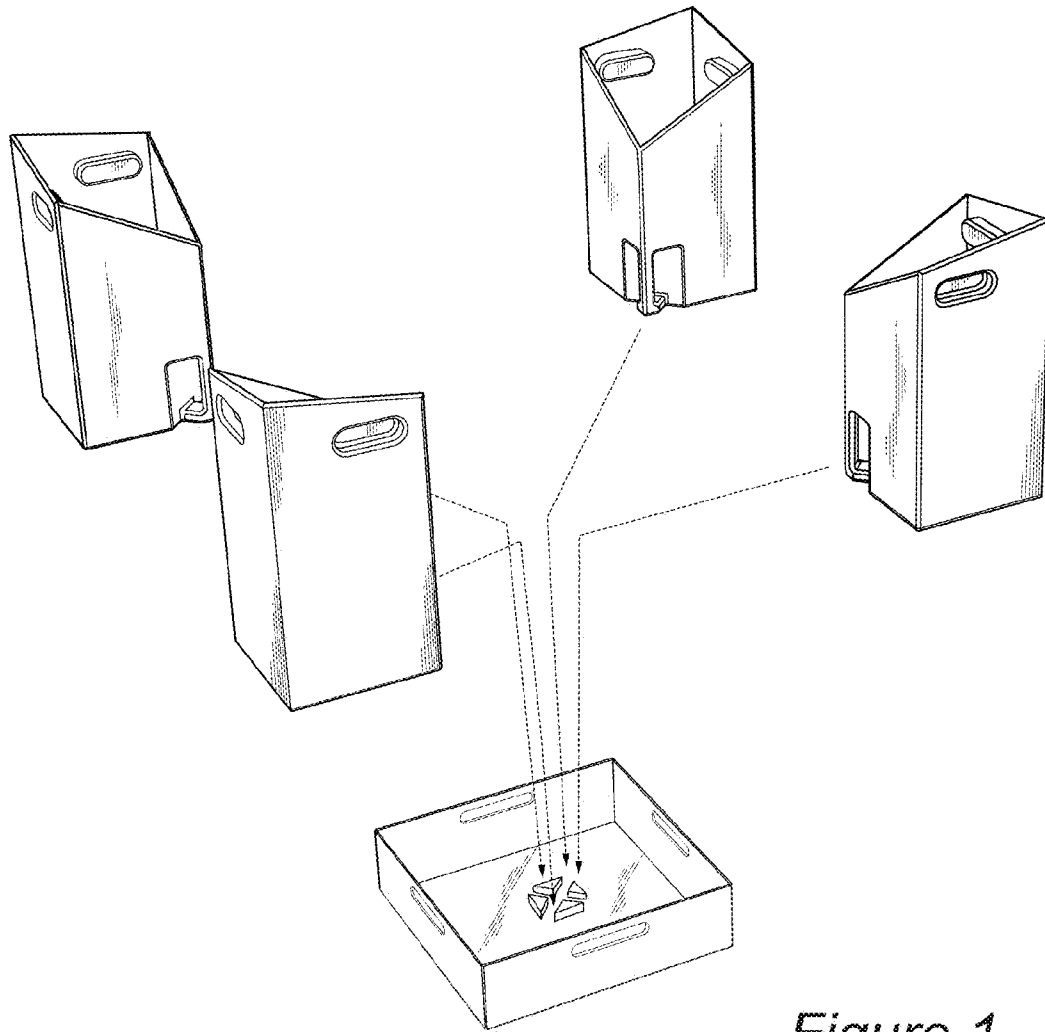


Figure 1

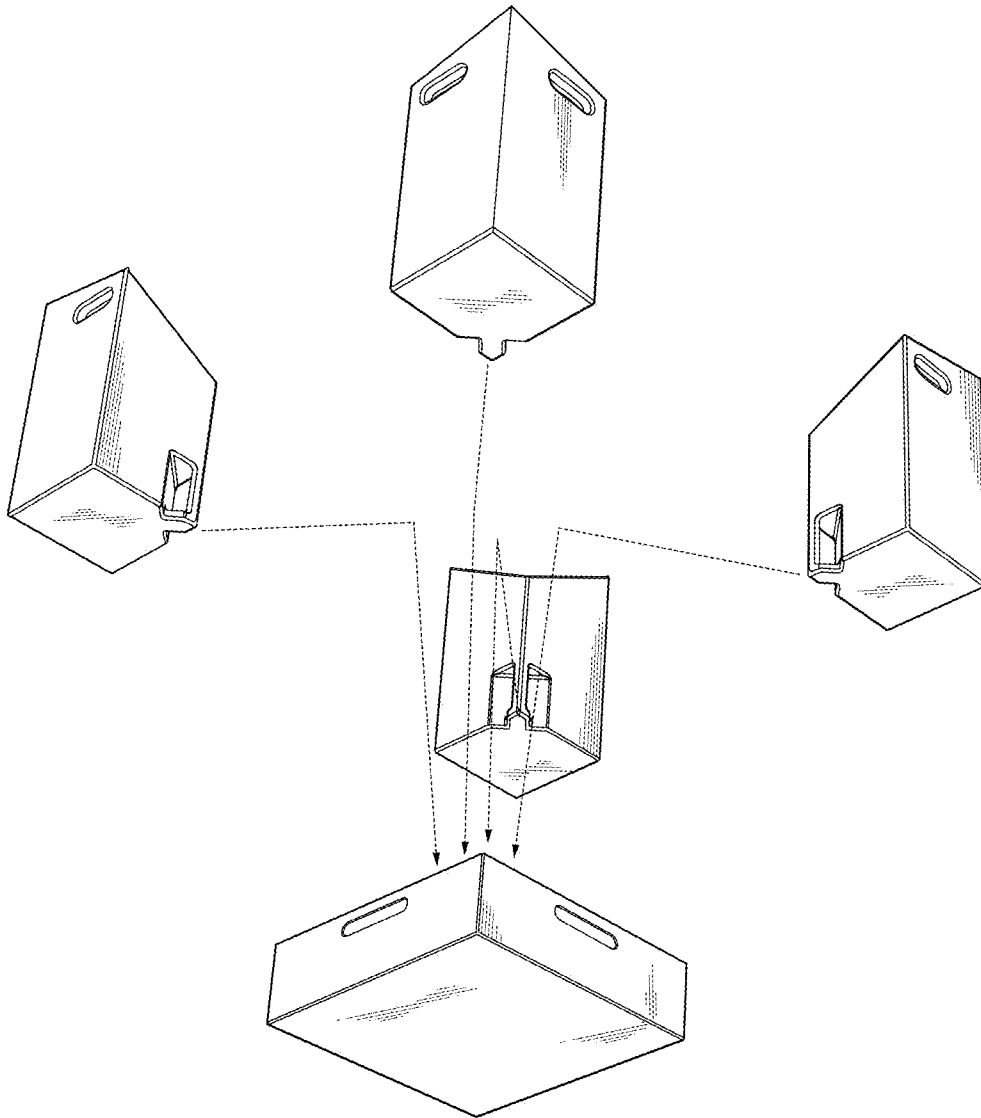


Figure 2

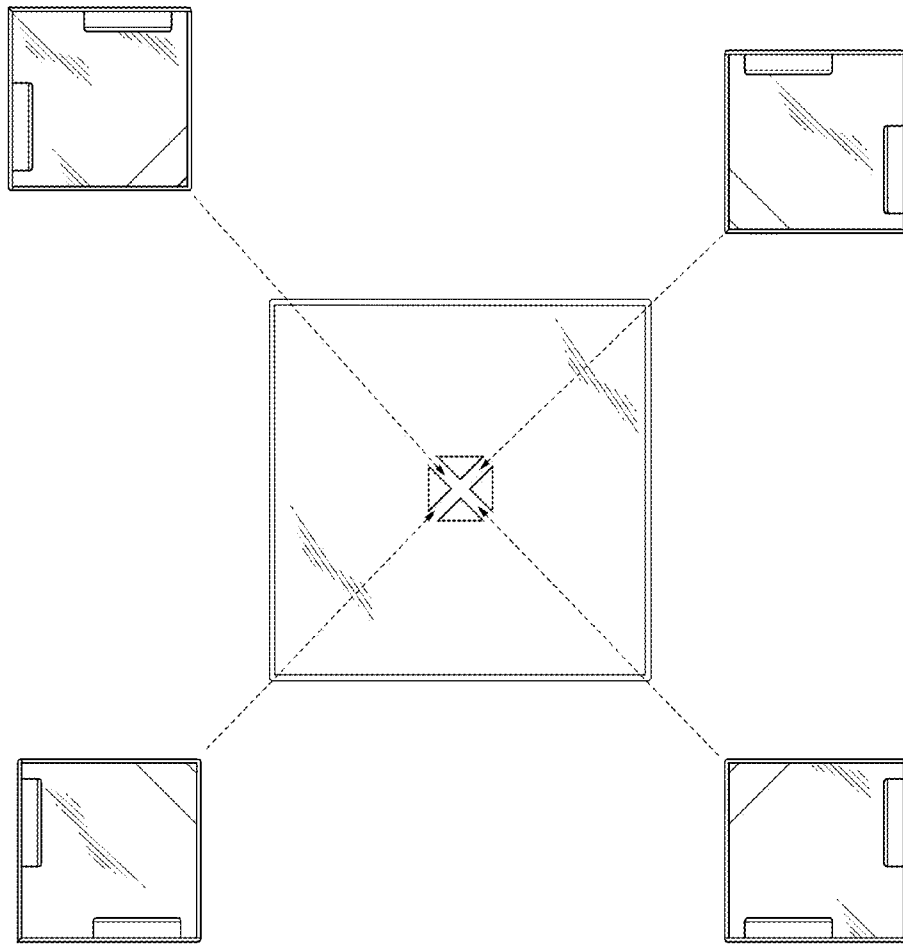
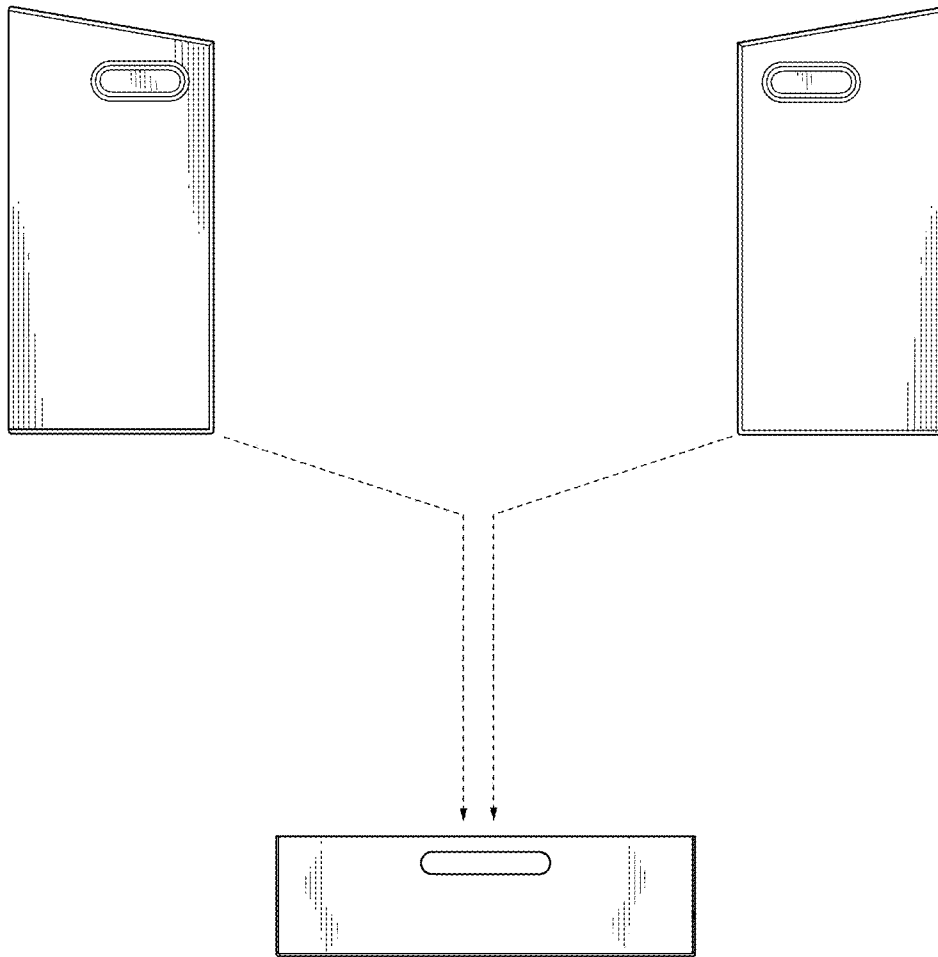
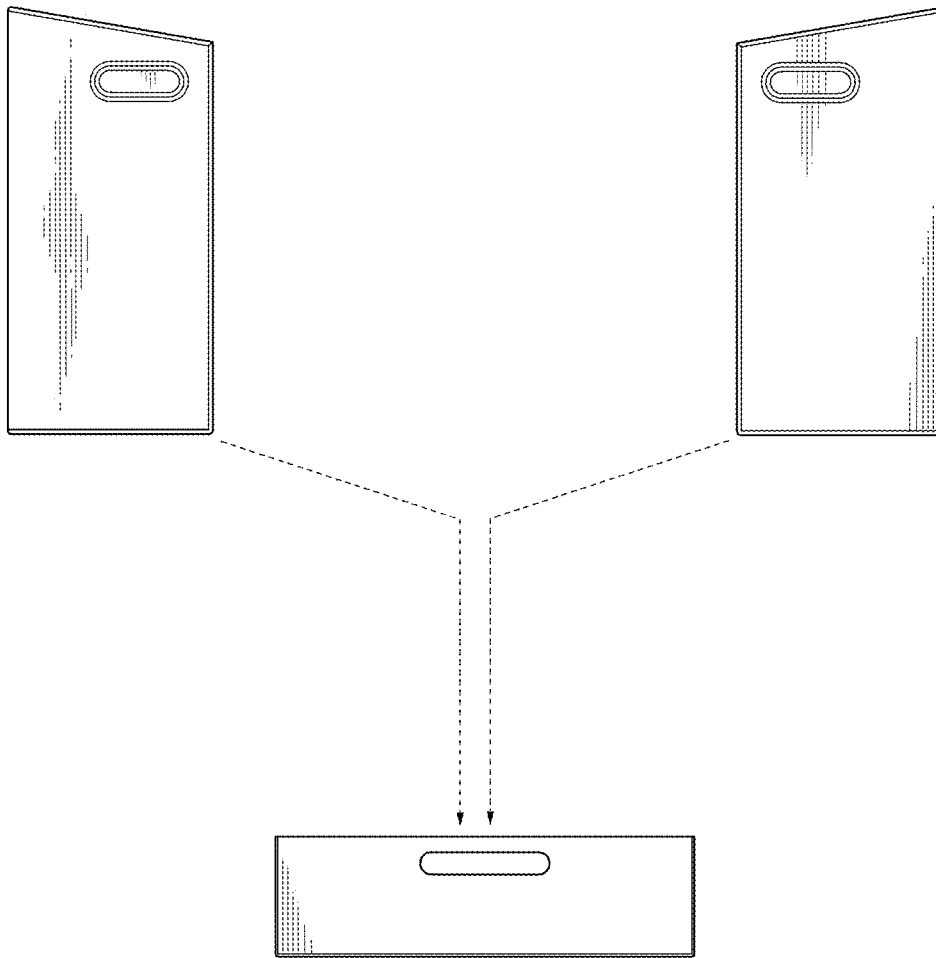


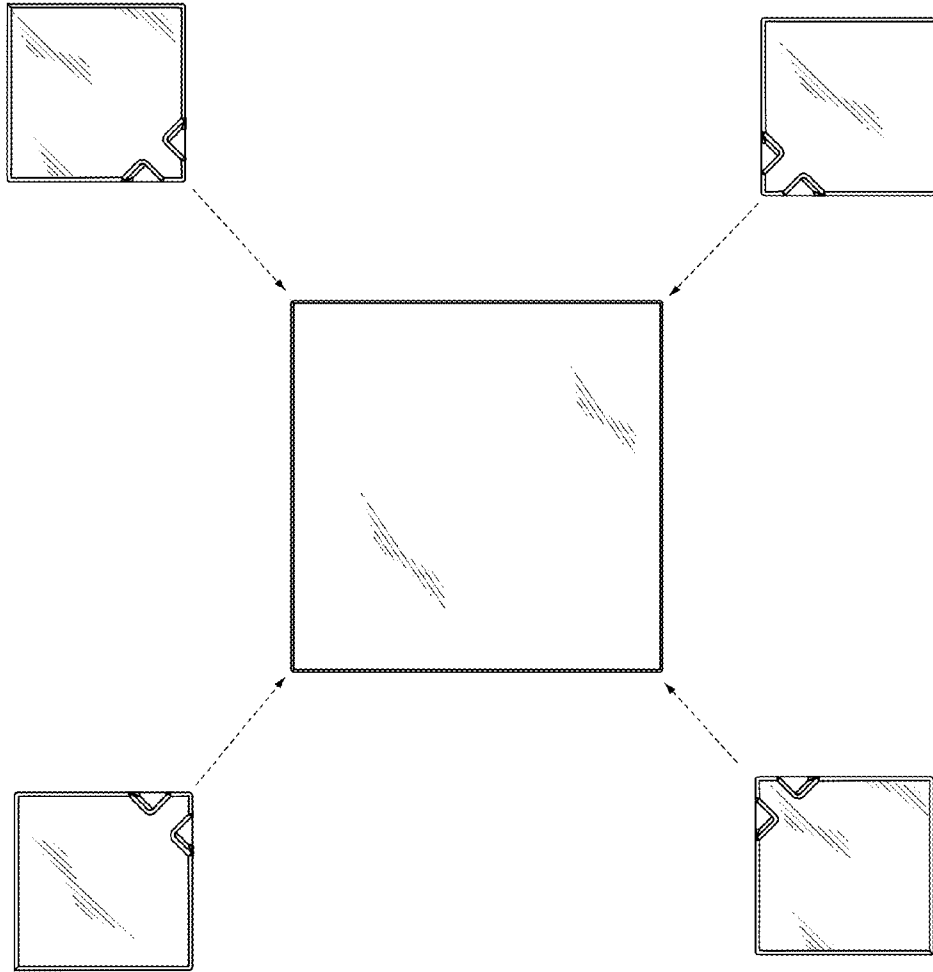
Figure 3



*Figure 4*



*Figure 5*



*Figure 6*

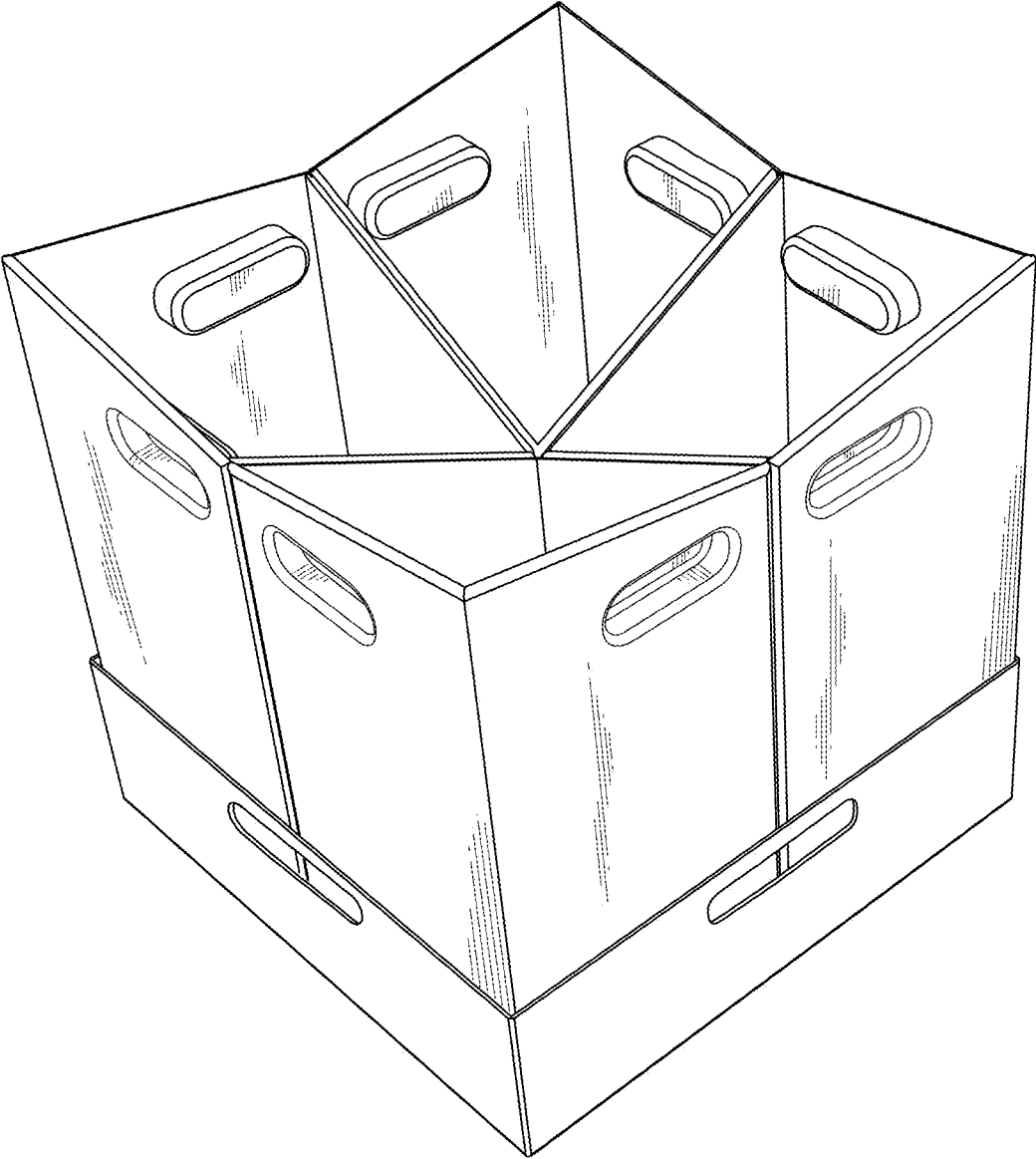


Figure 7



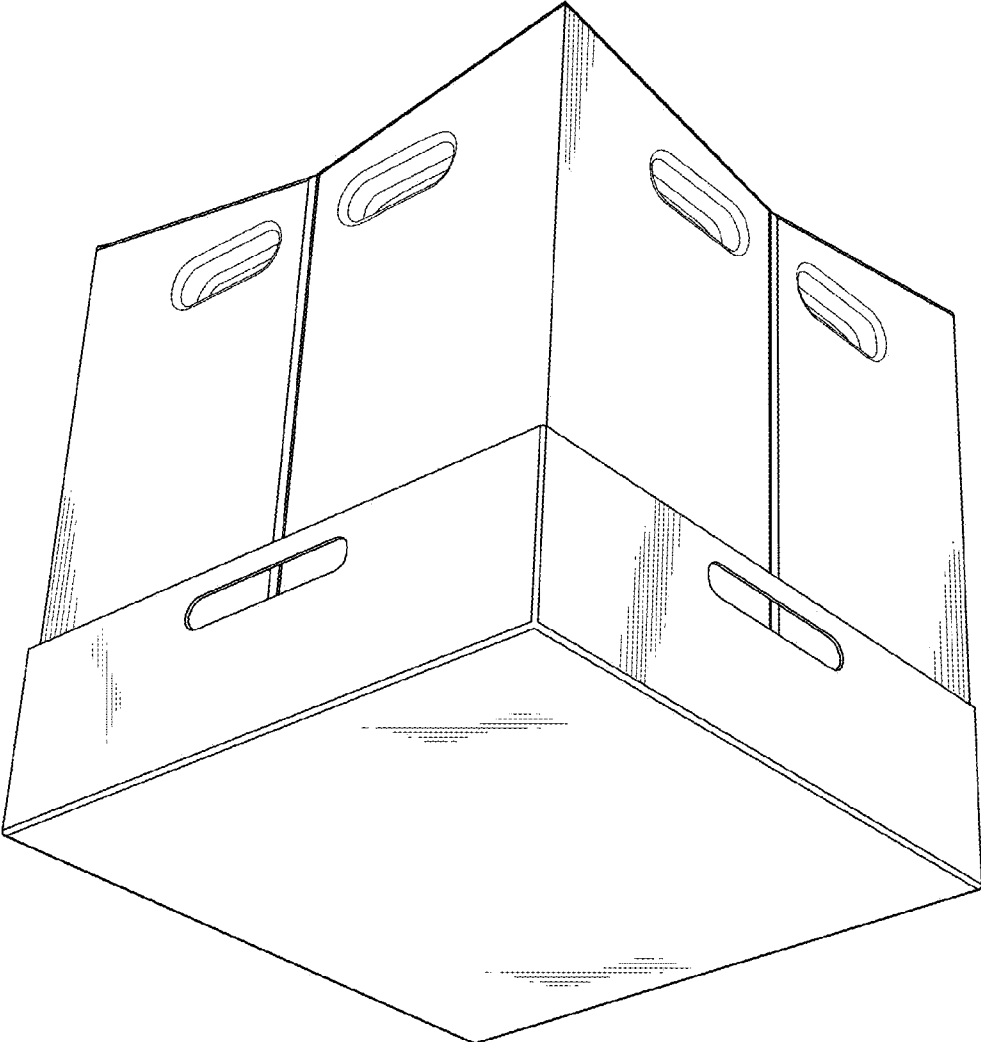


Figure 8

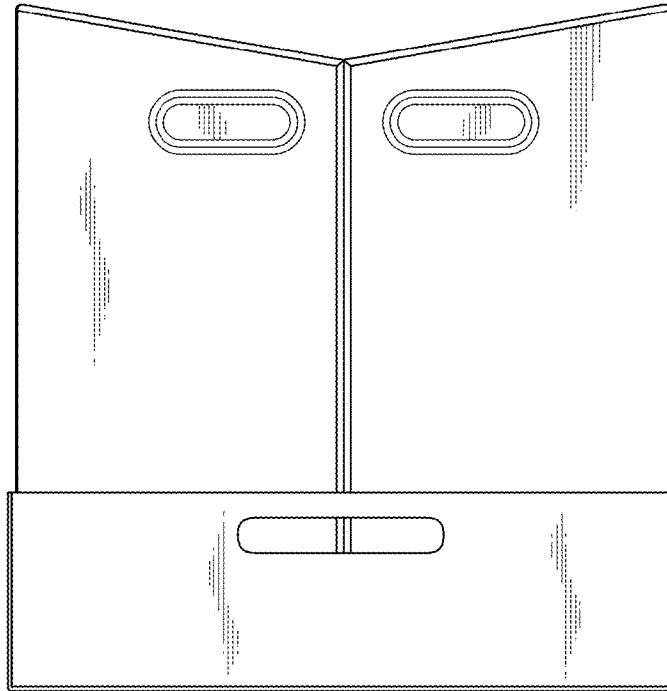


Figure 9

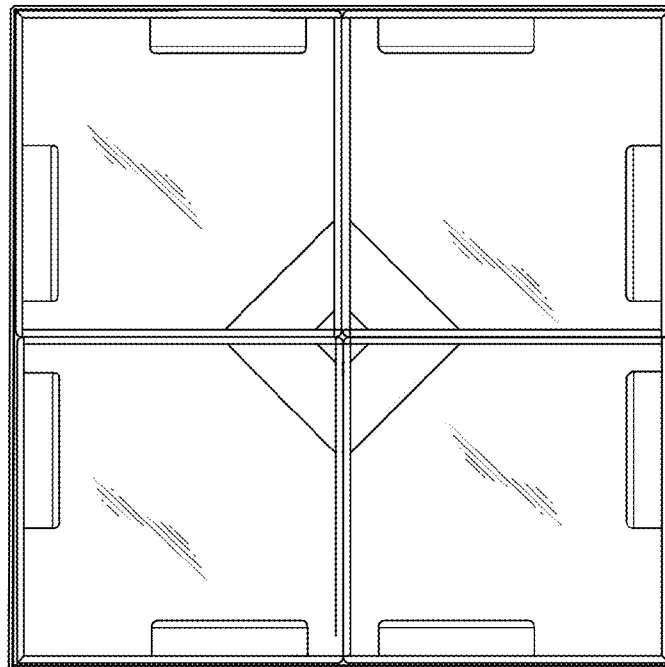


Figure 10

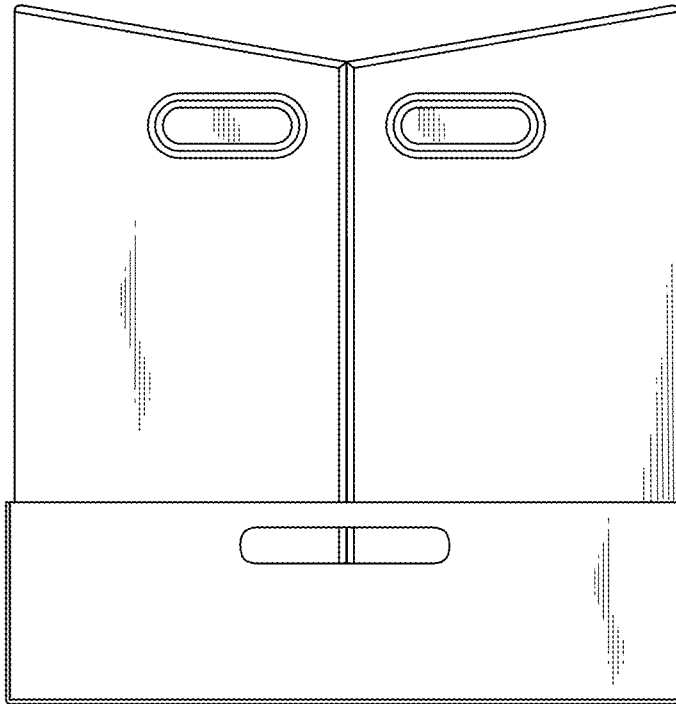


Figure 11

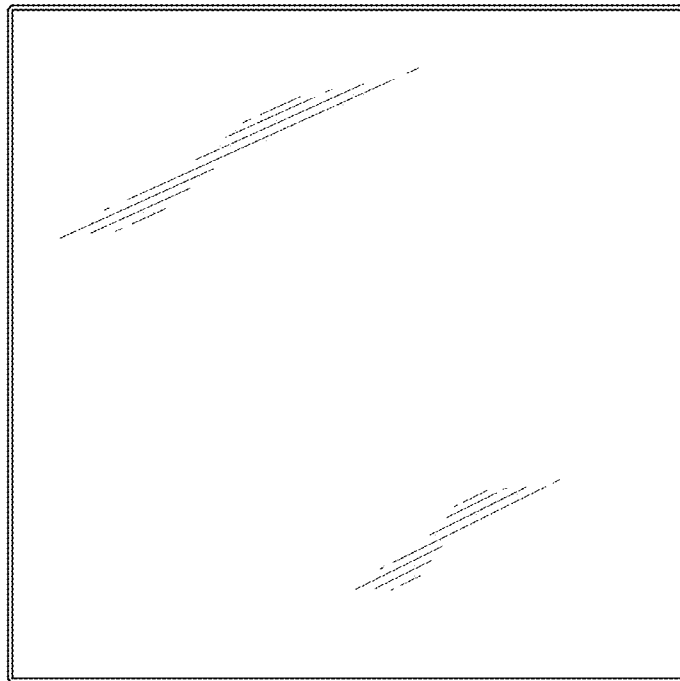


Figure 12