



US0D1002779S

(12) **United States Design Patent**
Rucci

(10) **Patent No.:** **US D1,002,779 S**

(45) **Date of Patent:** **** Oct. 24, 2023**

(54) **SHOULDER REST FOR A SHOOTING REST**

(71) Applicant: **Good Sportsman Marketing, LLC,**
Irving, TX (US)

(72) Inventor: **Thomas Rucci,** Henderson, NV (US)

(73) Assignee: **Good Sportsman Marketing, LLC,**
Irving, TX (US)

(**) Term: **15 Years**

(21) Appl. No.: **29/795,632**

(22) Filed: **Jun. 18, 2021**

(51) **LOC (14) Cl.** **22-01**

(52) **U.S. Cl.**
USPC **D22/108**

(58) **Field of Classification Search**
USPC D22/100, 101, 103, 108, 111, 199
CPC F41A 21/26; F41A 23/02; F41A 23/16;
F41C 23/00; F41C 23/06; F41C 23/20;
F41C 23/14

See application file for complete search history.

(56) **References Cited**

U.S. PATENT DOCUMENTS

3,225,656	A *	12/1965	Flaherty	F41A 23/06 89/37.04
4,621,563	A *	11/1986	Poencot	F41A 23/16 73/167
D300,343	S *	3/1989	Gannon	D22/108
D540,904	S *	4/2007	Werner	D22/108
7,784,212	B1 *	8/2010	Chilton	F41A 23/16 42/94
D656,214	S *	3/2012	Howland	D22/199
8,813,408	B1 *	8/2014	Knight, Sr.	F16M 13/04 224/149
D861,112	S *	9/2019	Lott	F16B 2/10 D22/100

11,543,206	B1 *	1/2023	Rucci	F41A 23/16
2005/0000141	A1 *	1/2005	Cauley	F41A 23/16 42/94
2008/0134555	A1 *	6/2008	Werner	F41A 23/16 42/69.01

(Continued)

OTHER PUBLICATIONS

“Birchwood Casey Bravo Comfortable Durable Adjustable Rifle Shooting Rest with Rigid Steel Frame & Non-Slip Rubber Stock Rest” [online]. Birchwood Casey. [Product first available on Mar. 18, 2021]. Retrieved from the Internet: <<https://www.amazon.com/dp/B08ZFW7JR7>>.*

(Continued)

Primary Examiner — Mojtaba Tehrani

(74) *Attorney, Agent, or Firm* — Lightbulb IP, LLC

(57) **CLAIM**

The ornamental design for a shoulder rest for a shooting rest, as shown and described.

DESCRIPTION

FIG. 1 is a front perspective view of a shoulder rest for a shooting rest.

FIG. 2 is a back perspective view of a shoulder rest for a shooting rest.

FIG. 3 is a front view of a shoulder rest for a shooting rest.

FIG. 4 is a back view of a shoulder rest for a shooting rest.

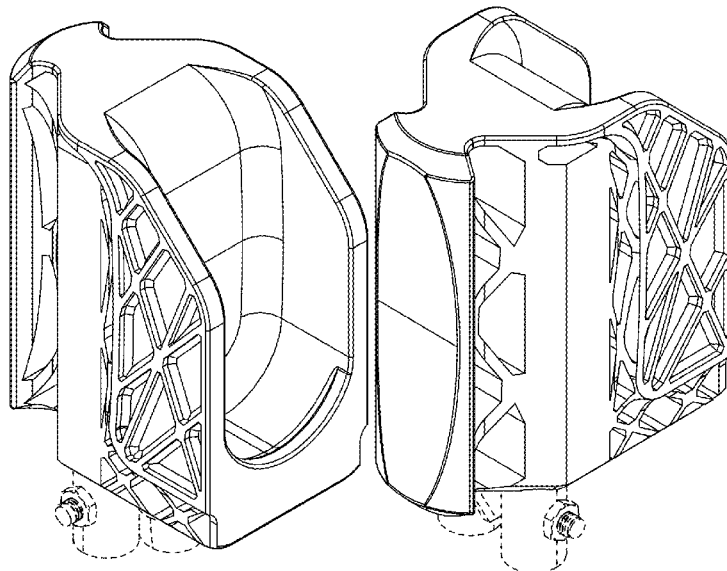
FIG. 5 is a side view of a shoulder rest for a shooting rest, the opposite side view of the shoulder rest for a shooting rest being a mirror image thereof.

FIG. 6 is a top view of a shoulder rest for a shooting rest; and,

FIG. 7 is a bottom view of a shoulder rest for a shooting rest.

The portions shown in broken lines in the illustrate an environment and are not part of the claimed design.

1 Claim, 4 Drawing Sheets



(56)

References Cited

U.S. PATENT DOCUMENTS

2008/0168697 A1* 7/2008 Potterfield F41A 23/16
53/447
2010/0126055 A1* 5/2010 Potterfield F41A 23/16
206/505
2010/0236125 A1* 9/2010 Morrow F41A 23/02
42/94
2011/0167705 A1* 7/2011 Cauley F41A 23/14
42/94
2011/0197748 A1* 8/2011 Roberts F41A 23/16
89/43.01
2014/0190060 A1* 7/2014 Sherman F41A 23/10
42/94
2021/0080217 A1* 3/2021 Richards F16M 13/022
2022/0404113 A1* 12/2022 Rucci F41A 23/16
2023/0030981 A1* 2/2023 Woodbury F41A 23/02

OTHER PUBLICATIONS

“Birchwood Casey Foxtrot Rifle & Pistol Shooting Rest—
Comfortable Durable Adjustable Gun Rest with Non-Marring Mate-
rial & Detachable Rear Rest—Fits Most Rifles” [online]. Birchwood
Casey. [Product first available on Mar. 18, 2021]. Retrieved from the
Internet: <<https://www.amazon.com/dp/B08ZG23HZ2>>.*
“Birchwood Casey Echo Shooting Rest—Multi” [online]. Birchwood
Casey. [Product first available on Mar. 18, 2021]. Retrieved from the
Internet: <<https://www.amazon.com/dp/B08ZG6Z7BC>>.*

* cited by examiner

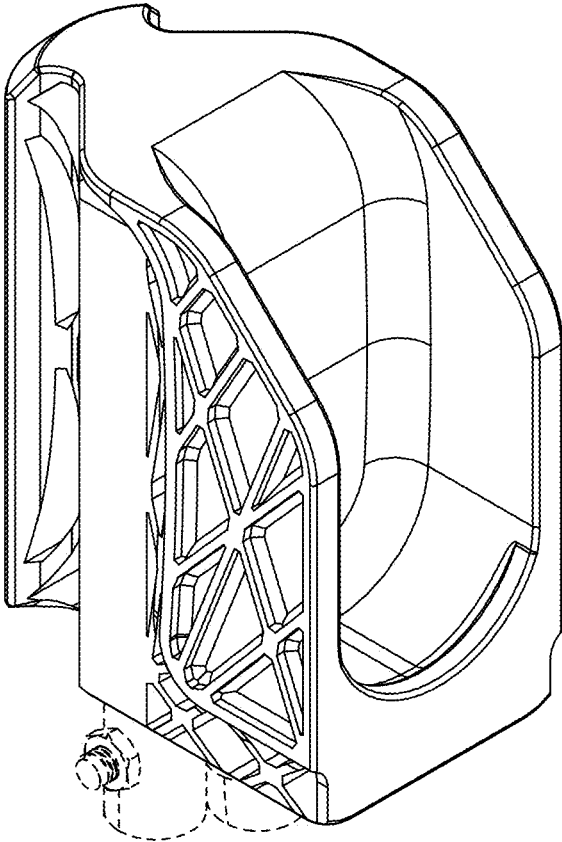


FIG. 1

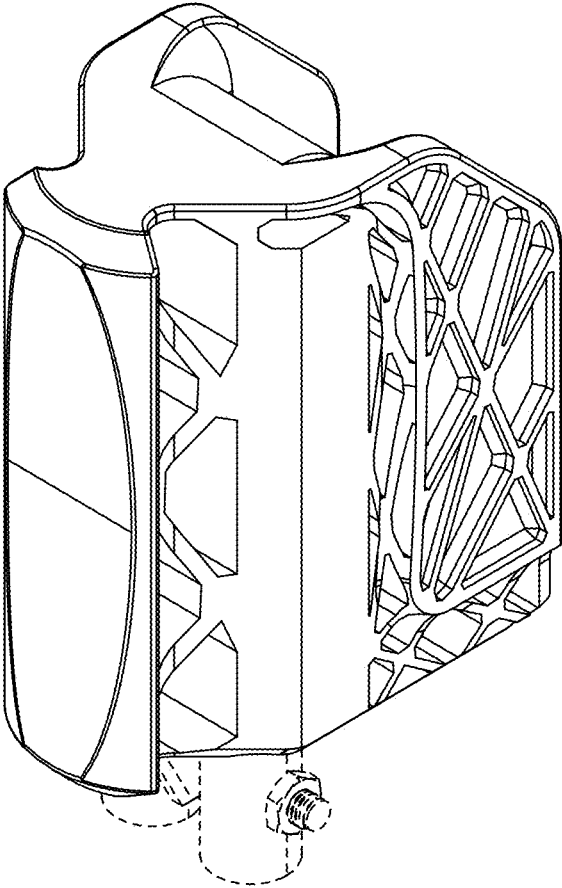


FIG. 2

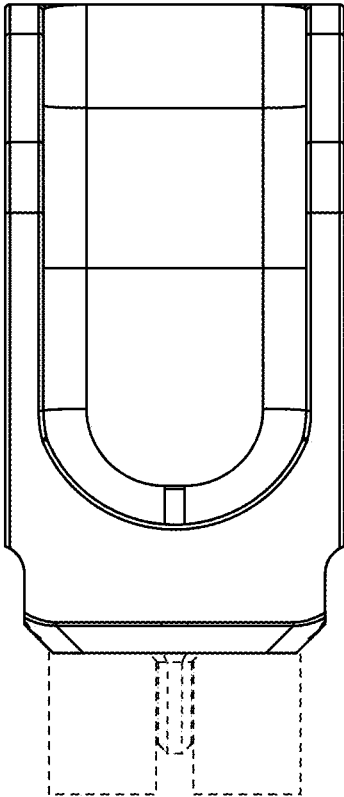


FIG. 3

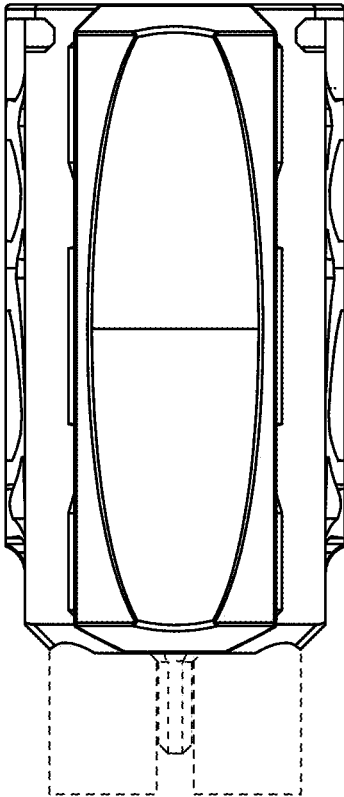


FIG. 4

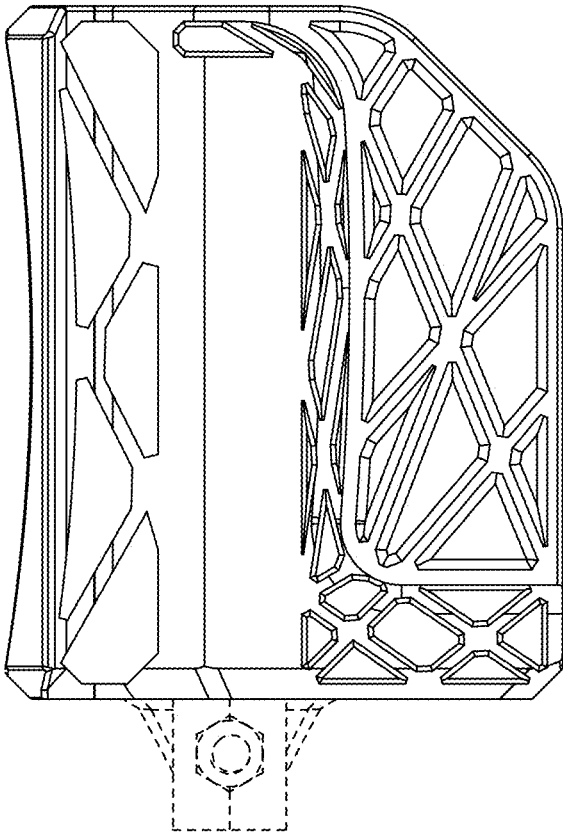


FIG. 5

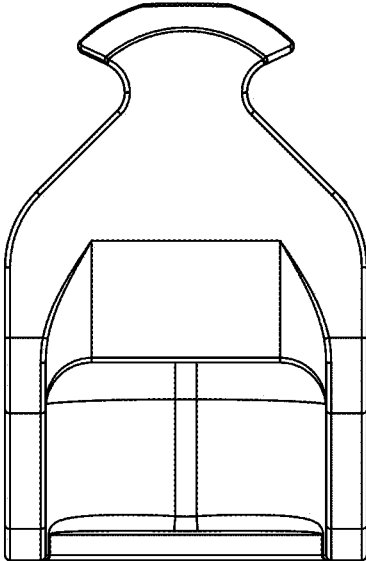


FIG. 6

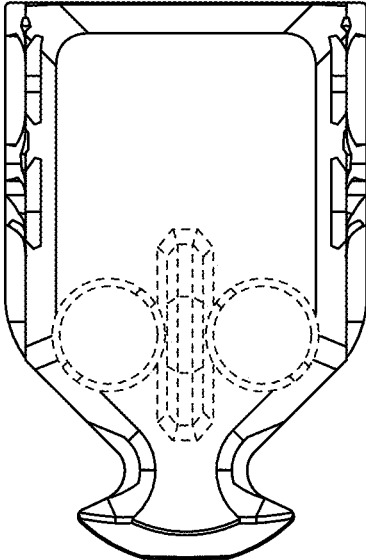


FIG. 7