



US00D879793S

(12) **United States Design Patent**
Glickstein et al.

(10) **Patent No.:** **US D879,793 S**
(45) **Date of Patent:** **** Mar. 31, 2020**

(54) **MONITOR SUPPORT**

(71) Applicant: **Humanscale Corporation**, New York, NY (US)

(72) Inventors: **Jacob Glickstein**, New York, NY (US);
Jacob Turetsky, New York, NY (US)

(73) Assignee: **Humanscale Corporation**, New York, NY (US)

(**) Term: **15 Years**

(21) Appl. No.: **29/668,160**

(22) Filed: **Oct. 29, 2018**

(51) **LOC (12) Cl.** **14-02**

(52) **U.S. Cl.**
USPC **D14/452**

(58) **Field of Classification Search**

USPC D14/371-382, 125-129, 335-337,
D14/447-452, 492, 239, 457, 439-441,
D14/432, 251-253, 434; D8/349, 354,
D8/363, 373, 376, 380; 348/180, 184,
348/325, 739, 825; D12/407, 415;
D3/218; 341/12; 248/323, 278.1, 286.1
CPC G06F 3/0412; G06F 3/016; G06F 3/0488;
G06F 3/011; G06F 3/038; G06F 3/03543;
G06F 3/0338; G06F 3/0202; G06F
3/0219; G06F 3/0213; G06F 1/1616;
G06F 3/023; G06F 3/04883; G02F
1/13338; G02F 1/1313; G02F 1/1333;
G02F 1/135; G02F 1/132; G02F
1/133308; G02F 1/134309; G02F
1/13718; G09G 3/3648; G06K 15/1252;
B41J 2/465; G03F 7/70291; G02B
27/0172; G02B 5/30; G02B 2027/0118;
G02B 27/0101; F16M 13/02; F16M
13/00; F16M 11/10; F16M 11/04; F16M
2200/08; F16M 11/2021; A47B 21/0314;
A47B 88/044; A47B 2021/0335; H02G
3/126; F16B 47/00; F16B 47/006; A47G
1/17; A47K 2201/00

See application file for complete search history.

(56) **References Cited**

U.S. PATENT DOCUMENTS

D275,431 S 9/1984 Usah
D391,148 S * 2/1998 Rosen D14/452
(Continued)

FOREIGN PATENT DOCUMENTS

EP 0481159 2/1991
WO D008784-001 8/1987

OTHER PUBLICATIONS

Amazon.<URL:https://www.amazon.com/dp/BOOBRBX3DM/ref=asc_df_BOOBRBX3DM5102834/?tag=hyprod/ OC2cYOAD2O &.creative=394997&creativeASIN=BOOBRX3DM&linkCode=/OE2')/080%A6.>Mar. 29, 2013, Ergotron Mounting Arm, 9 pgs.

(Continued)

Primary Examiner — Katie Jane Stofko

(74) *Attorney, Agent, or Firm* — Womble Bond Dickinson (US) LLP

(57) **CLAIM**

The ornamental design for a monitor support, as shown and described.

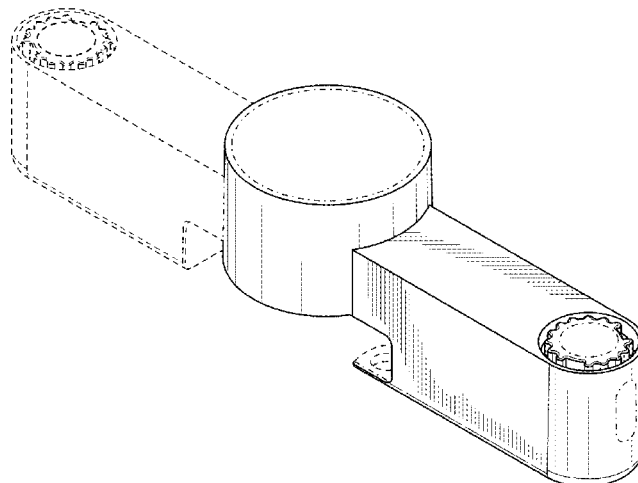
DESCRIPTION

FIG. 1 is a top front right perspective view of a monitor support, showing our new design;
FIG. 2 is a front view thereof;
FIG. 3 is a rear view thereof;
FIG. 4 is a top plan view thereof;
FIG. 5 is a bottom plan view thereof;
FIG. 6 is a right side view thereof; and,
FIG. 7 is a left side view thereof.

The dash-dash lines in the figures show features that form no part of the claimed design.

The dash-dot lines in the figures represent the unclaimed boundary of the claimed design.

1 Claim, 4 Drawing Sheets



(56)

References Cited

U.S. PATENT DOCUMENTS

D391,945 S 3/1998 Rosen
 5,743,503 A * 4/1998 Voeller F16M 11/08
 248/284.1
 5,799,917 A 9/1998 Li
 D406,228 S 3/1999 Vogels
 D429,251 S 8/2000 Sundy
 D435,107 S 12/2000 Blair
 D435,852 S * 1/2001 Oddsen, Jr. D14/452
 D462,969 S 9/2002 Scharer
 D486,486 S 2/2004 Jobs
 6,695,270 B1 2/2004 Smed
 D496,367 S * 9/2004 Pfister D14/451
 D503,917 S 8/2005 Wills
 6,935,883 B2 8/2005 Oddsen, Jr.
 D509,826 S 9/2005 Jobs
 D512,698 S 12/2005 Augenbraun et al.
 D521,996 S 5/2006 Kim
 D522,010 S 5/2006 Piazza et al.
 D537,323 S 2/2007 Saez
 7,207,537 B2 4/2007 Hung
 D541,807 S 5/2007 Oddsen, Jr.
 D542,297 S 5/2007 Hung
 7,252,277 B2 8/2007 Sweere
 D556,205 S * 11/2007 Wohlford D14/452
 D557,125 S 12/2007 Worrall et al.
 D559,662 S * 1/2008 Sculler D8/380
 7,338,022 B2 3/2008 Hung
 7,389,965 B2 6/2008 Oddsen, Jr. et al.
 7,395,995 B2 7/2008 Chen
 D584,734 S 1/2009 Chu
 7,510,155 B2 3/2009 Huang et al.
 7,540,457 B2 6/2009 Oddsen, Jr. et al.
 D598,917 S 8/2009 Luber
 D606,548 S 12/2009 Sapper
 D608,771 S 1/2010 Hsu
 7,677,515 B2 * 3/2010 Oddsen, Jr. F16M 11/2014
 248/274.1
 7,677,518 B2 3/2010 Chouinard et al.
 7,694,927 B2 * 4/2010 Chuang F16M 11/041
 248/276.1
 D622,900 S * 8/2010 Chiu D26/140
 D624,083 S 9/2010 Scheper et al.
 D624,084 S 9/2010 Scheper et al.
 D627,474 S 11/2010 Nordgren
 D631,052 S 1/2011 Hung
 D636,765 S 4/2011 Molter et al.
 D643,042 S 8/2011 Saelid
 D651,199 S 12/2011 Huang
 D652,030 S * 1/2012 Dolack D14/239
 D654,503 S 2/2012 Sapper
 D655,297 S * 3/2012 Magnusson D14/452
 D655,532 S 3/2012 Saelid
 D660,845 S * 5/2012 Schmauch D14/452
 8,191,487 B2 6/2012 Theesfeld et al.
 8,254,092 B2 * 8/2012 Russell F16M 11/08
 248/125.7
 D668,256 S 10/2012 Matteo
 D668,257 S 10/2012 Tsai
 D679,016 S 3/2013 Jarva
 D685,806 S 7/2013 Kim et al.
 D688,674 S 8/2013 Lau et al.
 D690,306 S 9/2013 Malisse
 8,720,838 B2 5/2014 Bowman
 D708,259 S * 7/2014 Fagan D19/108
 D709,896 S 7/2014 McKinstry
 8,777,172 B2 7/2014 Sapper
 8,839,723 B2 9/2014 Hazzard et al.
 D714,775 S 10/2014 Yoo
 D715,938 S 10/2014 Li et al.
 D719,821 S * 12/2014 McGrath D8/382

8,931,748 B2 * 1/2015 Bowman F16M 11/10
 248/280.11
 D724,072 S 3/2015 Jiang
 9,074,721 B2 7/2015 Lau et al.
 9,080,721 B2 7/2015 Hazzard et al.
 D735,727 S 8/2015 Dugger
 D740,830 S 10/2015 Chu
 D745,873 S 12/2015 Xiang et al.
 D747,179 S 1/2016 Xiang et al.
 9,267,639 B2 2/2016 Sweere et al.
 D751,565 S 3/2016 Gross
 D751,566 S 3/2016 Anderson
 9,277,812 B2 * 3/2016 Bennett F16M 11/126
 D758,375 S 7/2016 Won et al.
 9,400,083 B2 7/2016 Sapper et al.
 D769,881 S 10/2016 Lazzi et al.
 9,599,275 B1 * 3/2017 Parduhn F21V 27/00
 D787,522 S 5/2017 Lee
 9,657,889 B1 5/2017 Chumakov
 D792,419 S 7/2017 Shen
 D796,519 S 9/2017 Hung
 9,760,119 B2 * 9/2017 Hung G04G 17/04
 D798,848 S 10/2017 Frank
 D805,085 S 12/2017 Xiang et al.
 D807,373 S 1/2018 Thetard
 D812,066 S 3/2018 Lazzi
 D848,819 S * 5/2019 French D8/349
 2004/0159757 A1 * 8/2004 Pfister F16M 11/10
 248/284.1
 2005/0284991 A1 12/2005 Saez
 2006/0022102 A1 * 2/2006 Dittmer F16M 11/041
 248/276.1
 2006/0266903 A1 * 11/2006 Oddsen, Jr. F16M 11/10
 248/274.1
 2007/0040084 A1 2/2007 Sturman et al.
 2008/0315048 A1 12/2008 Sakata
 2011/0147546 A1 6/2011 Monsalve et al.
 2011/0260017 A1 10/2011 Monsalve et al.
 2011/0303805 A1 12/2011 Lau
 2011/0315843 A1 12/2011 Hung
 2012/0119040 A1 5/2012 Ergun et al.
 2012/0187056 A1 7/2012 Hazzard
 2012/0267497 A1 10/2012 Bowman
 2013/0126682 A1 5/2013 Tholkes et al.
 2013/0161465 A1 * 6/2013 Huang F16M 11/08
 248/278.1
 2014/0137773 A1 5/2014 Mandel et al.
 2014/0367137 A1 12/2014 Leung
 2018/0372261 A1 * 12/2018 Vlaar F16M 11/08

OTHER PUBLICATIONS

Dell Monitor Stand User's Guide (USB 3.0 Dock MKS14), Aug. 2015, 23 pgs.
 Ergotron DS100 Quad-Monitor Desk Stand, <http://ergotron.com/ProductsDetails/tabid/65/PRDID/196/language/en-US/Default.aspx>, known at least as early as Jun. 7, 2016, 2 pgs.
 Humanscale's Quickstand Workstation, <http://www.humanscale.com/products/product.cfm?group=quickstand>, known at least as early as Jun. 7, 2016, 3 pgs.
 M2 Monitor Arm Brochure, Humanscale, known at least as early as Dec. 21, 2016, 5 pgs.
 M8 Monitor Arm Brochure, Humanscale, known at least as early as Dec. 21, 2016, 4 pgs.
 Office Depot & OfficeMax <URL:<http://www.officedepot.com/catalogue/search.do?Ntt=302938>'>/OEPABPABDWorkFir/oEPABPABDS%EP/oBP/013Display/OEP/O BF%BDStand.> Feb. 2, 2016. Ergotron WorkFit S Display Stand, 2 pgs.
 YouTube, <URL:<https://www.youtube.com/watch?v=kY3zIRz-ZKY>> Aug. 1, 2016, HumanScale Quick Stand, 2 pgs.

* cited by examiner

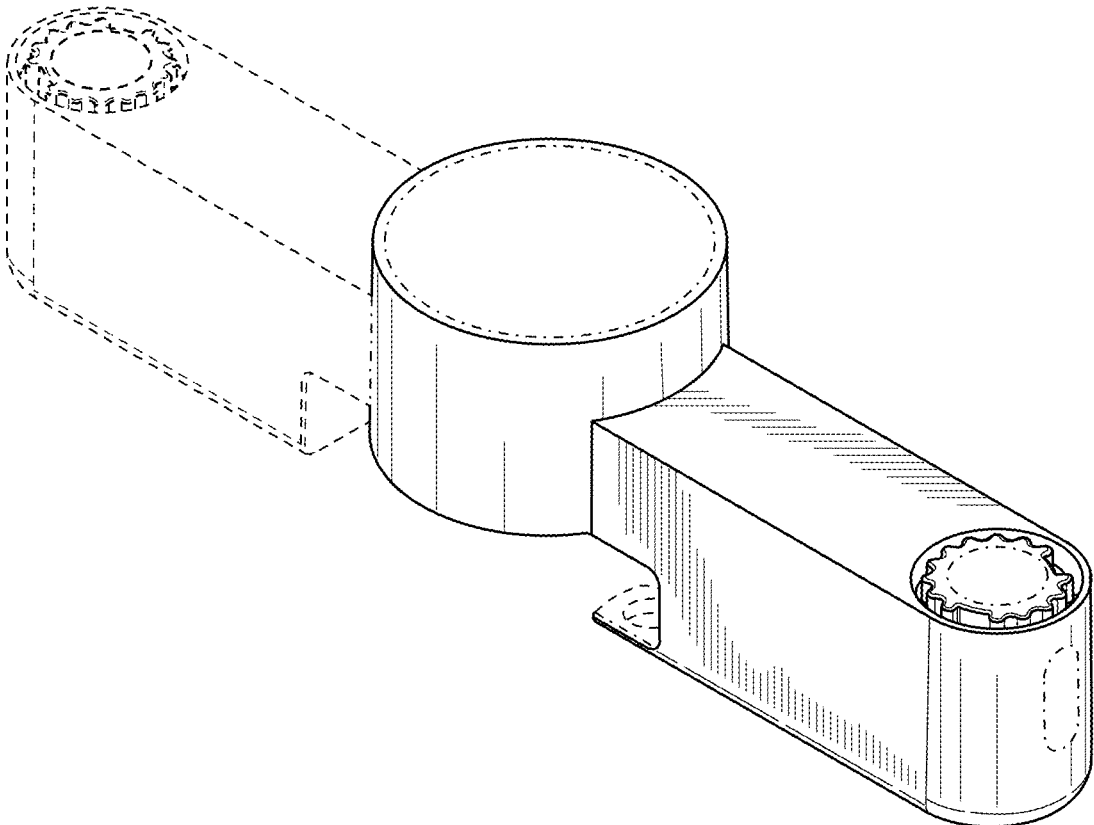


FIG. 1

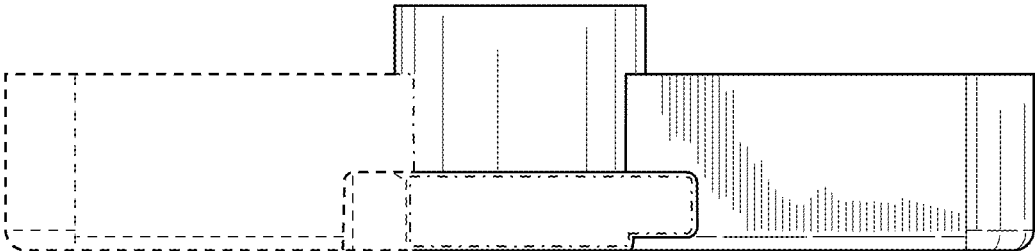


FIG. 2

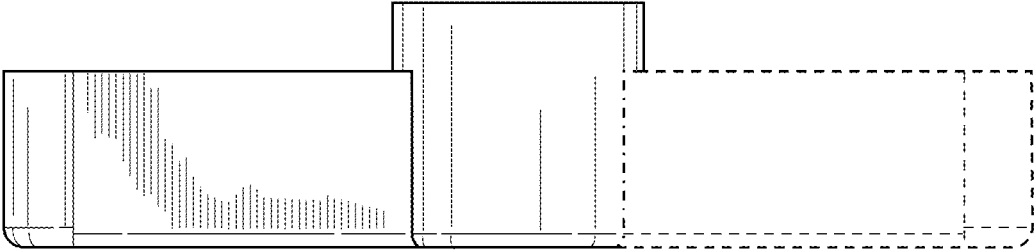


FIG. 3

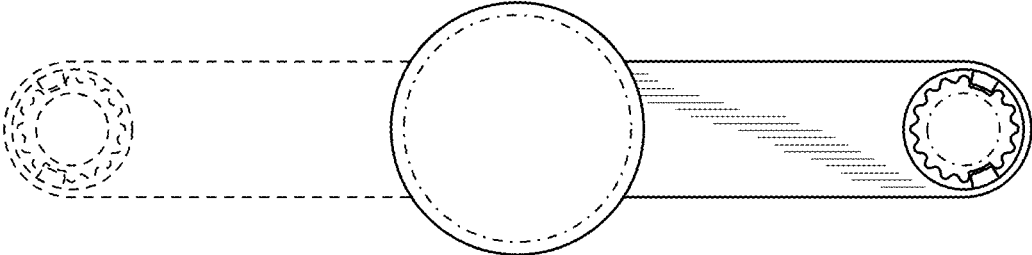


FIG. 4

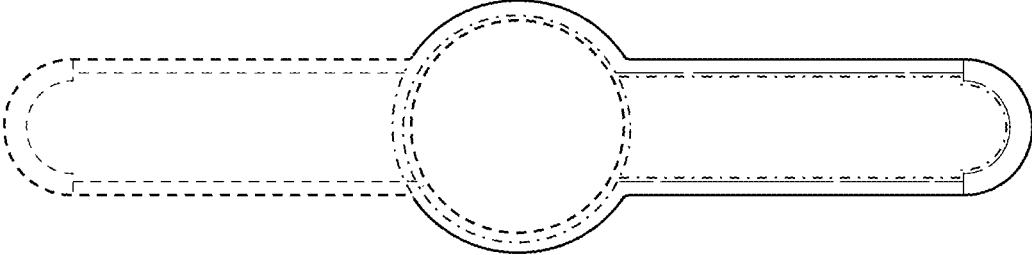


FIG. 5

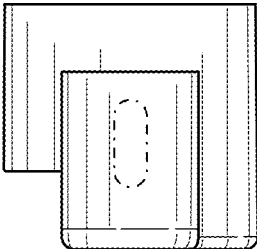


FIG. 6

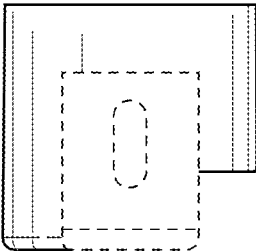


FIG. 7