



US00D818881S

(12) **United States Design Patent** (10) **Patent No.:** **US D818,881 S**
Bischoff et al. (45) **Date of Patent:** **** May 29, 2018**

(54) **MOTOR VEHICLE**
(71) Applicant: **VOLKSWAGEN AKTIENGESELLSCHAFT,**
Wolfsburg (DE)
(72) Inventors: **Klaus Bischoff,** Wolfsburg (DE);
Tobias Sühmann, Wolfsburg (DE);
Arnaldo Cruzeiro Silva Junior,
Wolfsburg (DE)
(73) Assignee: **VOLKSWAGEN AKTIENGESELLSCHAFT,**
Wolfsburg (DE)
(**) Term: **15 Years**

D647,823 S *	11/2011	Okumoto	D12/92
D671,035 S *	11/2012	Bischoff	D12/91
D674,319 S *	1/2013	Doyle	D12/92
D684,900 S *	6/2013	Doyle	D12/92
D690,231 S *	9/2013	Bischoff	D12/91
D700,870 S *	3/2014	Jevremovic	D12/92
D701,145 S *	3/2014	Bischoff	D12/91
D706,171 S *	6/2014	Bischoff	D12/91
D712,313 S *	9/2014	Bischoff	D12/91
D712,788 S *	9/2014	Bischoff	D12/91
D712,789 S *	9/2014	Bischoff	D12/91
D714,686 S *	10/2014	Bischoff	D12/91
D719,064 S *	12/2014	Bischoff	D12/91
D733,003 S *	6/2015	Bischoff	D12/91
D761,694 S *	7/2016	Bischoff	D12/91
D791,020 S *	7/2017	Bischoff	D12/91
D798,193 S *	9/2017	Potter	D12/91
D801,863 S *	11/2017	Bischoff	D12/91
D801,866 S *	11/2017	Bischoff	D12/91
D801,868 S *	11/2017	Bischoff	D12/91

(Continued)

(21) Appl. No.: **29/601,970**

(22) Filed: **Apr. 27, 2017**

(30) **Foreign Application Priority Data**

Oct. 27, 2016 (DE) 40 2016 101 333

(51) **LOC (11) Cl.** **12-08**

(52) **U.S. Cl.**
USPC **D12/91**

(58) **Field of Classification Search**
USPC D12/86, 90-92, 88; D21/421, 433, 434;
296/181.1, 181.5
CPC B62D 35/00; B62D 25/00; B62D 25/06;
B62D 33/00
See application file for complete search history.

(56) **References Cited**

U.S. PATENT DOCUMENTS

D620,394 S *	7/2010	Bischoff	D12/91
D620,840 S *	8/2010	Bischoff	D12/91
D626,885 S *	11/2010	Bischoff	D12/91
D647,821 S *	11/2011	Bischoff	D12/91

Primary Examiner — Melody N Brown
(74) *Attorney, Agent, or Firm* — Lucas & Mercanti, LLP;
Klaus P. Stoffel

(57) **CLAIM**

The ornamental design for a motor vehicle, as shown and described.

DESCRIPTION

FIG. 1 is a front and right side perspective view of a motor vehicle showing our new design;
FIG. 2 is a front and left side perspective view thereof;
FIG. 3 is a rear and right side perspective view thereof;
FIG. 4 is a rear and left side perspective view thereof;
FIG. 5 is a front view thereof;
FIG. 6 is a rear view thereof;
FIG. 7 is a right side view thereof;
FIG. 8 is a left side view thereof; and,
FIG. 9 is a top view thereof.
The wheels do not form part of the claimed design.

1 Claim, 8 Drawing Sheets



(56)

References Cited

U.S. PATENT DOCUMENTS

D801,869	S	*	11/2017	Bischoff	D12/91
D801,870	S	*	11/2017	Bischoff	D12/91
D802,481	S	*	11/2017	Zhang	D12/91
D804,360	S	*	12/2017	Bischoff	D12/91
D805,434	S	*	12/2017	Bischoff	D12/91
D814,355	S	*	4/2018	Bischoff	D12/91

* cited by examiner

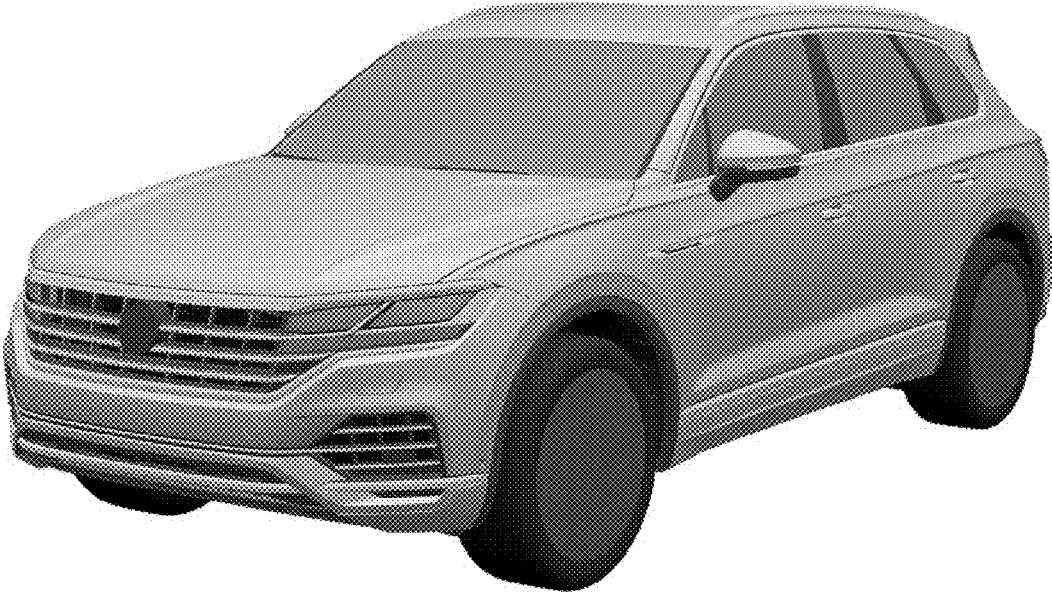


Fig. 1

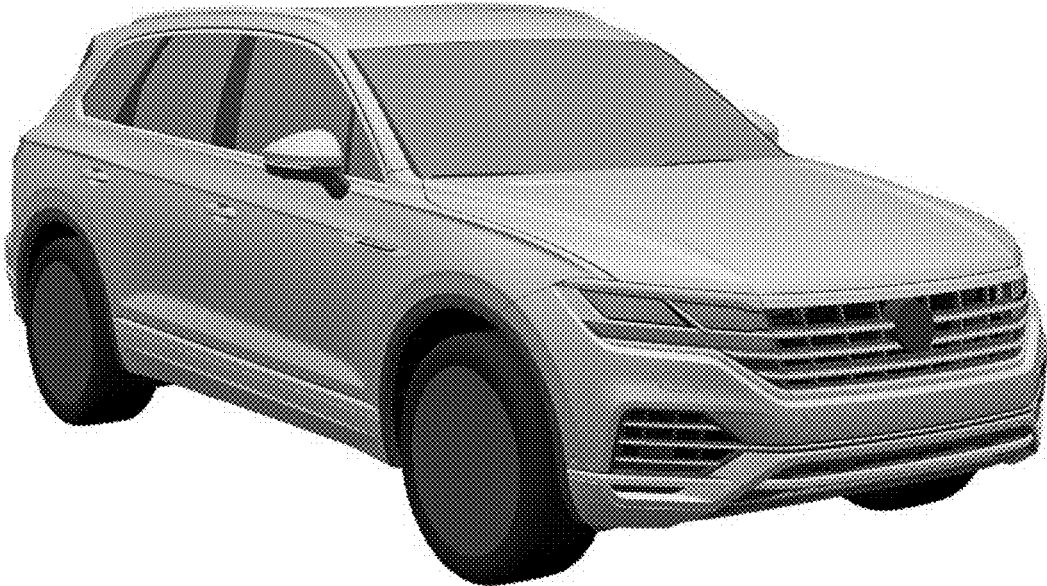


Fig. 2



Fig. 3



Fig. 4



Fig. 5



Fig. 6

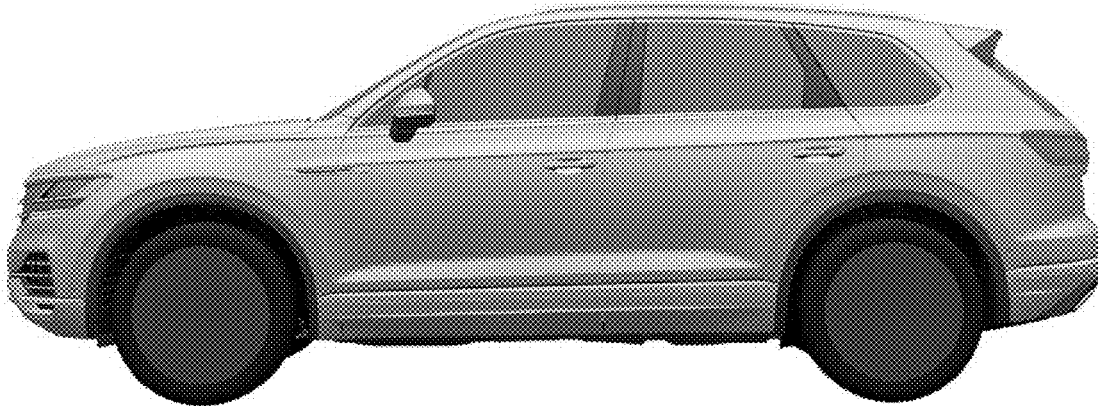


Fig. 7

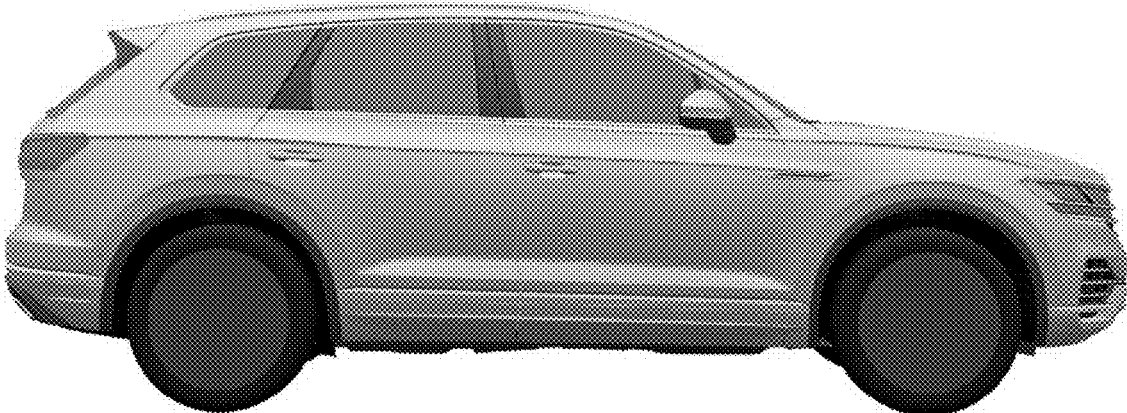


Fig. 8

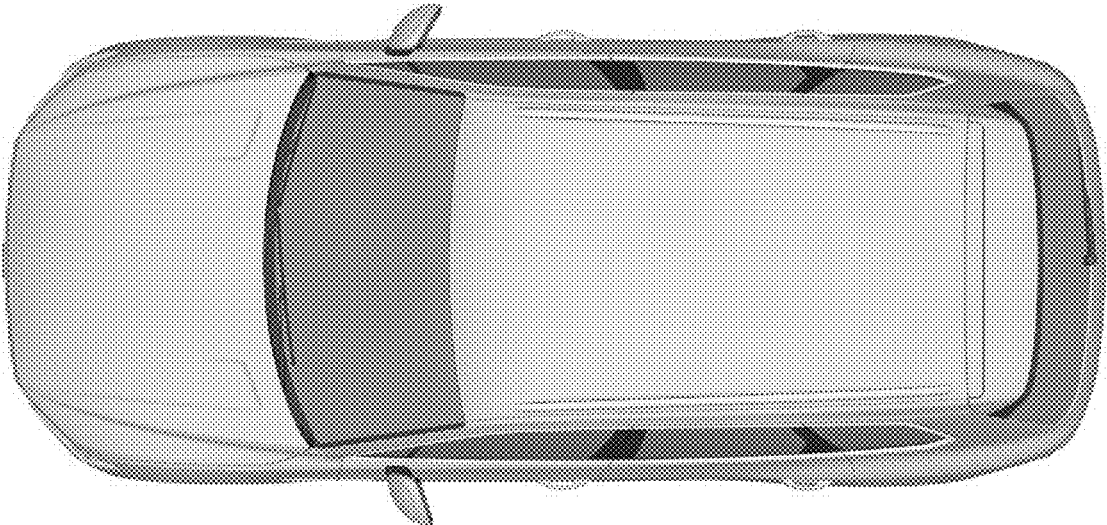


Fig. 9