



US00D924841S

(12) **United States Design Patent**
Yuan

(10) **Patent No.:** **US D924,841 S**

(45) **Date of Patent:** **** Jul. 13, 2021**

- (54) **THREE-LAYER TILTED HEAD EARPLUGS**
- (71) Applicant: **SHENZHEN YUNDE TECHNOLOGY CO., LTD.**, Shenzhen (CN)
- (72) Inventor: **Jinniu Yuan**, Shenzhen (CN)
- (73) Assignee: **SHENZHEN YUNDE TECHNOLOGY CO., LTD.**, Shenzhen (CN)

5,481,251 A * 1/1996 Buys H03J 1/0025
340/12.22

5,726,388 A * 3/1998 Ferland H01R 13/5833
174/135

D409,743 S * 5/1999 Falco D24/106

D427,304 S * 6/2000 Magidson D24/106

6,440,339 B1 * 8/2002 Magidson A61F 11/08
264/157

6,767,255 B1 * 7/2004 Crowell H01R 25/003
439/106

D524,297 S * 7/2006 Lee D14/218

(Continued)

(**) Term: **15 Years**

FOREIGN PATENT DOCUMENTS

(21) Appl. No.: **29/766,634**

EM 007307301-0002 * 11/2019

(22) Filed: **Jan. 17, 2021**

Primary Examiner — Paula Allen Greene

(51) **LOC (13) Cl.** **14-01**

(74) *Attorney, Agent, or Firm* — Law Offices of Steven W. Weinrieb

(52) **U.S. Cl.**

(57) **CLAIM**

USPC **D14/205**

The ornamental design for a three-layer tilted head earplugs, as shown and described.

(58) **Field of Classification Search**

DESCRIPTION

USPC D14/205, 223, 217, 218; D24/106, 174; D13/153, 154, 168; 181/135; 381/380, 381/381; 455/90.3, 575.1, 569.1

CPC H04R 25/00; H04R 1/10; H04R 1/1058; H04R 1/1033; H04R 1/1083; H04R 5/033; H04R 5/0335; H04R 1/1066; H04R 1/1016

FIG. 1 is a front, right side, top perspective view of a three-layer tilted head earplugs showing my new design; FIG. 2 is a front elevational view thereof; FIG. 3 is a rear elevational view thereof; FIG. 4 is a left side elevational view thereof; FIG. 5 is a right side elevational view thereof; FIG. 6 is a top plan view thereof; FIG. 7 is a bottom plan view thereof; and, FIG. 8 is an enlarged, detailed view of the region denoted by the reference number 8 in FIG. 1.

See application file for complete search history.

The broken lines depict portions of the three-layer tilted head earplugs that form no part of the claimed design. The cord is shown with a symbolic break in its length. The appearance of any portion of the article between the break lines forms no part of the claimed design.

(56) **References Cited**

U.S. PATENT DOCUMENTS

D245,202 S * 7/1977 Asker D24/106

4,219,018 A * 8/1980 Draper, Jr. A61F 11/08
128/864

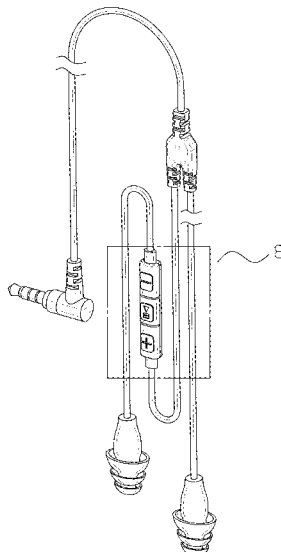
4,867,149 A * 9/1989 Falco A61F 11/08
128/864

4,936,411 A * 6/1990 Leonard A61F 11/08
128/864

D347,208 S * 5/1994 Martin D13/133

D356,293 S * 3/1995 Riley D13/133

1 Claim, 8 Drawing Sheets



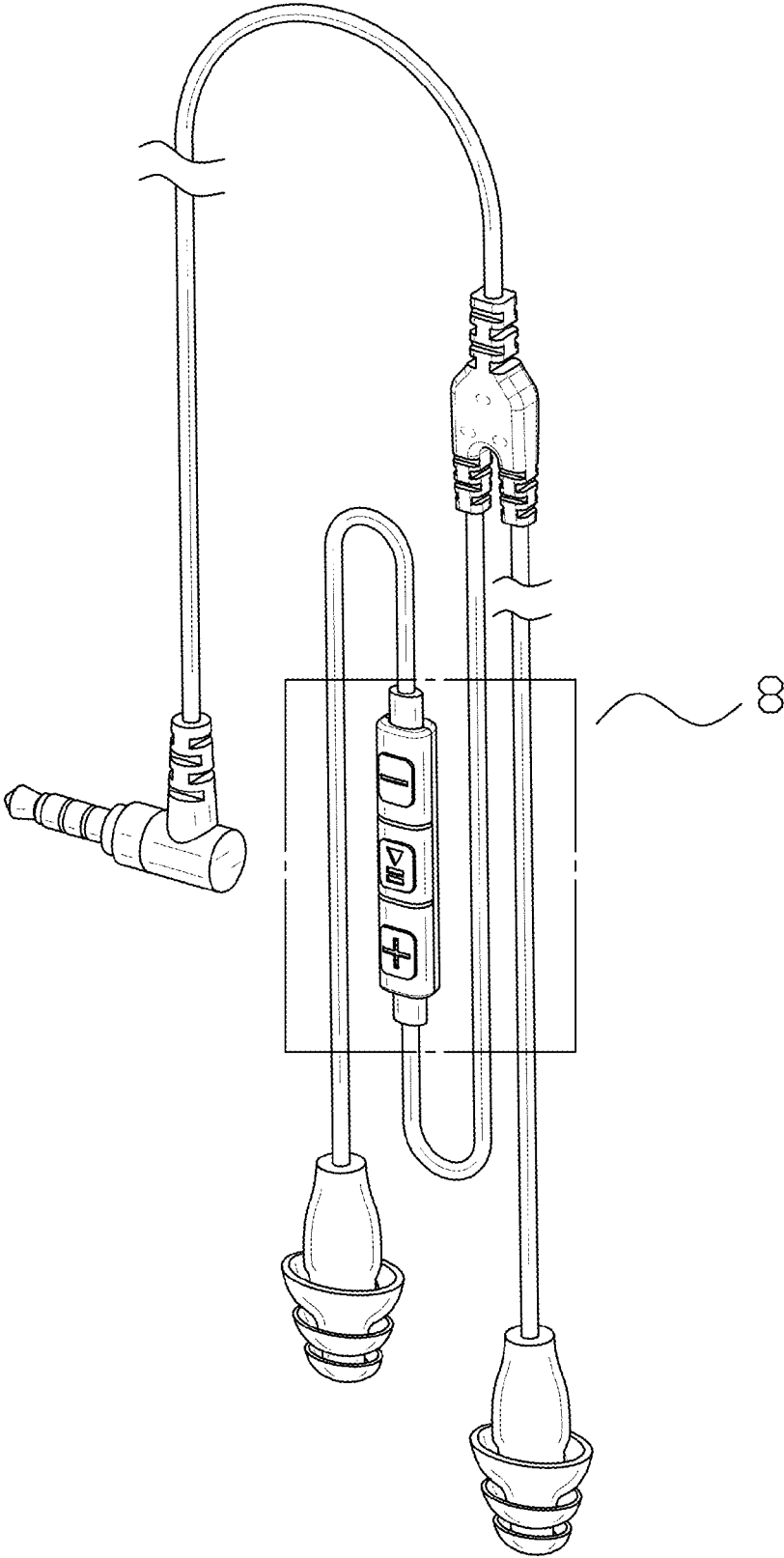


FIG.1

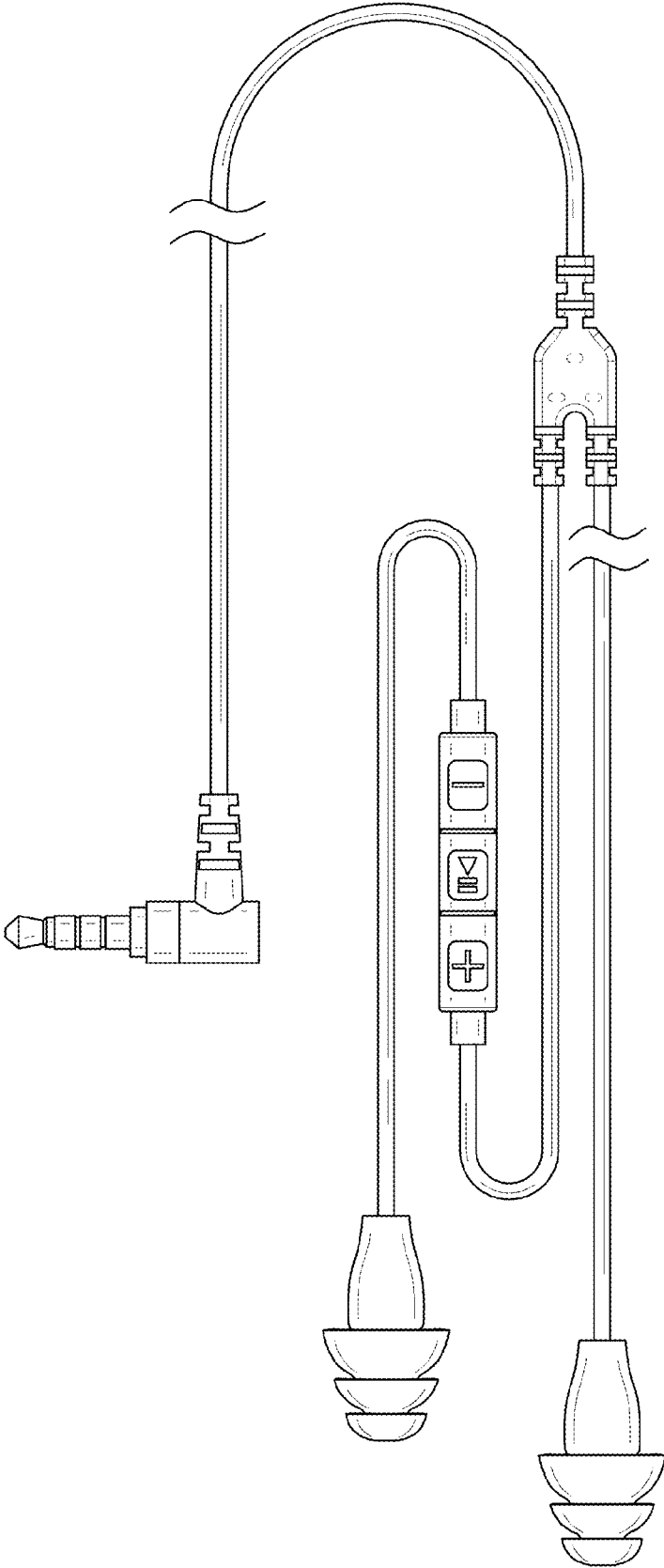


FIG.2

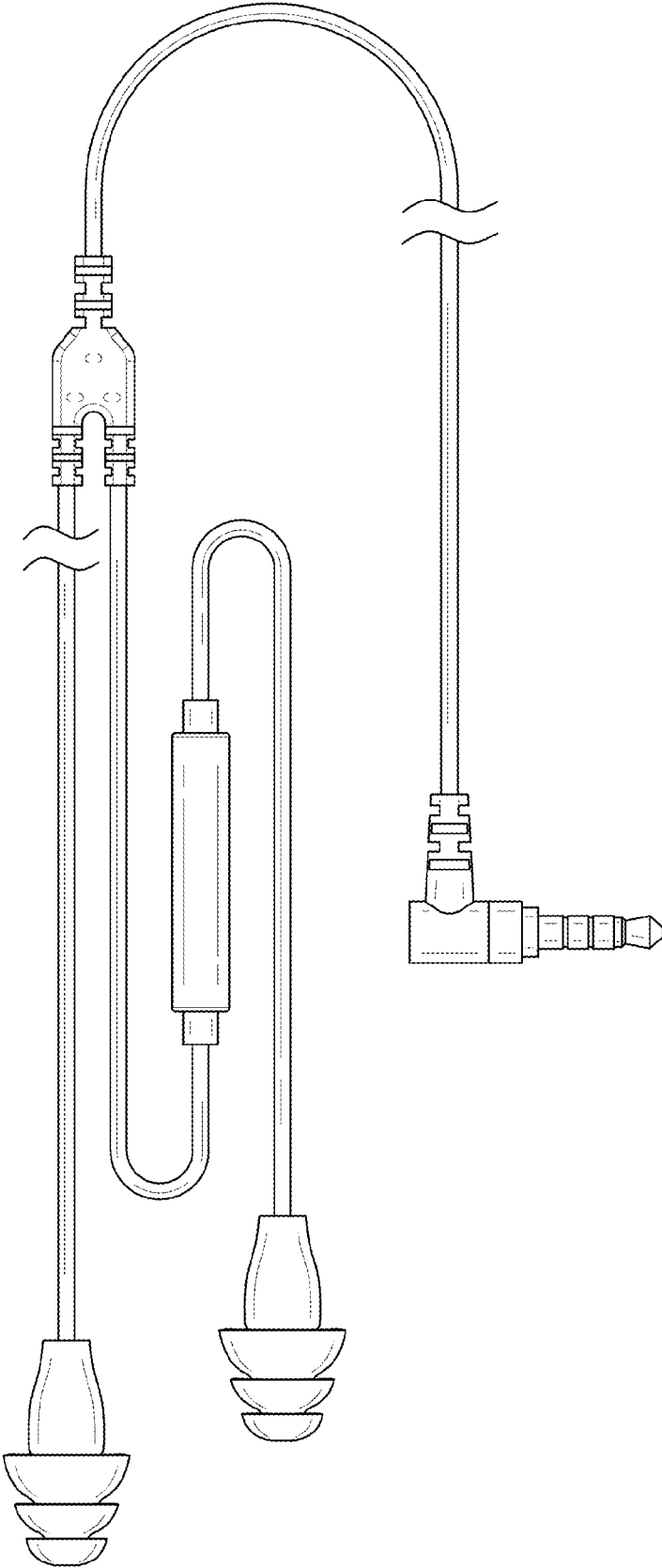


FIG.3

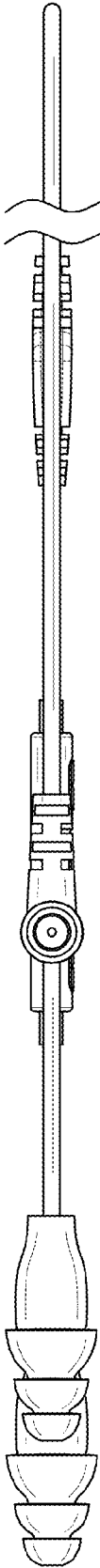


FIG.4

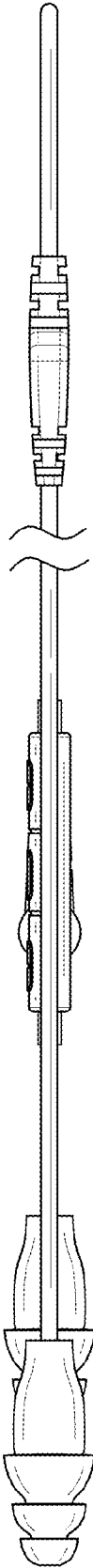


FIG.5

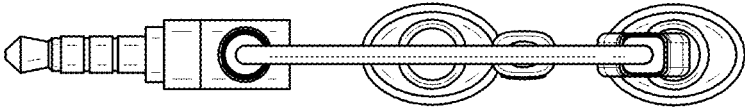


FIG.6

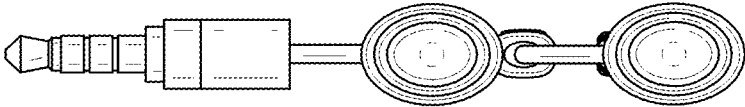


FIG.7

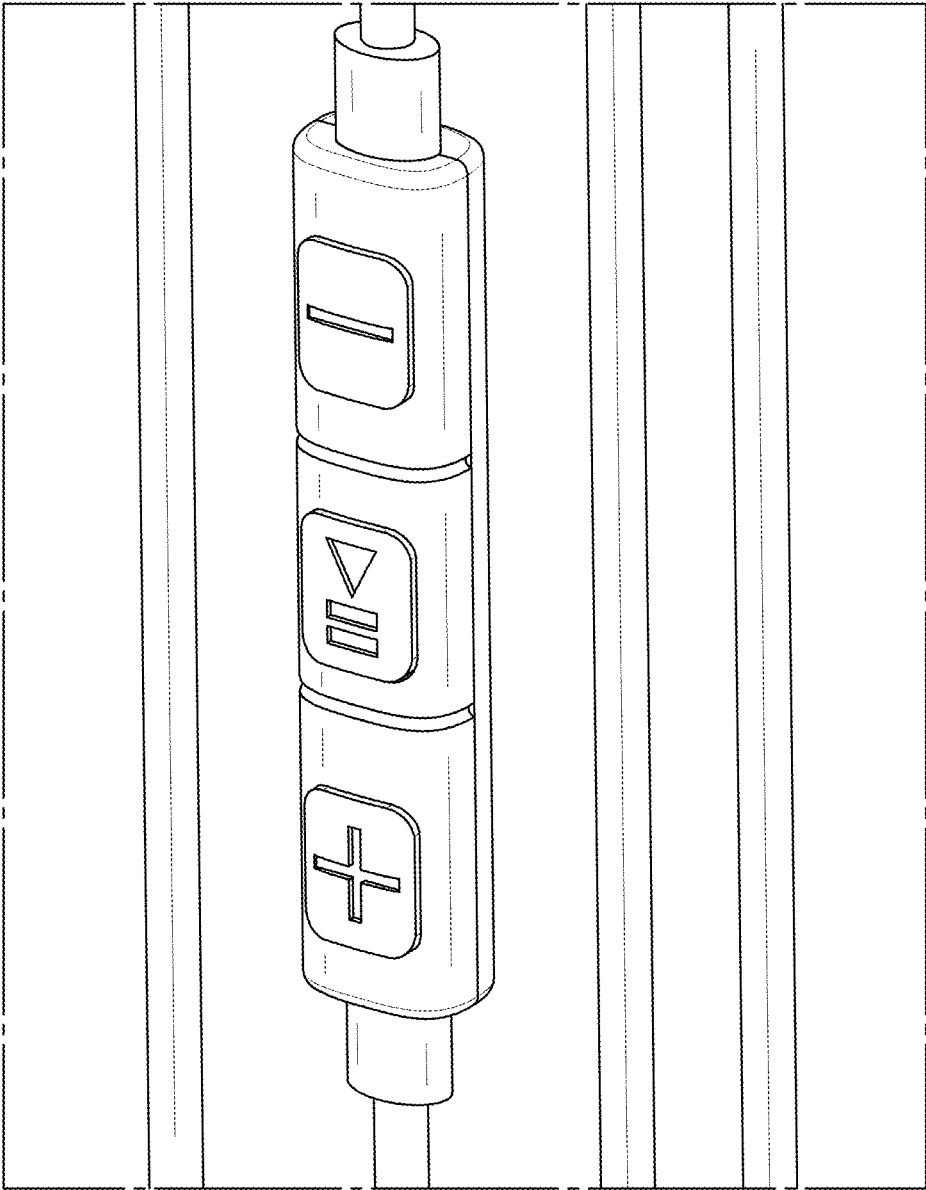


FIG.8