



US00D819738S

(12) **United States Design Patent**
Kevin

(10) **Patent No.:** **US D819,738 S**

(45) **Date of Patent:** **** Jun. 5, 2018**

- (54) **PEN**
- (71) Applicant: **GRAY TECH INTERNATIONAL PRIVATE LIMITED**, Singapore (SG)
- (72) Inventor: **Ng Tze Yang Kevin**, Singapore (SG)
- (**) Term: **15 Years**
- (21) Appl. No.: **35/502,826**
- (22) Filed: **Oct. 20, 2016**
- (80) **Hague Agreement Data**
 Int. Filing Date: **Oct. 20, 2016**
 Int. Reg. No.: **DM/094666**
 Int. Reg. Date: **Oct. 20, 2016**
 Int. Reg. Pub. Date: **Apr. 21, 2017**

D431,324 S *	9/2000	Hirato	D28/7
D457,916 S *	5/2002	Reichmann	D19/163
D468,059 S *	12/2002	Fuller	D28/77
6,648,536 B1 *	11/2003	Bellue	B43K 19/02 16/430
D493,911 S *	8/2004	Somma	D27/101
D557,572 S *	12/2007	Kirsch	D7/651
D585,490 S *	1/2009	Puglisi	D19/121
D596,231 S *	7/2009	Hung	D19/121
D605,694 S *	12/2009	Zhang	D19/117
D611,536 S *	3/2010	Bridge	D19/170
D639,337 S *	6/2011	Hung	D19/117
D662,978 S *	7/2012	Xie	D19/163
D662,979 S *	7/2012	Xie	D19/163
D667,876 S *	9/2012	Xie	D19/163
D667,878 S *	9/2012	Xie	D19/163
D679,321 S *	4/2013	Walton	D19/119
D692,889 S *	11/2013	So	D14/411

(Continued)

- (51) **LOC (11) Cl.** **19-06**
- (52) **U.S. Cl.**
USPC **D19/163**
- (58) **Field of Classification Search**
USPC D19/115-123, 161-179; D14/411;
D27/101; D7/635, 636, 637, 642;
D28/76, 85
CPC B43K 7/005; B43K 7/00; B43K 8/003;
B43K 5/005; B43K 21/006
See application file for complete search history.

OTHER PUBLICATIONS

Shard Pen, Gray International; Facebook page. Facebook photo posted Sep. 16, 2016. Found at [https://www.facebook.com/grayinternational/photos/a.927953790611896.1073741828.916981725042436/1198150433592229/?... *](https://www.facebook.com/grayinternational/photos/a.927953790611896.1073741828.916981725042436/1198150433592229/?...)

Primary Examiner — Eric L Goodman
Assistant Examiner — Jennifer L Rempfer

(57) **CLAIM**

The ornamental design for a pen, as shown and described.

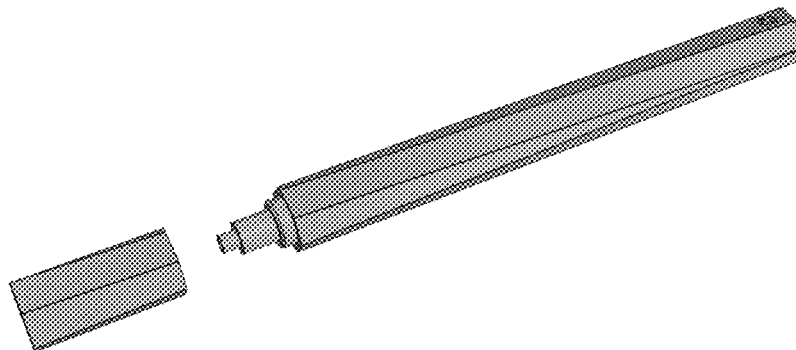
- (56) **References Cited**
U.S. PATENT DOCUMENTS

D79,456 S *	9/1929	Coby	D19/168
D94,375 S *	1/1935	Back	D19/163
D161,826 S *	2/1951	Ferber	D19/185
D166,161 S *	3/1952	Hanle	D19/163
D223,688 S *	5/1972	Schnur et al.	D19/167
D261,901 S *	11/1981	Coffman	D19/186
D322,811 S *	12/1991	Isern	401/199
D323,350 S *	1/1992	Johansson	D19/178
D397,147 S *	8/1998	Mackenzie	D19/123
D405,219 S *	2/1999	Dal Monte	D27/101
D416,286 S *	11/1999	Paras	D19/179

DESCRIPTION

- 1. Pen
- 1.1** : Perspective
- 1.2** : Perspective view with cap detached
- 1.3** : Perspective
- 1.4** : Front
- 1.5** : Top
- 1.6** : Back
- 1.7** : Right

1 Claim, 7 Drawing Sheets



(56)

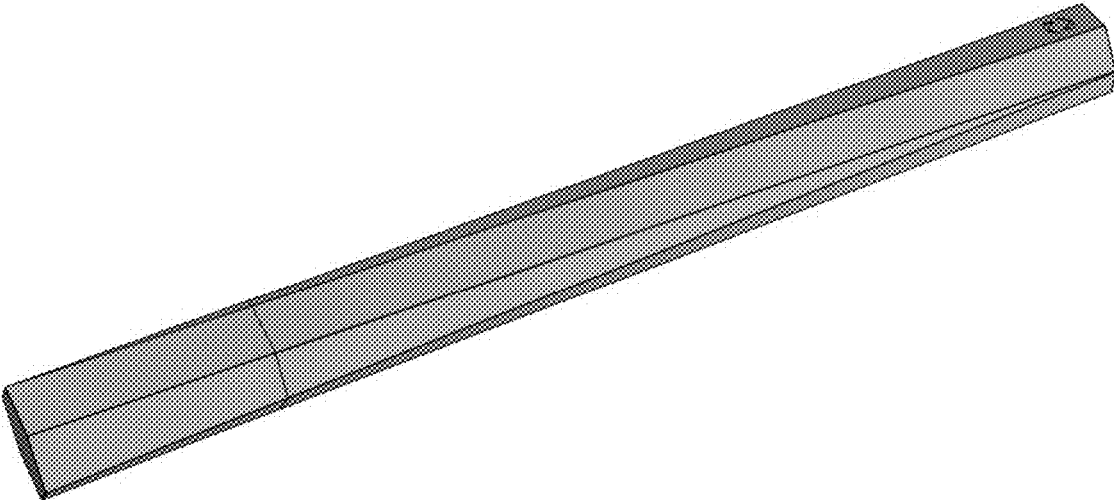
References Cited

U.S. PATENT DOCUMENTS

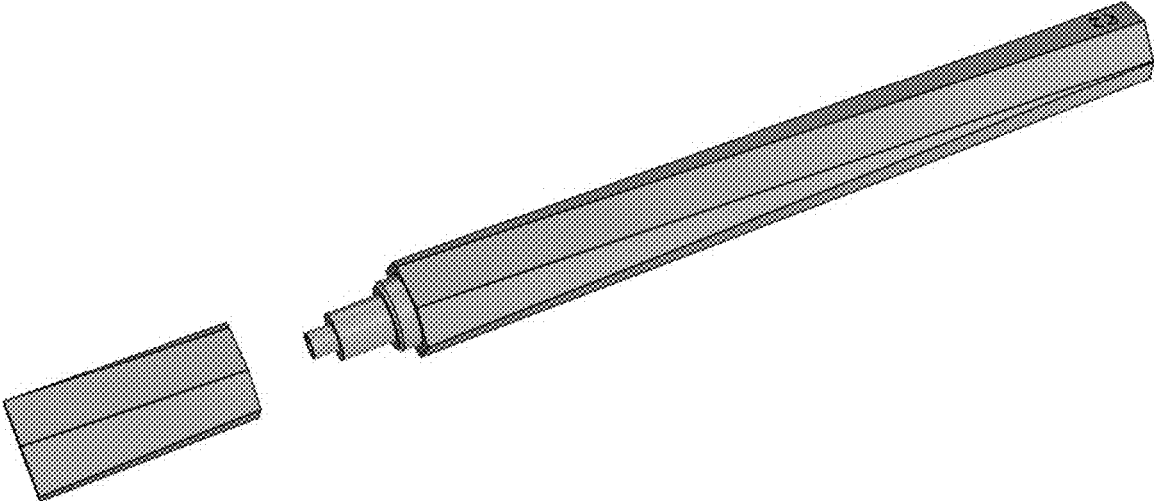
D719,163	S	*	12/2014	Dowd	D14/411
D757,994	S	*	5/2016	Moradian	D27/101
D770,453	S	*	11/2016	Sumsion	D14/411
D805,911	S	*	12/2017	Borer	D9/561

* cited by examiner

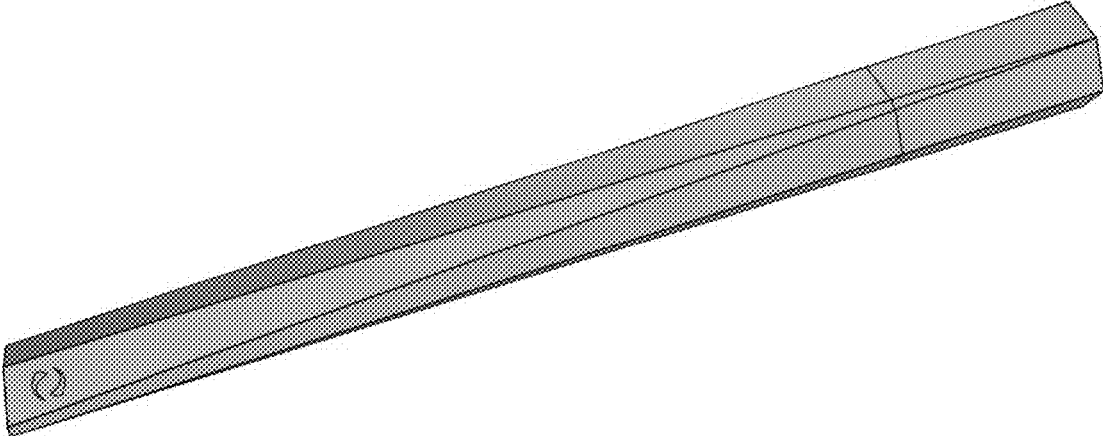
1.1



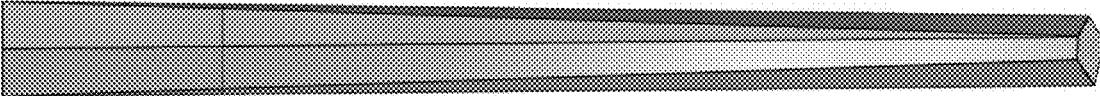
1.2



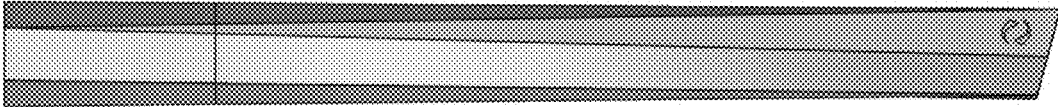
1.3



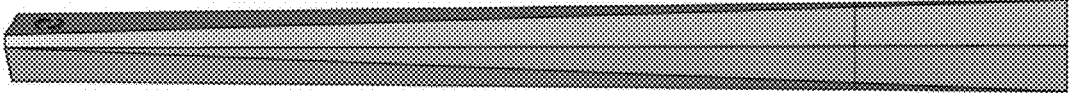
1.4



1.5



1.6



1.7

