



US00D778718S

(12) **United States Design Patent**  
**Smith et al.**

(10) **Patent No.:** **US D778,718 S**

(45) **Date of Patent:** **\*\* Feb. 14, 2017**

(54) **CONTAINER**

D749,381 S \* 2/2016 Magri ..... D24/230

(71) Applicants: **William Thomas Smith**, Fair Oaks, CA  
(US); **Cheryl Ann Smith**, Fair Oaks,  
CA (US)

\* cited by examiner

*Primary Examiner* — Cynthia Underwood

(72) Inventors: **William Thomas Smith**, Fair Oaks, CA  
(US); **Cheryl Ann Smith**, Fair Oaks,  
CA (US)

(57) **CLAIM**

(\*\*) Term: **15 Years**

The ornamental design for a container, as shown and described.

(21) Appl. No.: **29/540,743**

(22) Filed: **Sep. 28, 2015**

**DESCRIPTION**

(51) **LOC (10) Cl.** ..... **09-03**

(52) **U.S. Cl.**  
USPC ..... **D9/431**

(58) **Field of Classification Search**  
USPC ..... D9/430, 414, 432, 524, 516, 433, 431;  
D7/543, 545, 602, 552.2, 538; 229/112  
CPC ..... B65D 1/00; B65D 5/4291; B65D 5/38;  
A47F 5/11  
See application file for complete search history.

FIG. 1 is a top perspective view of a container showing my new design.

FIG. 2 is a front elevation view thereof;

FIG. 3 is a side elevation view thereof;

FIG. 4 is a side elevation view thereof;

FIG. 5 is a rear elevation view thereof;

FIG. 6 is a top view thereof; and,

FIG. 7 is a bottom view thereof.

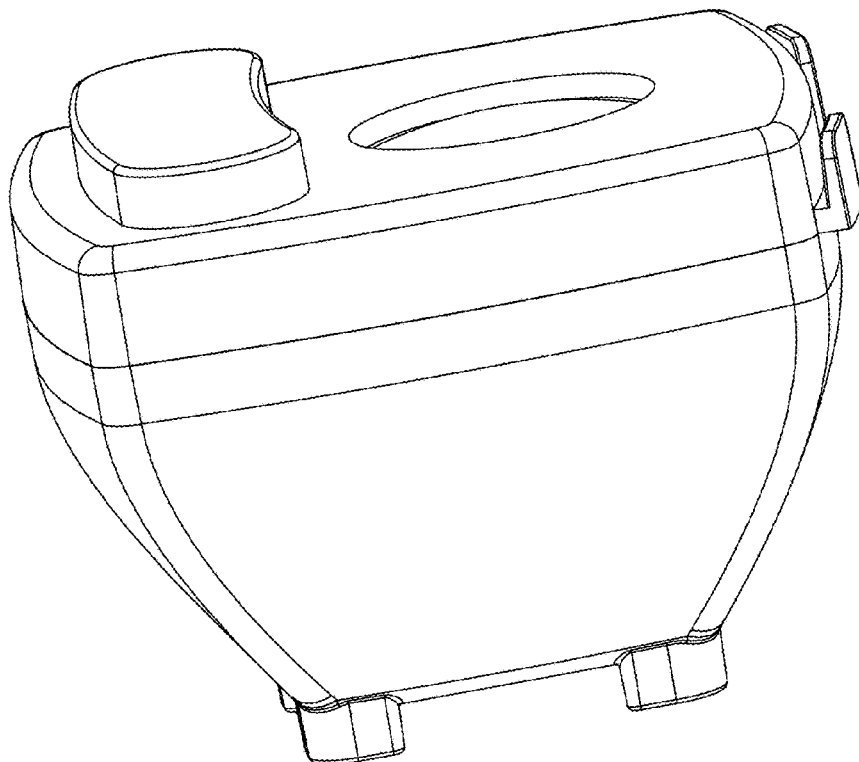
The broken lines of FIG. 7 illustrate portions of the container that form no part of the claimed design.

(56) **References Cited**

**U.S. PATENT DOCUMENTS**

D547,177 S \* 7/2007 Sherman ..... D9/425  
D685,227 S \* 7/2013 Boonprasop ..... D7/538

**1 Claim, 7 Drawing Sheets**



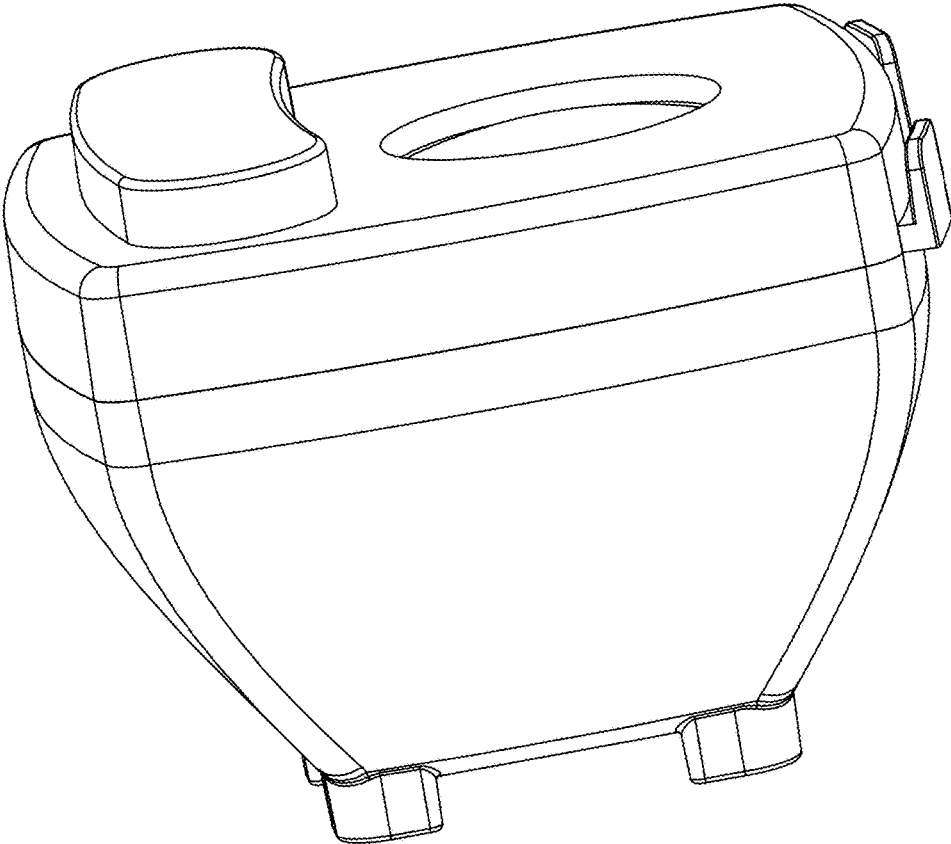


FIG. 1

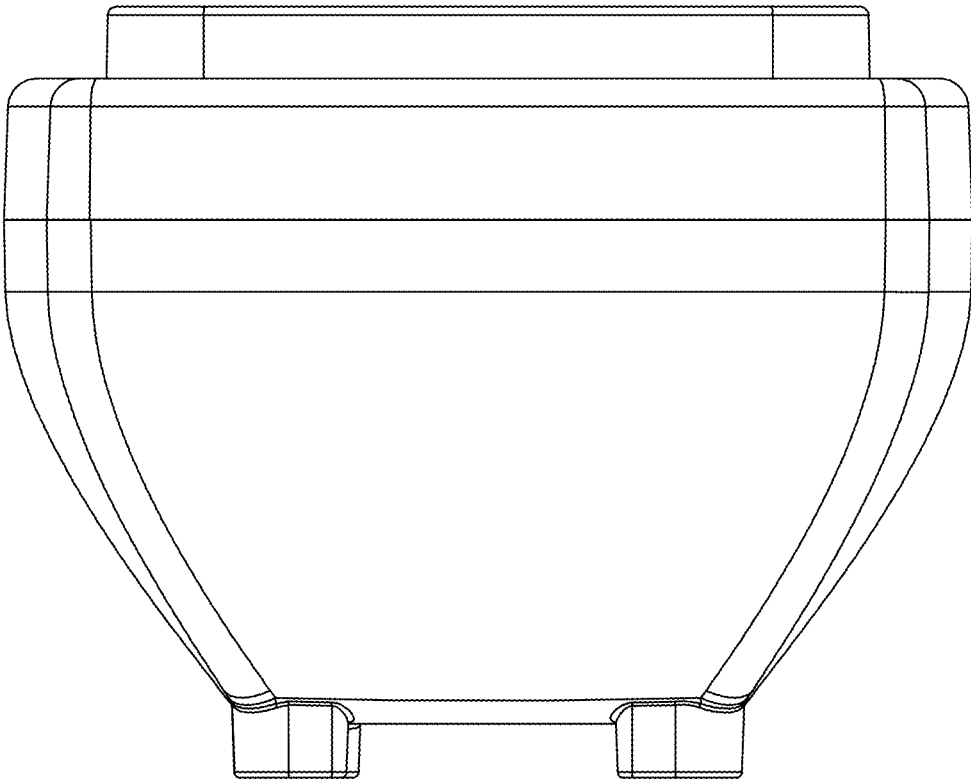


FIG. 2

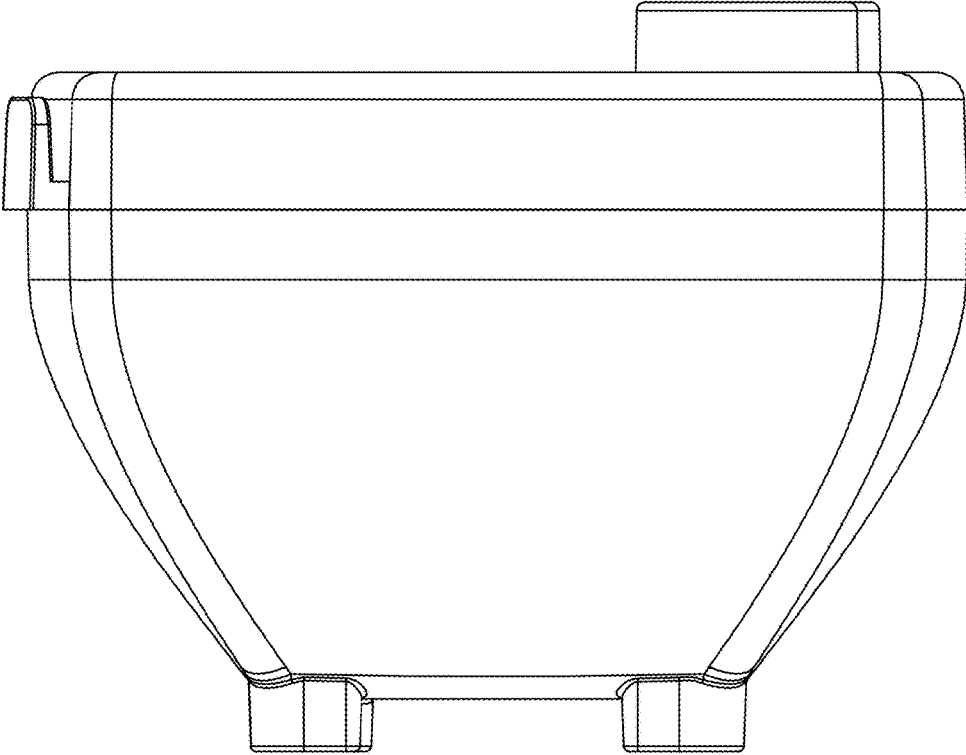


FIG. 3

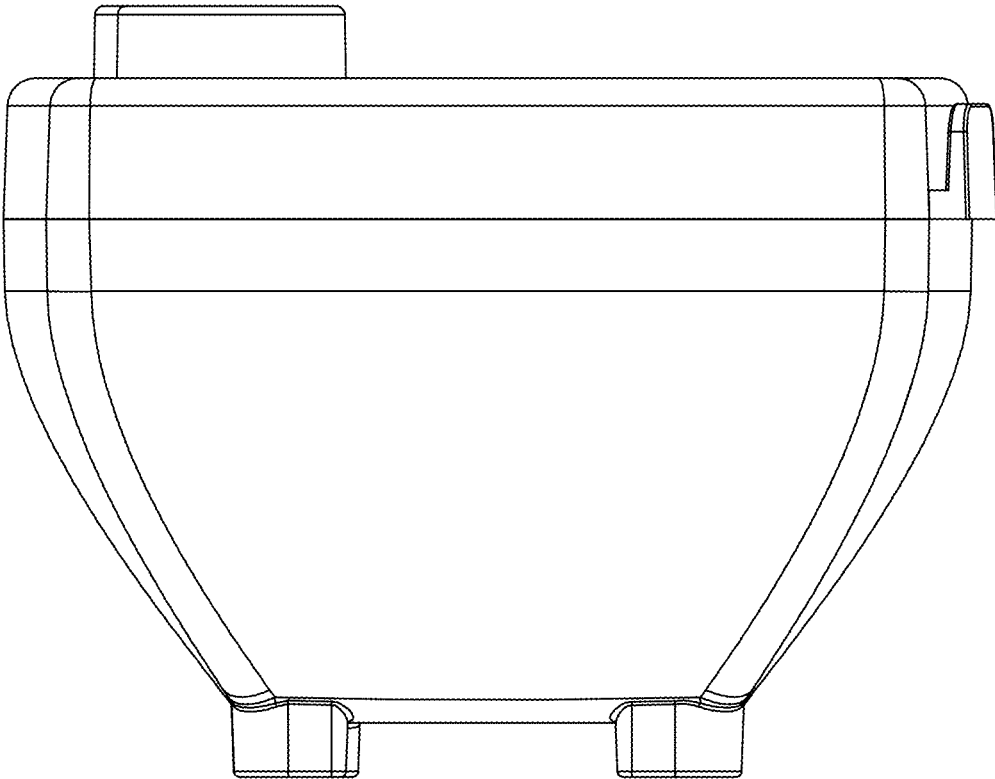


FIG. 4

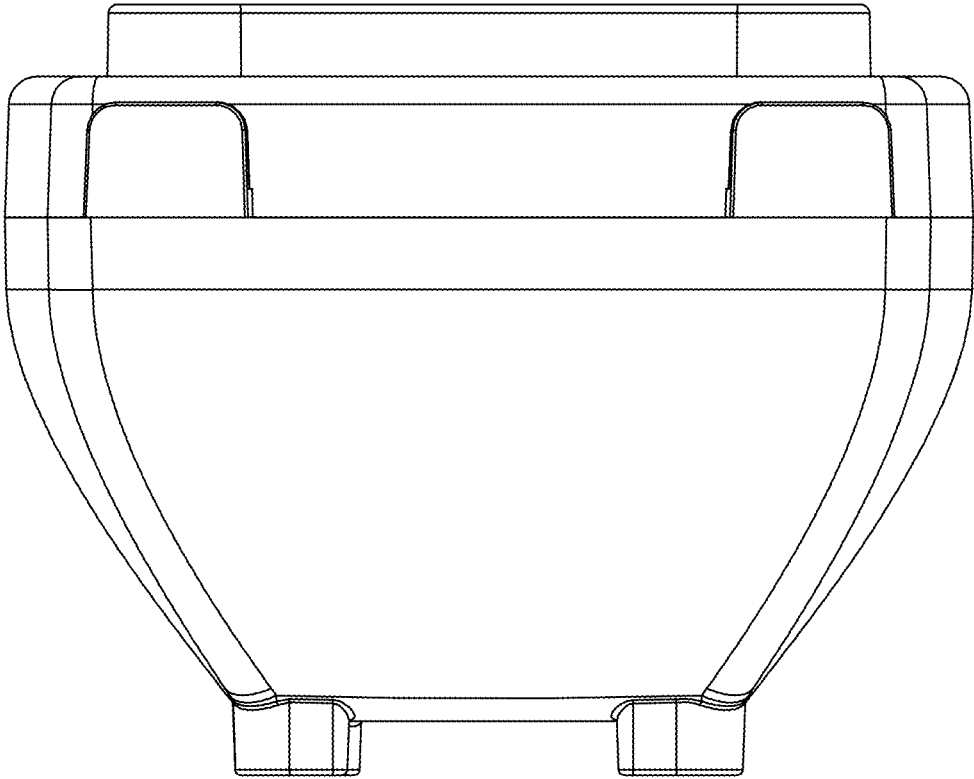


FIG. 5

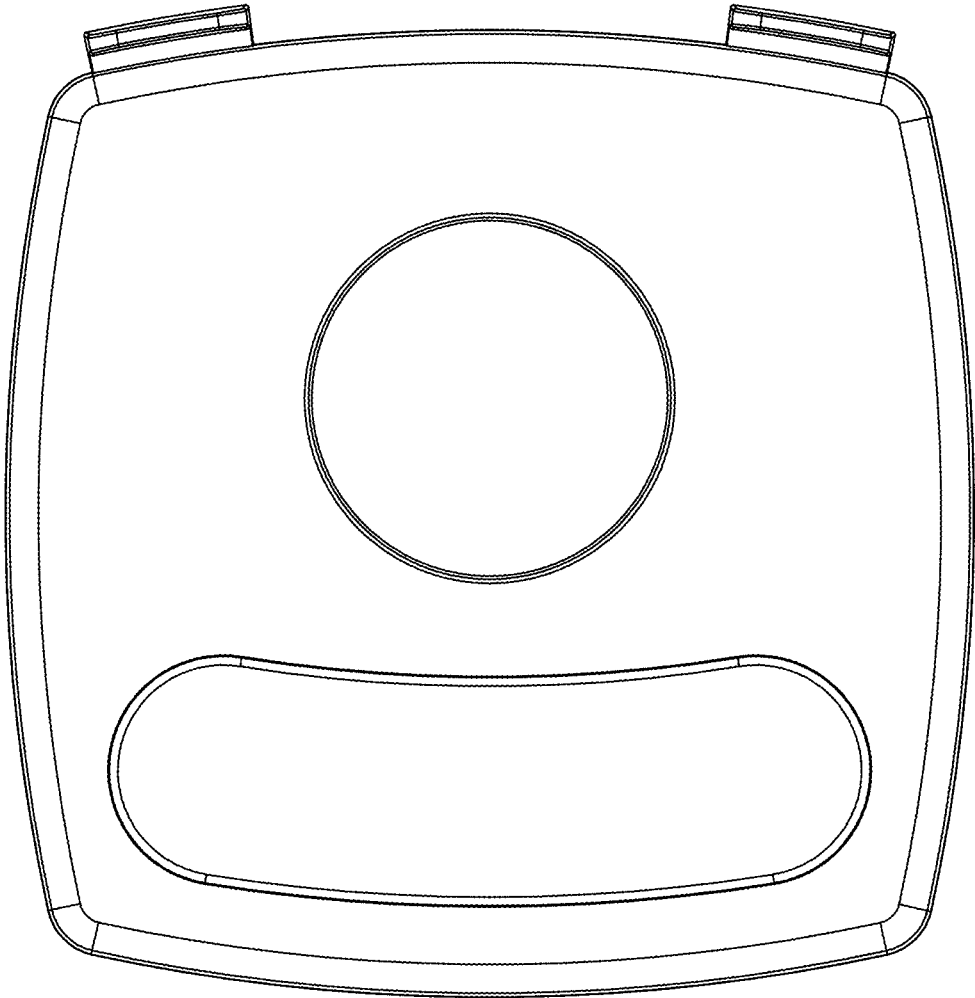


FIG. 6

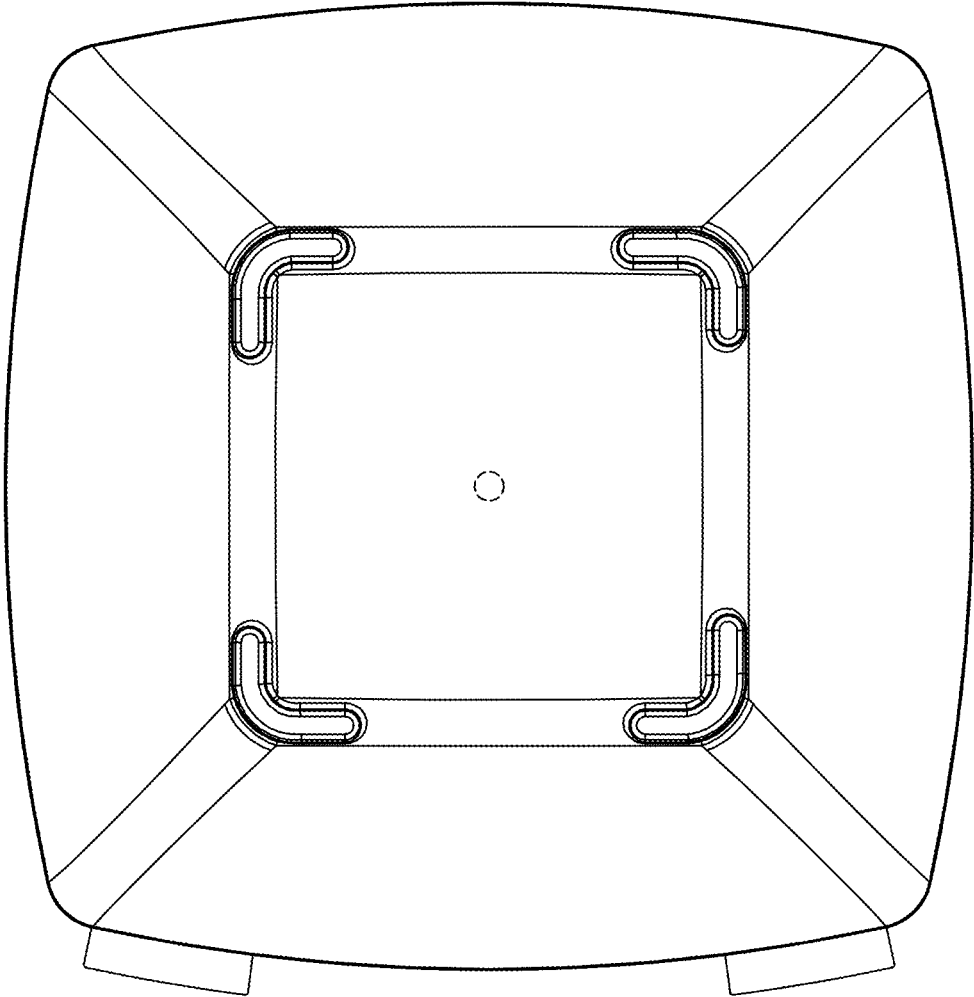


FIG. 7