



(12) **United States Design Patent**
Smith et al.

(10) **Patent No.:** **US D980,998 S**
(45) **Date of Patent:** **** Mar. 14, 2023**

- (54) **CURVED MESSAGE HEAD**
- (71) Applicants: **William Smith**, Vero Beach, FL (US);
Cameron Smith, Steamboat Springs,
CO (US); **Dominic Rainville**,
Sainte-Julie (CA)
- (72) Inventors: **William Smith**, Vero Beach, FL (US);
Cameron Smith, Steamboat Springs,
CO (US); **Dominic Rainville**,
Sainte-Julie (CA)

D632,013 S * 2/2011 Irwin D28/57
 D762,309 S * 7/2016 Cohen D24/211
 D823,479 S * 7/2018 Mollohan D24/215

(Continued)

FOREIGN PATENT DOCUMENTS

CN 304929590 * 12/2018
 CN 305769326 * 5/2020

(Continued)

OTHER PUBLICATIONS

“Mina Heal: Jade Stone Facial Gua Sha”. Found online at Amazon.
 co.uk. Aug. 15, 2022. Reference dated Apr. 16, 2017. Retrieved
 from <https://www.amazon.co.uk/dp/B073PGVPM7/>.*

(Continued)

- (**) Term: **15 Years**
- (21) Appl. No.: **29/772,180**
- (22) Filed: **Feb. 26, 2021**

Related U.S. Application Data

- (63) Continuation of application No. 17/180,654, filed on
Feb. 19, 2021.
- (51) **LOC (14) Cl.** **28-03**
- (52) **U.S. Cl.**
USPC **D24/215**
- (58) **Field of Classification Search**
USPC D24/200, 211, 212, 213, 214, 215;
D28/12, 13; D8/14.1, 16
CPC A61H 7/004; A61H 15/0092; A61H 15/00;
A61H 23/00; A61H 23/002; A61H 23/006
See application file for complete search history.

References Cited

U.S. PATENT DOCUMENTS

D299,169 S * 12/1988 Hall D24/215
 D326,327 S * 5/1992 Sue D24/214
 D326,722 S * 6/1992 Sue D24/214
 D442,696 S * 5/2001 Chen D24/211
 6,315,742 B1 11/2001 Howard
 6,390,997 B1 5/2002 Vitko

Primary Examiner — Kendra Leslie Hamilton
Assistant Examiner — Elizabeth S Struble
 (74) *Attorney, Agent, or Firm* — Tope-McKay &
 Associates

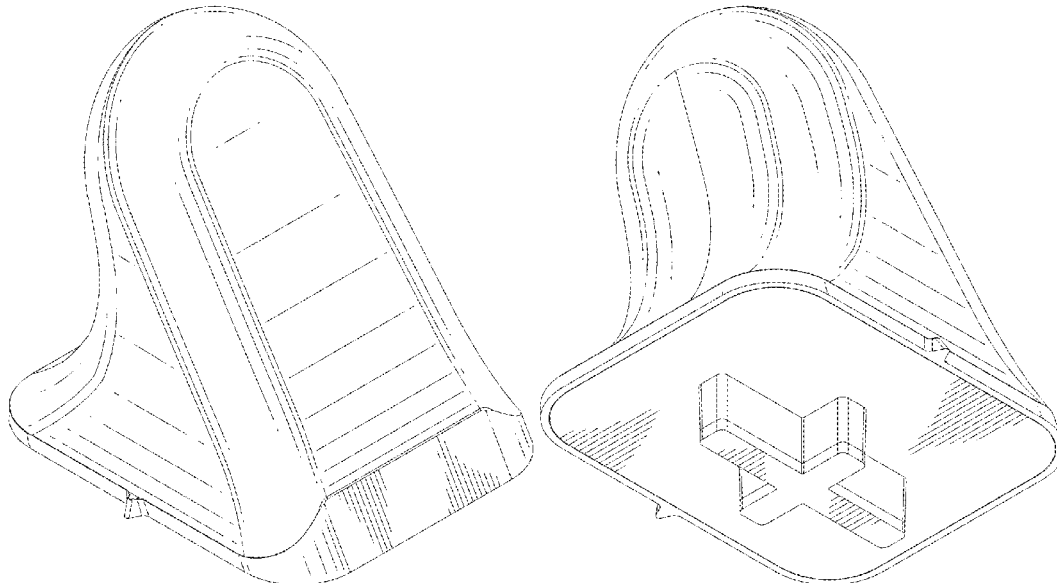
(57) **CLAIM**

The ornamental design for a curved massage head, as shown
and described.

DESCRIPTION

FIG. 1 is a top, perspective view of a curved massage head;
 FIG. 2 is a bottom, perspective view thereof;
 FIG. 3 is a right elevation view thereof;
 FIG. 4 is a left elevation view thereof;
 FIG. 5 is a front elevation view thereof;
 FIG. 6 is a back elevation view thereof;
 FIG. 7 is a top plan view thereof;
 FIG. 8 is a bottom plan view thereof; and,
 FIG. 9 is a top, perspective view shown in condition of use.
 In FIG. 9, the broken lines depict environmental structure
 only and form no part of the claimed design.

1 Claim, 9 Drawing Sheets



(56)

References Cited

U.S. PATENT DOCUMENTS

D879,989 S * 3/2020 Mollohan D24/215
D905,180 S 12/2020 Karvandi
D908,236 S * 1/2021 Mollohan D24/215
2006/0036202 A1 2/2006 Iwata et al.
2006/0247562 A1 11/2006 Emmel
2009/0012435 A1 1/2009 Masek
2010/0217165 A1* 8/2010 Muchisky A61H 23/0263
601/93
2018/0353371 A1* 12/2018 Shikahama A63B 23/03
2020/0297570 A1 9/2020 Lee
2020/0323733 A1 10/2020 Burns et al.

FOREIGN PATENT DOCUMENTS

CN 306186409 * 11/2020
CN 306446169 * 4/2021
CN 306590328 * 6/2021

OTHER PUBLICATIONS

“Oilixia: Rose Quartz Gua Sha”. Found online at Amazon.co.uk. Aug. 15, 2022. Reference dated Oct. 13, 2019. Retrieved from <https://www.amazon.co.uk/Oilixia-Skincare-Quartz-Massage-Results/dp/B07Z3TBBNC/>.*

“Pressure Positive: The Original Knobble”. Found online at Amazon.com. Jul. 28, 2022. Reference dated Jan. 8, 2004. Retrieved from <https://www.amazon.com/Original-Knobble-Ergonomic-Reflexology-Myofascial/dp/B00120ZMJG/>.*

“Pressure Positive: The Knobble II”. Found online at Amazon.com. Jul. 28, 2022. Reference dated Dec. 28, 2007. Retrieved from <https://www.amazon.com/Original-Reflexology-Myofascial-Pressure-Positive/dp/B0012136E8/>.*

* cited by examiner

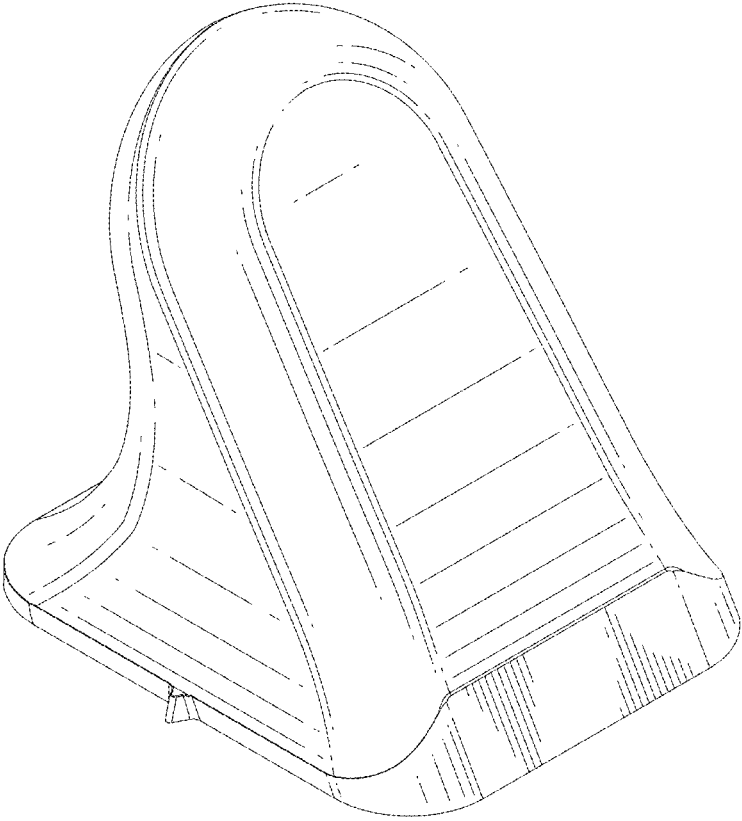


FIG. 1

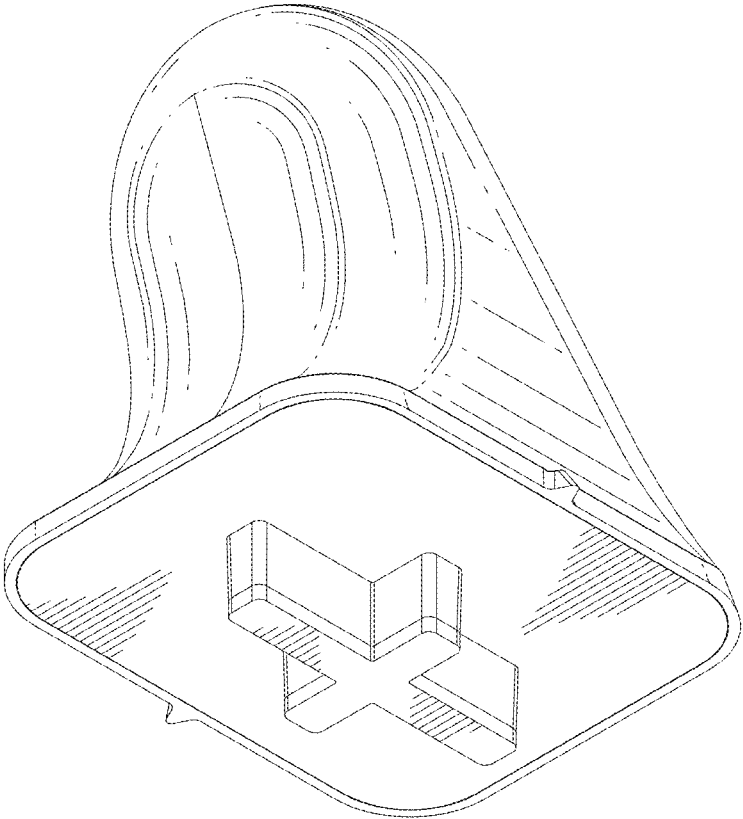


FIG.2

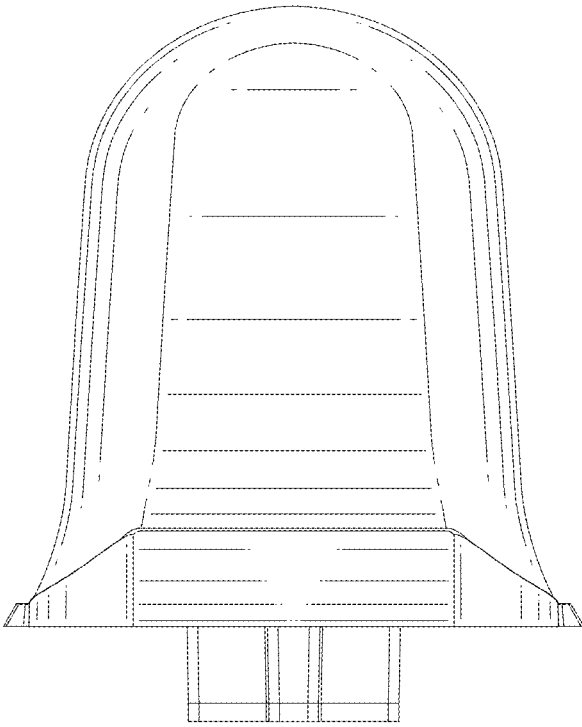


FIG.3

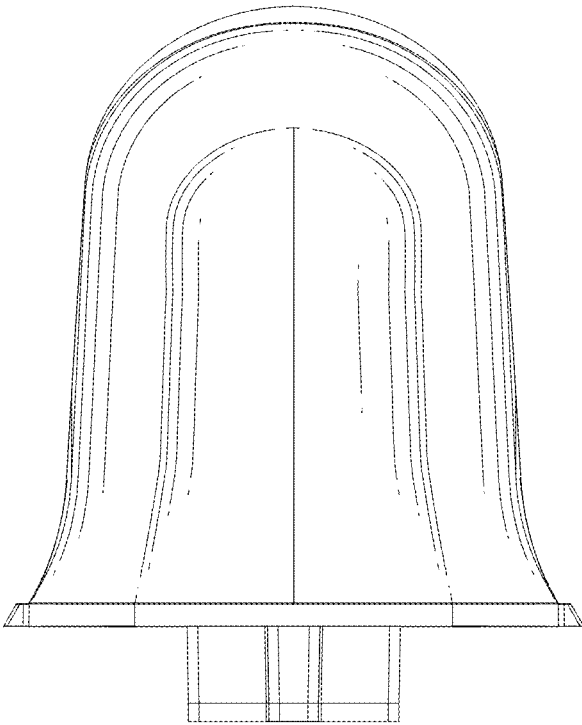


FIG. 4

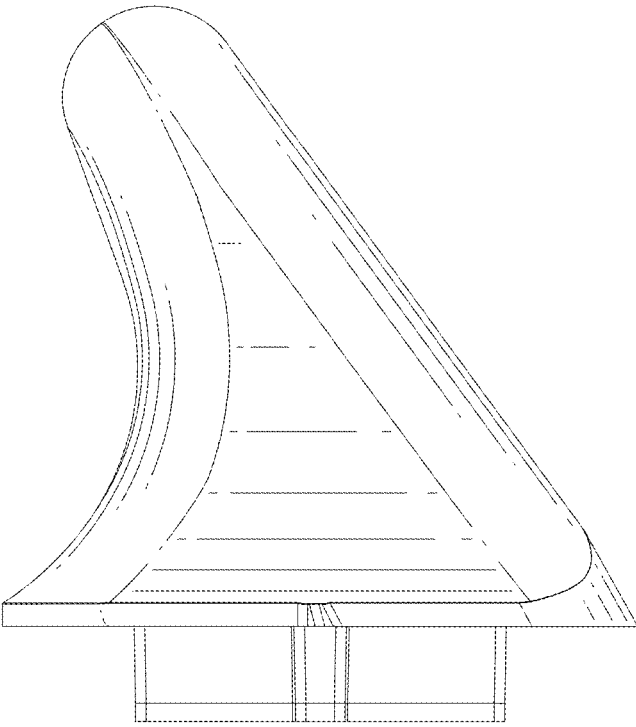


FIG.5

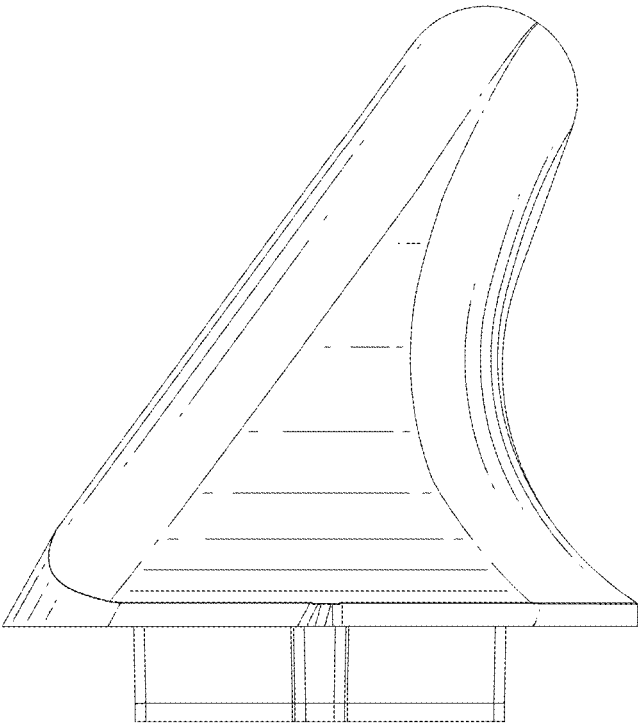


FIG. 6

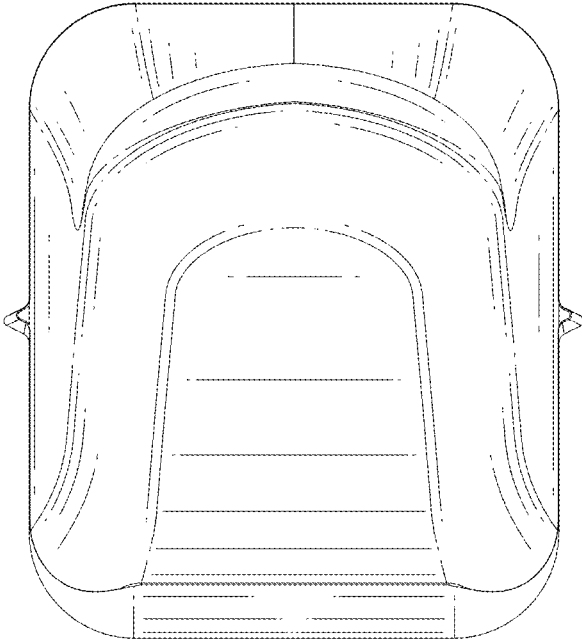


FIG. 7

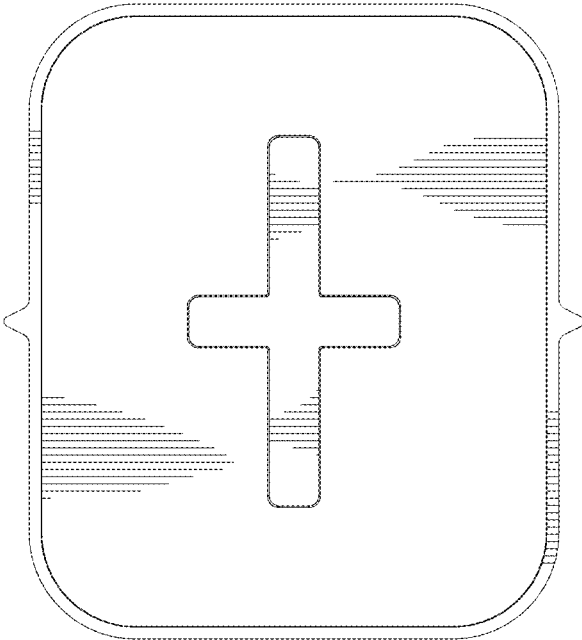


FIG.8

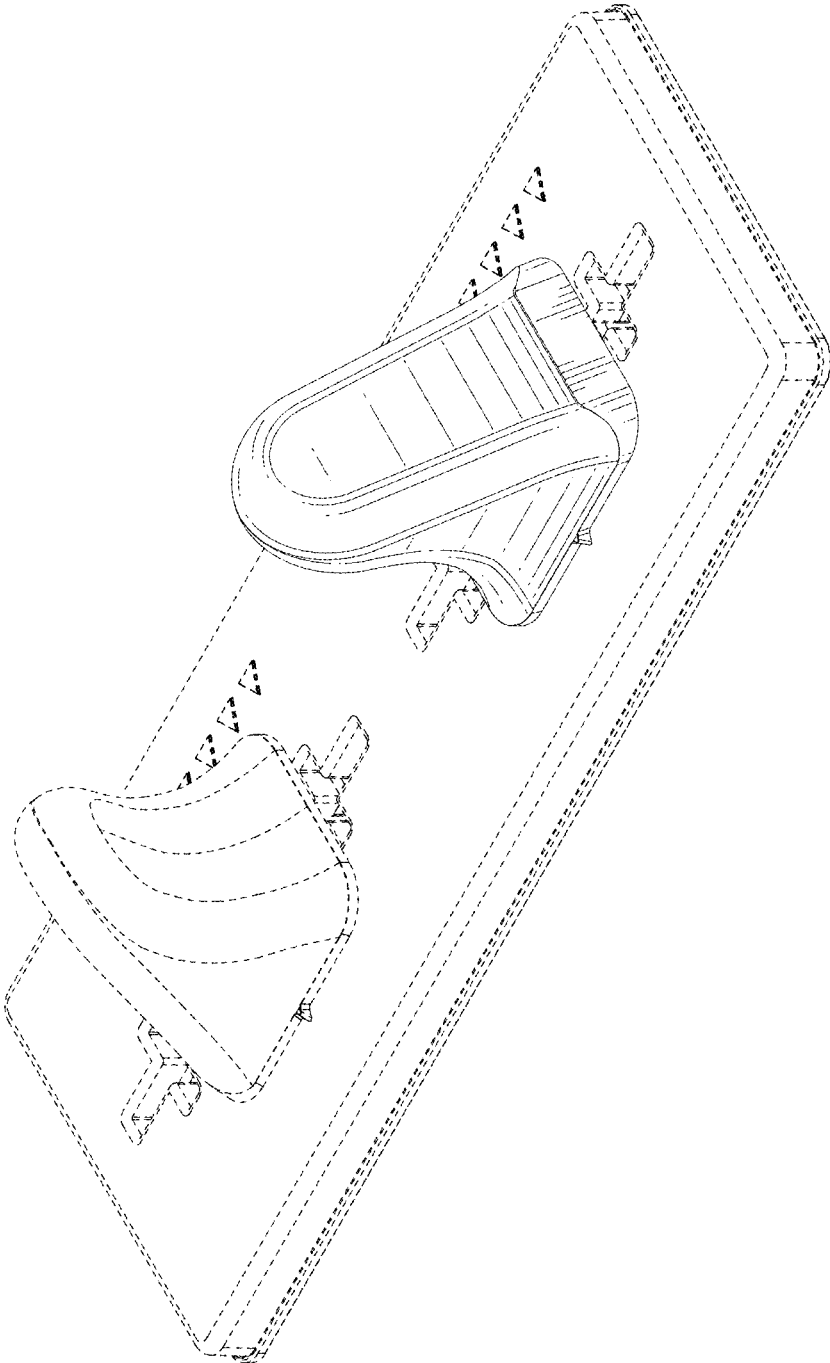


FIG. 9