



US0D1000412S

(12) **United States Design Patent**
Liu

(10) **Patent No.:** **US D1,000,412 S**

(45) **Date of Patent:** **** Oct. 3, 2023**

(54) **PORTION OF A HEADPHONE**

(71) Applicant: **Shenzhen OUNI Technology Co., Ltd,**
Guangdong (CN)

(72) Inventor: **Ming Liu,** Guangdong (CN)

(**) Term: **15 Years**

(21) Appl. No.: **29/818,556**

(22) Filed: **Dec. 9, 2021**

Related U.S. Application Data

(63) Continuation of application No. 29/817,429, filed on
Dec. 1, 2021.

(30) **Foreign Application Priority Data**

Jul. 21, 2021 (CN) 202130464693.0

(51) **LOC (14) Cl.** **14-01**

(52) **U.S. Cl.**

USPC **D14/205; D14/207**

(58) **Field of Classification Search**

USPC D14/205, 207; D2/865-866, 874;

D29/112; 2/209; D11/158; D21/617;

D26/47, 98; 446/189, 370; 362/105

CPC H04R 25/00; H04R 25/02; H04R 1/1066;

H04R 1/1016; H04R 5/033; H04R

5/0335; H04R 1/10; H04R 1/02; A63H

3/00; A45D 8/20

See application file for complete search history.

(56) **References Cited**

U.S. PATENT DOCUMENTS

D163,779 S * 6/1951 Ulvad D19/142

2,947,091 A * 8/1960 McCrary A61G 12/00

D11/158

4,547,171 A * 10/1985 Horimoto A63H 3/006

446/72

D458,759 S * 6/2002 Landauer D21/659

D599,927 S * 9/2009 van der Lande D26/47

D634,732 S * 3/2011 Kondo D14/205

D635,957 S * 4/2011 Hirano D14/205

D643,065 S * 8/2011 van der Lande D19/142

D657,006 S * 4/2012 Wallick D21/659

D662,080 S * 6/2012 Carr D14/205

D683,329 S * 5/2013 Hagelin D14/205

D685,283 S * 7/2013 Katoh D11/1

D699,702 S * 2/2014 Chen D14/205

D717,764 S * 11/2014 Lee D14/205

D719,136 S * 12/2014 Schaal D14/206

D757,679 S * 5/2016 Yan D14/205

D758,508 S * 6/2016 Chuang D21/617

D795,837 S * 8/2017 Cai D14/205

D801,948 S * 11/2017 Picunko D14/205

(Continued)

FOREIGN PATENT DOCUMENTS

CN 306402067 * 3/2021

EM 004163384-0001 * 8/2017

(Continued)

Primary Examiner — Paula Allen Greene

(57) **CLAIM**

The ornamental design for a portion of a headphone, as shown and described.

DESCRIPTION

FIG. 1 is a rear and top perspective view of a portion of a headphone design showing my new design.

FIG. 2 is a front view of a portion of a headphone.

FIG. 3 is a rear view of a portion of a headphone.

FIG. 4 is a left side view of a portion of a headphone.

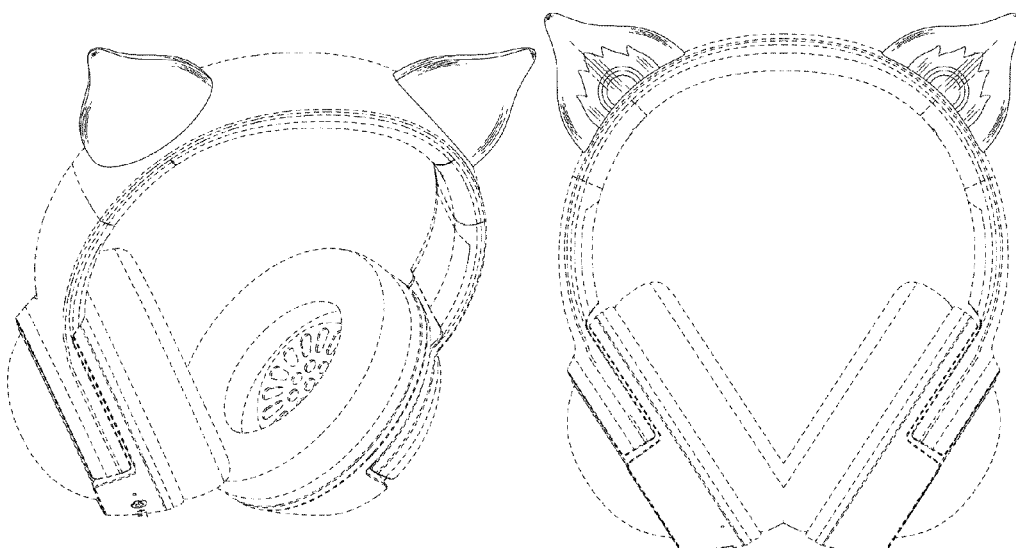
FIG. 5 is a right side view of a portion of a headphone.

FIG. 6 is a top view of a portion of a headphone; and,

FIG. 7 is a bottom view of a portion of a headphone.

The broken lines illustrate environment and form no part of the claimed design.

1 Claim, 7 Drawing Sheets



(56)

References Cited

U.S. PATENT DOCUMENTS

10,021,487 B2 * 7/2018 Yan H04R 5/0335
 D851,624 S * 6/2019 Huang D14/205
 D858,483 S * 9/2019 Hu D14/205
 D863,253 S * 10/2019 He D14/205
 D868,026 S * 11/2019 Hardi D14/205
 D869,433 S * 12/2019 Huan D14/207
 D869,437 S * 12/2019 Hu D14/205
 D879,742 S * 3/2020 Hu D14/205
 D884,669 S * 5/2020 Zhong D14/205
 D887,391 S * 6/2020 Chong D14/205
 D888,008 S * 6/2020 Yook D14/205
 D889,431 S * 7/2020 Huang D14/207
 D890,124 S * 7/2020 ShiXing D14/207
 D892,080 S * 8/2020 Krakovski D14/205
 D901,436 S * 11/2020 Peng D14/205
 D902,176 S * 11/2020 Huang D14/207
 D909,989 S * 2/2021 Lu D14/207
 D914,635 S * 3/2021 Tong D14/205
 D920,954 S * 6/2021 Tong D14/207
 D921,606 S * 6/2021 Wang D14/207
 D926,154 S * 7/2021 Tong D14/206
 D928,115 S * 8/2021 Huang D14/207

D933,043 S * 10/2021 Liu D14/206
 D936,631 S * 11/2021 Qin D14/205
 D940,098 S * 1/2022 Liu D14/207
 D944,763 S * 3/2022 He D14/207
 D944,764 S * 3/2022 He D14/207
 D944,768 S * 3/2022 He D14/206
 D975,673 S * 1/2023 Huang D14/207
 2009/0032051 A1 * 2/2009 Defenbaugh A45D 8/20
 132/273
 2010/0177907 A1 * 7/2010 Morisawa H04R 5/0335
 381/74
 2016/0088383 A1 * 3/2016 Yan H04R 5/0335
 381/378

FOREIGN PATENT DOCUMENTS

EM 007685730-0001 * 2/2020
 EM 008160840-0001 * 9/2020
 EM 008275812-0001 * 11/2020
 EM 008276281-0001 * 11/2020
 EM 008538060-0001 * 5/2021
 EM 008593172-0001 * 6/2021
 GB 6103038 * 10/2020

* cited by examiner

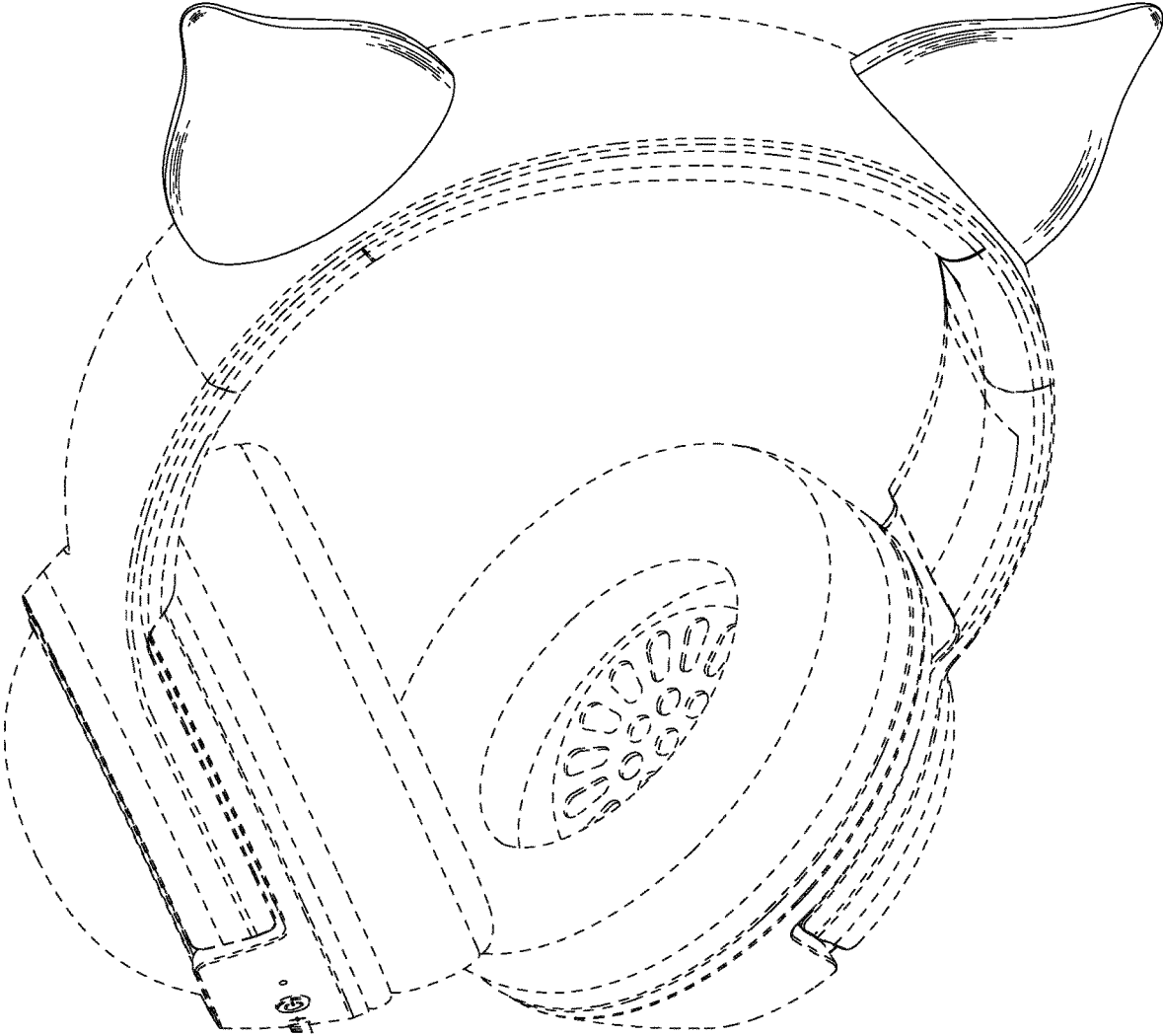


FIG. 1

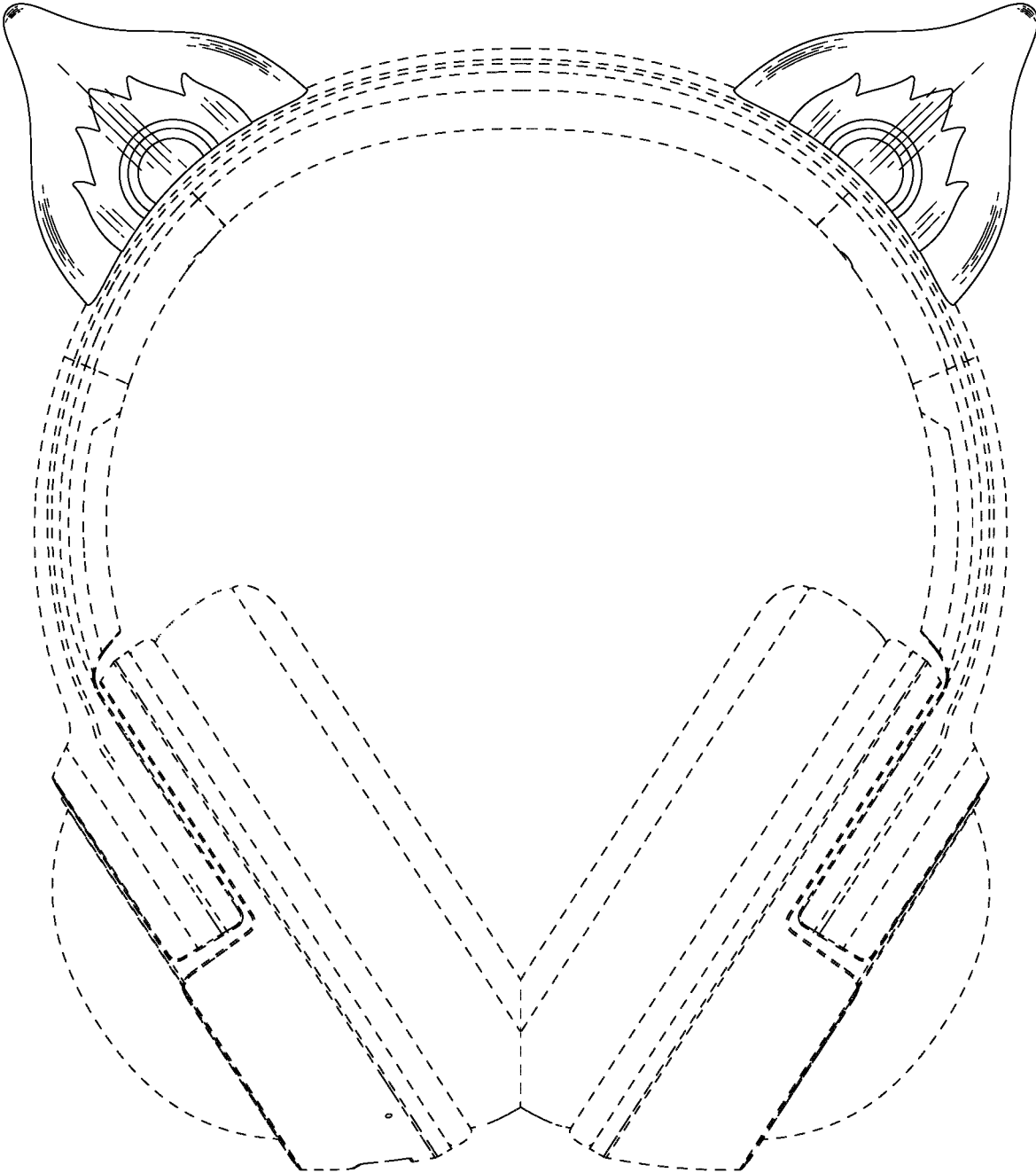


FIG. 2

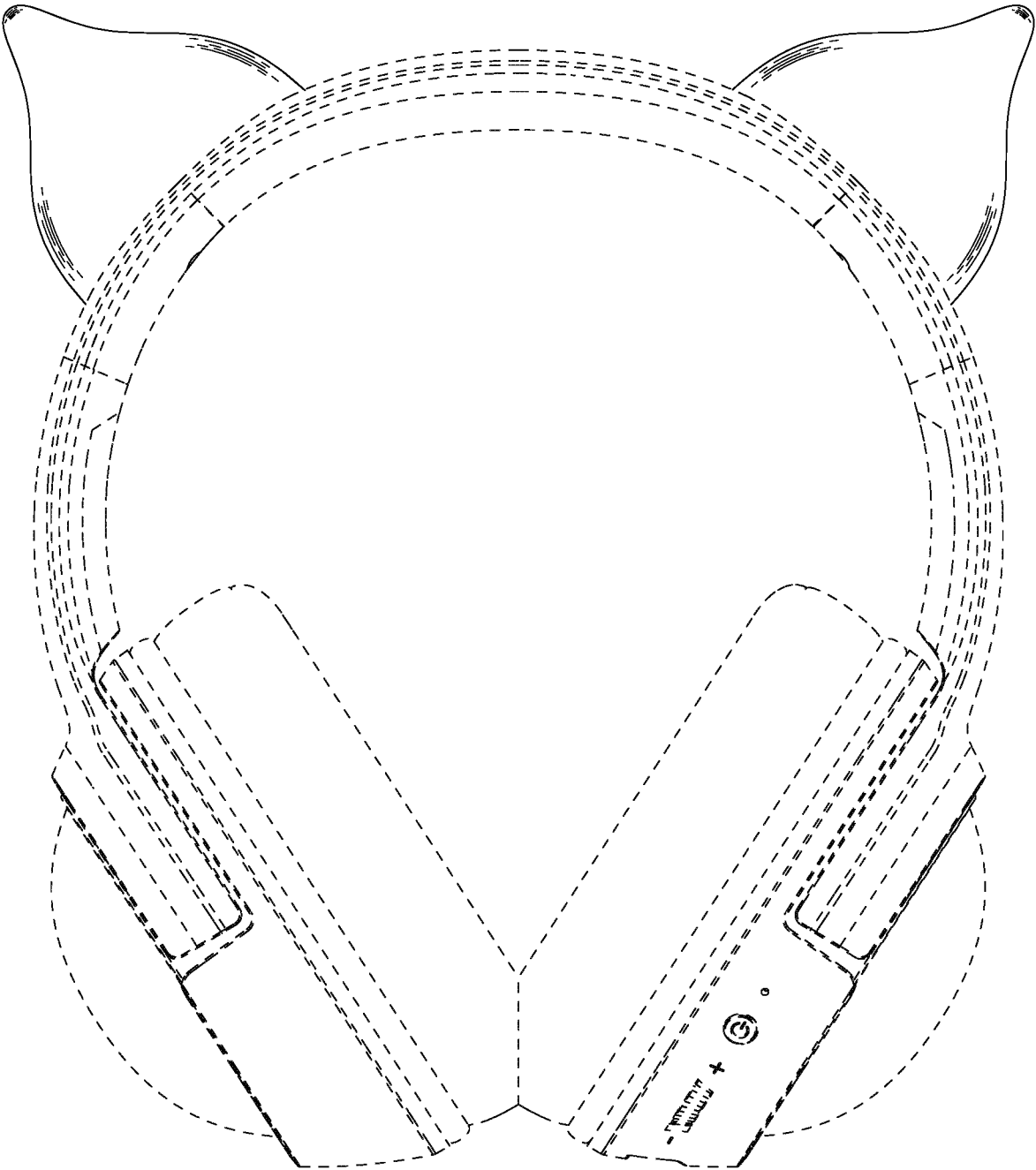


FIG. 3

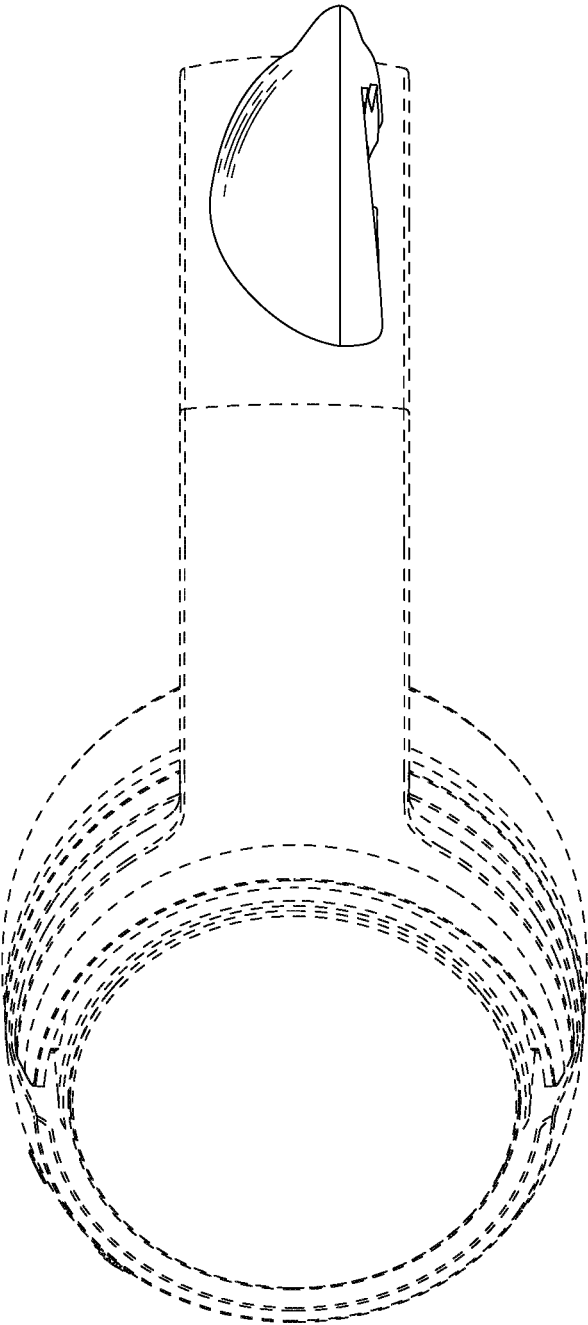


FIG. 4

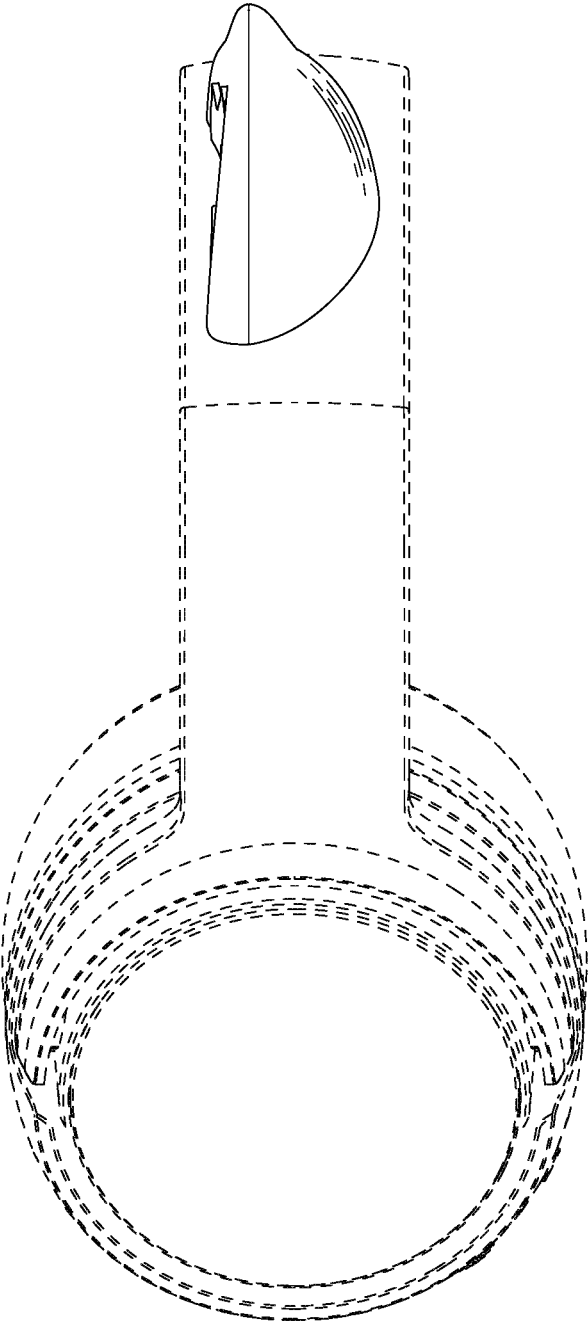


FIG. 5

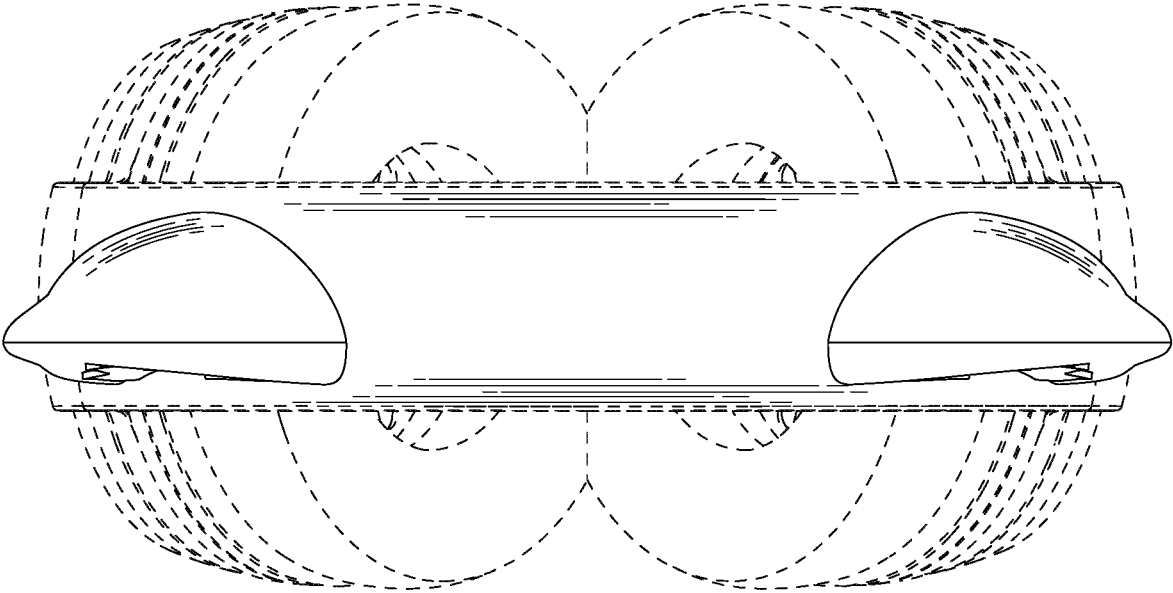


FIG. 6

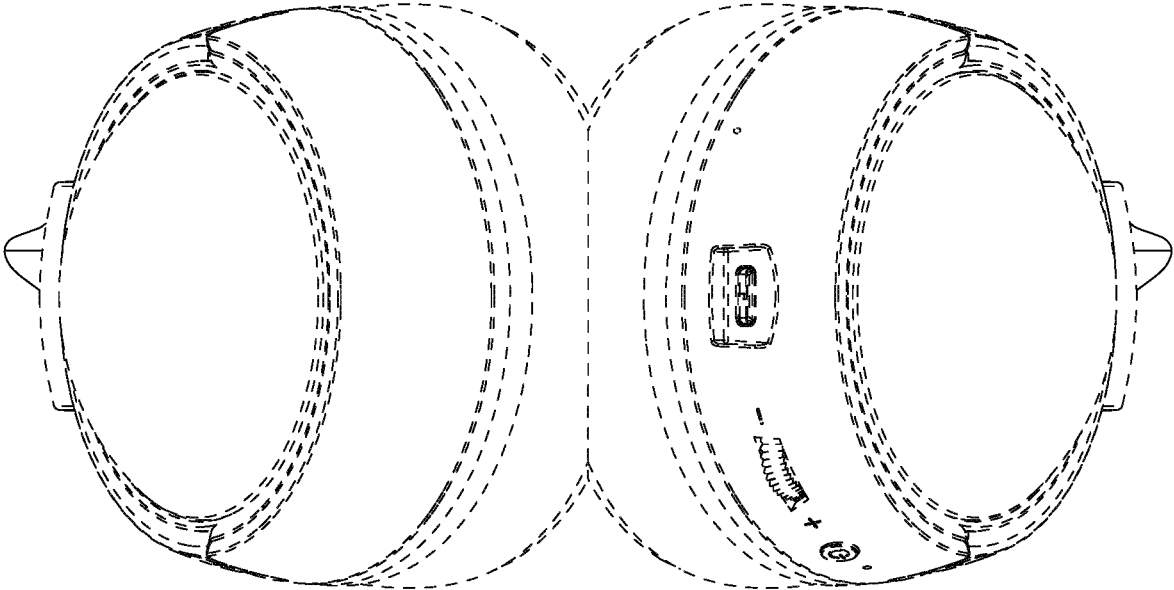


FIG. 7