



US00D868051S

(12) **United States Design Patent**  
**Kim et al.**

(10) **Patent No.:** **US D868,051 S**  
(45) **Date of Patent:** **\*\* \*Nov. 26, 2019**

- (54) **CASE FOR ELECTRONIC COMMUNICATIONS DEVICE**
- (71) Applicant: **SPIGEN KOREA CO., LTD.**, Seoul (KR)
- (72) Inventors: **Dae-Young Kim**, Seoul (KR); **Soo Ha Jung**, Seoul (KR)
- (73) Assignee: **SPIGEN KOREA CO., LTD.**, Seoul (KR)
- (\* ) Notice: This patent is subject to a terminal disclaimer.
- (\*\*) Term: **15 Years**
- (21) Appl. No.: **29/575,411**
- (22) Filed: **Aug. 24, 2016**
- (51) **LOC (12) Cl.** ..... **14-03**
- (52) **U.S. Cl.**
- USPC ..... **D14/250**
- (58) **Field of Classification Search**
- USPC ..... D14/248, 439, 203.3–203.7, 217, 240, D14/447, 251–253, 238.1, 440, 250; D3/201, 218, 247, 269, 273, 301, 303; D13/103, 107–108, 119
- CPC ..... H04B 1/3888; H04M 1/0283; H04M 1/0202; A45C 1/06; A45C 2011/002; A45C 11/00; A45C 13/02; A45F 2005/026; A45F 2200/0525; A45F 2200/0516
- See application file for complete search history.

D663,263 S	7/2012	Gupta et al.	
D681,615 S	5/2013	Fathollahi	
D681,620 S *	5/2013	Huskinson	D14/250
D682,196 S	5/2013	Leung	
D688,654 S *	8/2013	Stevinson	D14/250
D688,655 S *	8/2013	Rey-Hipolito	D14/250
8,504,127 B2	8/2013	Altschul et al.	
8,517,172 B1	8/2013	Chang	
D703,651 S *	4/2014	Ehrlich	D14/250
D705,764 S *	5/2014	Thoni	D14/250
8,726,952 B2	5/2014	Jambunathan et al.	
D707,965 S	7/2014	Requa	
D712,890 S *	9/2014	McCormac	D14/250
D712,891 S *	9/2014	Fathollahi	D14/250
D716,045 S	10/2014	Requa	
D723,532 S *	3/2015	Stevinson	D14/250
8,971,975 B2	3/2015	Ramies et al.	
9,049,283 B1	6/2015	Kim	
D733,714 S *	7/2015	Ballou	D14/440
D741,845 S	10/2015	Kim	
D743,931 S	11/2015	Hubbard et al.	
9,241,551 B2	1/2016	Lawson et al.	
D749,068 S	2/2016	Zaborski et al.	
D749,557 S *	2/2016	Feng	D14/250
D753,099 S	4/2016	Kim	
D756,911 S	5/2016	Gupta et al.	
D759,966 S	6/2016	Pignotti	
D761,239 S *	7/2016	Kim	D14/250
D765,069 S *	8/2016	Jeffrey	D14/250
D776,101 S *	1/2017	Poon	D14/250
D776,646 S *	1/2017	Deng	D14/250
D780,163 S *	2/2017	Fathollahi	D14/250
9,661,116 B1 *	5/2017	Chung	H04M 1/21
2013/0095898 A1 *	4/2013	Altschul	H04B 1/3888 455/575.8
2014/0370946 A1 *	12/2014	Daniell	H04M 1/0283 455/575.8
2015/0365122 A1 *	12/2015	Kim	H04M 1/21 455/575.8
2016/0113368 A1 *	4/2016	Tu	H04B 1/3888 206/45.23
2016/0374443 A1 *	12/2016	Kim	A45C 11/182 206/38
2017/0086557 A1 *	3/2017	Choi	A45C 15/00

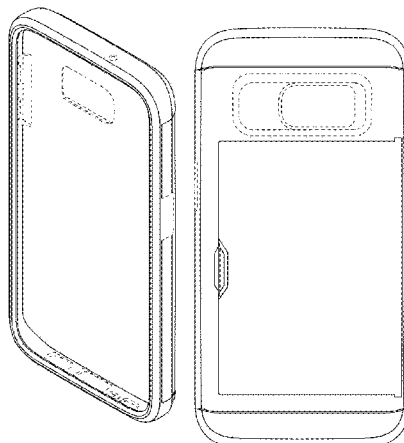
(56) **References Cited**

**U.S. PATENT DOCUMENTS**

D619,361 S	7/2010	Andre et al.	
D624,064 S *	9/2010	Esposito	D14/250
D625,920 S *	10/2010	Lyon	D3/247
D631,246 S *	1/2011	Boettner	D3/203.2
D646,265 S	10/2011	Fathollahi	
D650,371 S	12/2011	Wibby et al.	
D651,791 S *	1/2012	Cataldo	D3/218

**OTHER PUBLICATIONS**

10 Best Samsung Galaxy Note 4 Cases with enlarged view of Verus Card Slot Case for Galaxy Note 4; last updated on Jun. 22, 2017; URL: <https://www.wiknix.com/10-best-samsung-galaxy-note-4-cases/>; retrieved from internet on Aug. 3, 2017.\*



“iPhone 6 Case, Verus [Damda Slide][Dark Silver]—[Wallet Card Slot][Heavy Duty Protection] for Apple iPhone 6 4.7”, <https://www.amazon.com/dp/B01EO2PE10>, earliest review date of May 24, 2016.

“Galaxy Note 4 Case, Verus [Damda Slide][Dark Silver]—[Wallet Card Slot][Heavy Duty Protection] for Samsung Note 4”, <https://www.amazon.com/dp/B00MJE610G>, earliest review date of Oct. 18, 2014.

“Galaxy Note 5 Case, Verus [Damda Slide][Dark Silver]—[Wallet Card Slot][Heavy Duty Protection] for Samsung Note 5”, <https://www.amazon.com/dp/B00VN6E8KS>, earliest review date of Aug. 24, 2015.

“Galaxy S6 Edge Case, Verus [Damda Slide][Dark Silver]—[Wallet Card Slot][Heavy Duty Protection] For Samsung galaxy s6 edge”, <https://www.amazon.com/dp/B00U0MDTEM>, earliest review date of Apr. 2, 2015.

“Galaxy S6 Edge Plus Case, Verus [Damda Slide][Dark Silver]—[Wallet Card Slot][Heavy Duty Protection] for Samsung galaxy s6 plus”, <https://www.amazon.com/dp/B013F8CLK0>, earliest review date of Aug. 29, 2015.

“iPhone 6 Plus Case, Verus [Damda Slide][Dark Silver]—[Wallet Card Slot][Heavy Duty] for Apple iPhone 6 Plus 5.5”, <https://www.amazon.com/dp/B01E02P5H2>, earliest review date of May 26, 2016.

“iPhone 6S Case, Verus [Damda Slide][Dark Silver]—[Wallet Card Slot][Heavy Duty Protection] for Apple iPhone 6 6s 4.7”, <https://www.amazon.com/dp/B00M9UBQ2A>, earliest review date of Sep. 16, 2014.

“iPhone 6S Plus Case, Verus [Damda Slide][Dark Silver]—[Wallet Card Slot][Heavy Duty] for Apple iPhone 6 6s Plus 5.5”, <https://www.amazon.com/dp/B00NHZZIZY>, earliest review date of Oct. 5, 2014.

“Spigen Slim Armor CS iPhone 6 Case with Slim Dual Layer Wallet Design and Card Slot Holder for iPhone 6S / iPhone 6—CS Gunmetal”, <https://www.amazon.com/Spigen-iPhone-Wallet-Design-Holder/dp/B00JH88JDQ>, Earliest review date of Sep. 10, 2014, Downloaded on Jan. 16, 2019.

VRS Design, “VRS Design unveils semi-automatic Damda Glide cases for the Samsung Galaxy Note 7”, <https://www.pmevswire.com/news-releases/vrs-design-unveils-semi-automatic-damda-glide-cases-for-the-samsung-galaxy-note-7-300299529.html>, Published on Jul. 18, 2016, Downloaded on Dec. 18, 2018.

Jeff Springer, “Galaxy Note 7 Case Preview from VRS Design: Damda Glide Case!”, <https://www.youtube.com/watch?v=3aoPDXLbrRk>, Published on Aug. 1, 2016, Downloaded on Dec. 18, 2018.

“Galaxy S7 Edge Case Damda Glide Series”, <https://vrsdesign.com/products/damda-glide-series-galaxy-s7-edge-case>, Earliest review posted on 2016, Downloaded on Dec. 17, 2018.

“iPhone 6/6s Case Damda Glide Series”, <https://vrsdesign.com/products/damda-glide-series-2>, Earliest review posted on 2016, Downloaded on Dec. 17, 2018.

“iPhone 6 Plus/6s Plus Case Damda Glide Series”, <https://vrsdesign.com/products/iphone-6-plus-6s-plus-damda-glide-series>, Earliest review posted on 2016, Downloaded on Dec. 18, 2018.

“Spigen Slim Armor View Galaxy S4 Case with Automatic Sleep / Wake Feature for Galaxy S4 2013—Soul Black”, <https://www.amazon.com/dp/B00DCCV55Y>, Published on Mar. 18, 2013, Downloaded on Feb. 19, 2019.

“Spigen Slim Armor HTC One M9 Case with Kickstand and Air Cushion Technology Hybrid Drop Protection for HTC One M9 2015—Metal Slate”, <https://www.amazon.com/dp/B00SNOTASI>, Published on Mar. 31, 2015, Downloaded on Jan. 16, 2019.

“Spigen Slim Armor View Galaxy S5 Case with Automatic Sleep / Wake Feature for Samsung Galaxy S5 2014—View Smooth White”, <https://www.amazon.com/dp/B00KGG02EI>, Published on Jan. 18, 2014, Downloaded on Jan. 16, 2019.

“Spigen Slim Armor Nexus 5 Case with Air Cushion Technology and Hybrid Drop Protection for Nexus 5 2013—Infinity White”, <https://www.amazon.com/dp/B00EV8Y7XI>, Published on Nov. 4, 2013, Downloaded on Jan. 16, 2019.

“Spigen Slim Armor LG G3 Case with Air Cushion Technology and Hybrid Drop Protection for LG G3 2014—Metal Slate”, <https://www.amazon.com/dp/B00JQI2G5O>, Published on Jul. 9, 2014, Downloaded on Jan. 16, 2019.

“Spigen Tough Armor iPhone 6 Case with Extreme Heavy Duty Protection and Air Cushion Technology for iPhone 6S / iPhone 6—Gunmetal”, <https://www.amazon.com/dp/B00LL60JU8>, Published on Sep. 10, 2014, Downloaded on Jan. 15, 2019.

“Spigen Tough Armor S iPhone 6 Case with Extreme Heavy Duty Protection and Card Kickstand Feature for iPhone 6S / iPhone 6—S Mint”, <https://www.amazon.com/dp/B00LL65B06>, Published on Sep. 18, 2014, Downloaded on Jan. 15, 2019.

“Spigen Tough Armor FX iPhone 6 Case with Extreme Protection and Front Built-In Screen Protector Cover for iPhone 6S / iPhone 6—Gunmetal”, <https://www.amazon.com/dp/B00PR9XE5C>, Published on Jan. 8, 2015, Downloaded on Jan. 15, 2019.

“Spigen Tough Armor Designed for Apple iPad Mini 3 Case, iPad Mini 2 Case, iPad Mini Case—Metal Slate”, <https://www.amazon.com/dp/B00FRVDVXK>, Published on Dec. 27, 2013, Downloaded on Jan. 15, 2019.

“Spigen Slim Armor iPhone 6 Plus Case with Air Cushion Technology and Hybrid Drop Protection for iPhone 6S Plus / iPhone 6 Plus—Shimmery White”, <https://www.amazon.com/dp/B00JH83C6U>, Published on Sep. 12, 2014, Downloaded on Sep. 18, 2018.

“Spigen Slim Armor Galaxy S6 Edge Case with Kickstand and Air Cushion Technology and Hybrid Drop Protection for Galaxy S6 Edge 2015—Gunmetal”, <https://www.amazon.com/dp/B00SV638ZE>, Published on Apr. 3, 2015, Downloaded on Sep. 18, 2018.

“Spigen Slim Armor Galaxy S6 Case with Air Cushion Technology and Kickstand for Galaxy S6 2015—Shimmery White”, <https://www.amazon.com/dp/B00QU4NQMY>, Published on Mar. 21, 2015, Downloaded on Sep. 18, 2018.

“Spigen Slim Armor Galaxy S5 Case with Air Cushion Technology and Hybrid Drop Protection for Samsung Galaxy S5 2014—Metal Slate”, <https://www.amazon.com/dp/B00I3UWD7C>, Published on Apr. 11, 2014, Downloaded on Sep. 18, 2018.

“Spigen Slim Armor iPhone SE / 5S / 5 Case with Advanced Drop Protection and Dual Layer Design for iPhone SE / iPhone 5S / iPhone 5—Metal Slate”, <https://www.amazon.com/dp/B00DD62R40>, Published on Dec. 14, 2012, Downloaded on Sep. 18, 2018.

“Spigen Slim Armor iPhone 6 Case with Air Cushion Technology and Hybrid Drop Protection for iPhone 6 2014—Gunmetal”, <https://www.amazon.com/dp/B00JH88GB6>, Published on Aug. 13, 2014, Downloaded on Sep. 18, 2018.

“Spigen Tough Armor Galaxy Note 4 Case with Extreme Heavy Duty Protection and Air Cushion Technology for Samsung Galaxy Note 4 2014—Gunmetal”, <https://www.amazon.com/dp/B00MAWQU14>, Published on Oct. 9, 2014, Downloaded on Aug. 31, 2018.

“Spigen Tough Armor Galaxy S6 Edge Case with Reinforced Kickstand and Heavy Duty Protection and Air Cushion Technology for Samsung Galaxy S6 Edge (2015)—Gunmetal”, <https://www.amazon.com/dp/B00SV63L38>, Published on Mar. 12, 2015, Downloaded on Aug. 9, 2018.

“Spigen Tough Armor Galaxy S5 Case with Extreme Heavy Duty Protection and Air Cushion Technology for Samsung Galaxy S5 2014—Gunmetal”, <https://www.amazon.com/dp/B00I3UWDV8>, Published on Mar. 9, 2014, Downloaded on Aug. 9, 2018.

“Spigen Tough Armor iPhone SE/5S/5 Case with Extreme Heavy Duty Protection and Air Cushion Technology for iPhone SE/iPhone 5S/iPhone 5—Metal Slate”, <https://www.amazon.com/dp/B00DMKGGPP4>, Published on Aug. 1, 2013, Downloaded on Aug. 9, 2018.

“Spigen Tough Armor Galaxy S6 Case with Reinforced Kickstand and Heavy Duty Protection and Air Cushion Technology for Samsung Galaxy S6 (2015)—Gunmetal”, <https://www.amazon.com/dp/B00QU4PUKK>, Published on Mar. 23, 2015, Downloaded on Aug. 9, 2018.

“Spigen Tough Armor iPhone 6 Case with Extreme Heavy Duty Protection and Air Cushion Technology for iPhone 6S/ iPhone 6—Smooth Black”, <https://www.amazon.com/dp/B00NSSX23I>, Published on Aug. 14, 2014, Downloaded on Aug. 9, 2018.

“Spigen Slim Armor Galaxy Note 4 Case with Air Cushion Technology and Hybrid Drop Protection for Samsung Galaxy Note 4 2014—Shimmery White”, <https://www.amazon.com/dp/B00MAWQPJQ>, Published on Oct. 7, 2014, Downloaded on Jul. 30, 2018.

“Spigen Tough Armor iPhone 6 Plus Case with Kickstand and Extreme Heavy Duty Protection and Air Cushion Technology for iPhone 6S Plus / iPhone 6 Plus—Gunmetal”, <https://www.amazon.com/dp/B00LL987W2>, Published on Jul. 8, 2014, Downloaded on Oct. 4, 2017.

\* cited by examiner

*Primary Examiner* — Carla J Wright

(74) *Attorney, Agent, or Firm* — Heedong Chae; Lucem, PC

(57)

### CLAIM

The ornamental design for a case for electronic communications device, as shown and described.

### DESCRIPTION

FIG. 1 is a front perspective view of a case for electronic communications device showing our new design;  
FIG. 2 is a rear perspective view thereof;  
FIG. 3 is a front elevational view thereof;  
FIG. 4 is a rear elevational view thereof;  
FIG. 5 is a left side elevational view thereof;  
FIG. 6 is a right side elevational view thereof;  
FIG. 7 is a top plan view thereof;  
FIG. 8 is a bottom plan view thereof;  
FIG. 9 is an exploded front perspective view thereof, showing the components of the case separated for clarity of disclosure;

FIG. 10 is an exploded rear perspective view thereof, showing the components of the case separated for clarity of disclosure;

FIG. 11 is a front perspective view of the inner component of the case shown separately for clarity of disclosure;

FIG. 12 is a rear perspective view thereof shown separately for clarity of disclosure;

FIG. 13 is a front perspective view of the outer frame component of the case shown separately for clarity of disclosure;

FIG. 14 is a rear perspective view thereof shown separately for clarity of disclosure;

FIG. 15 is a front perspective view of the rear compartment cover component of the case shown separately for clarity of disclosure;

FIG. 16 is a rear perspective view thereof shown separately for clarity of disclosure; and,

FIG. 17 is a rear perspective view of the case for electronic communications device showing the rear compartment cover in an open position.

Although the case for electronic communications device, in which the claimed design is embodied, consists of an inner component, an outer frame, and a rear compartment cover, the claim is directed to the ornamental appearance of the case for electronic communications device in its entirety and does not extend to the ornamental appearance of each of the individual components of the case for electronic communications device.

The broken lines throughout the drawing figures depict portions of the case for electronic communications device that form no part of the claimed design. The broken lines and regions bounded by broken lines form no part of the claimed design.

**1 Claim, 17 Drawing Sheets**

FIG. 1

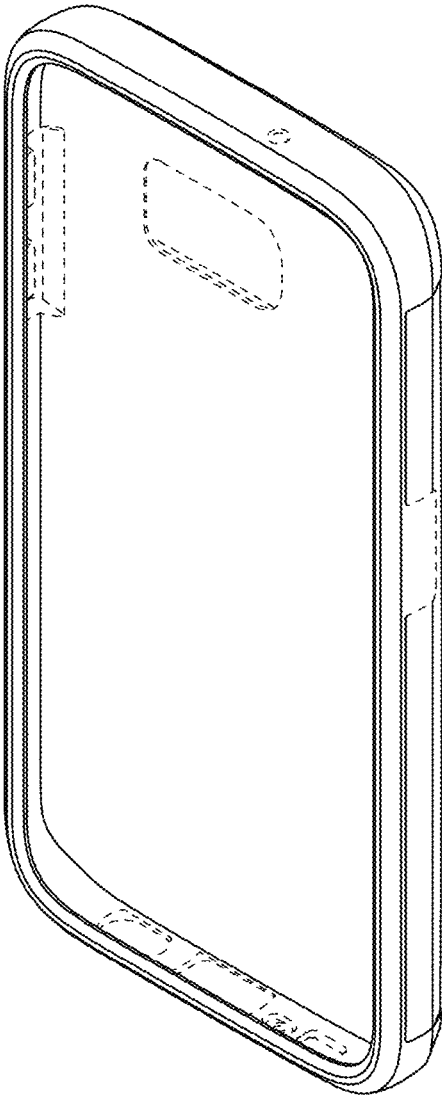


FIG. 2

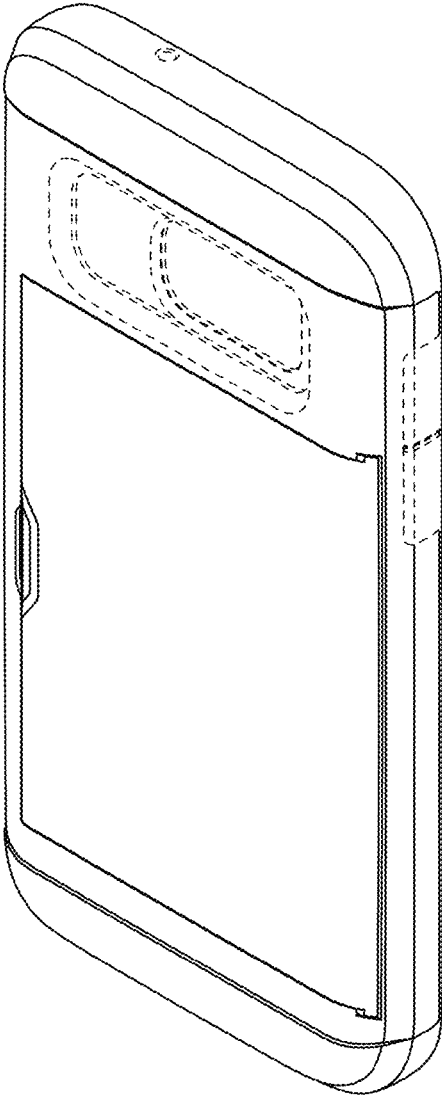


FIG. 3

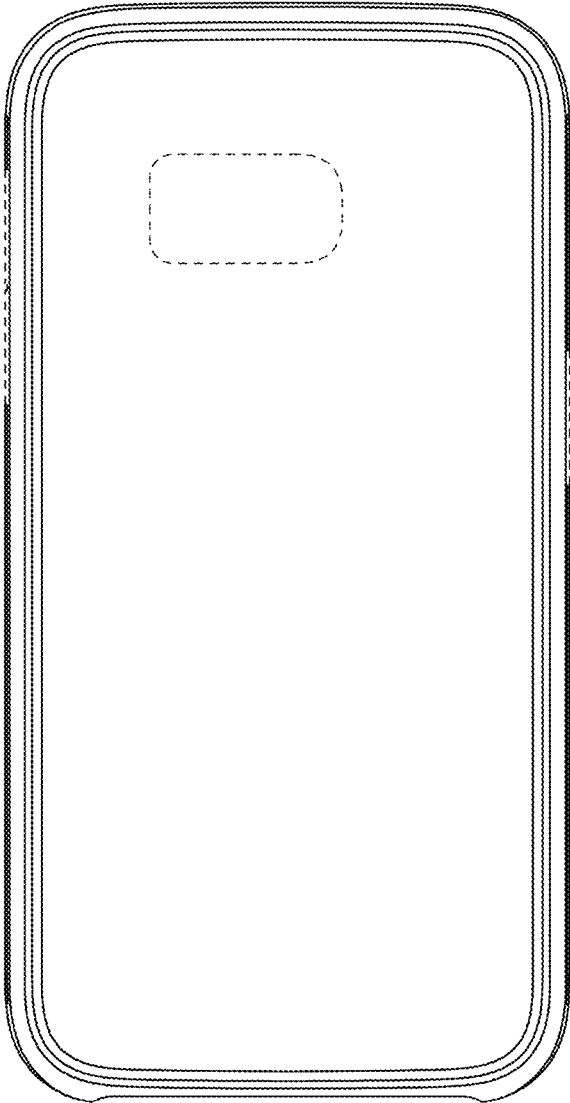


FIG. 4

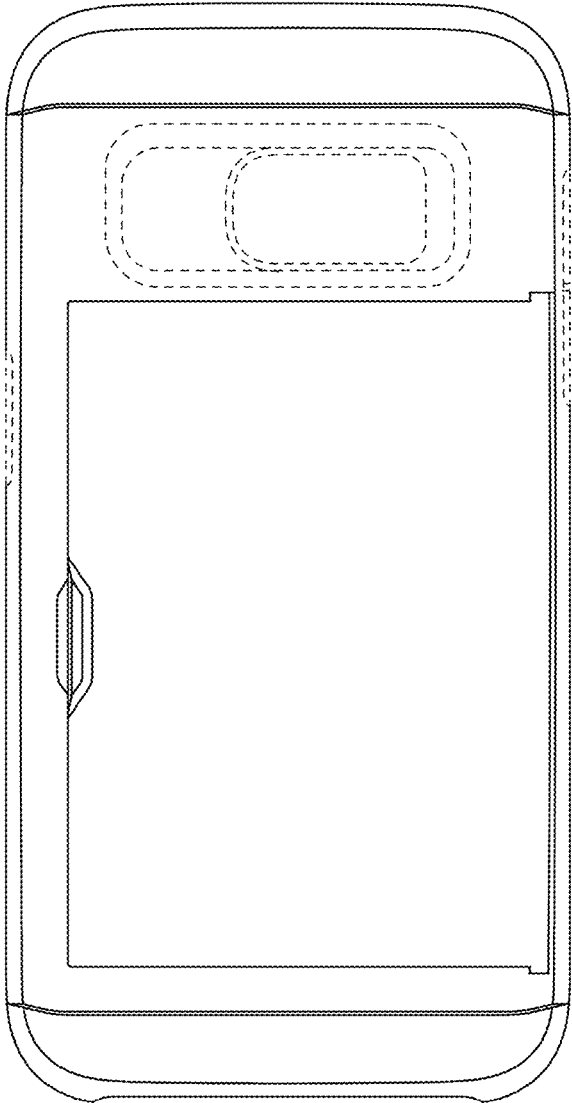


FIG. 5

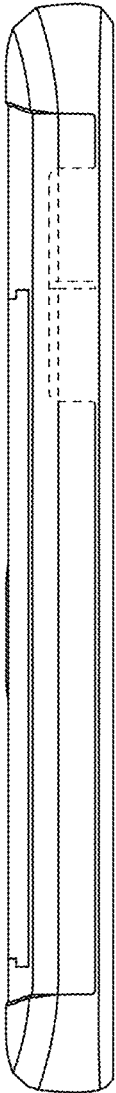




FIG. 6



FIG. 7

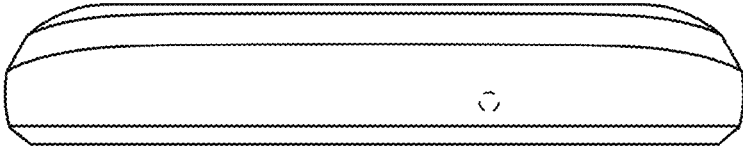


FIG. 8

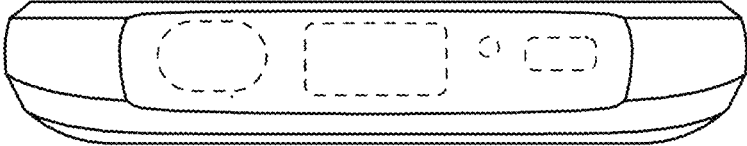


FIG. 9

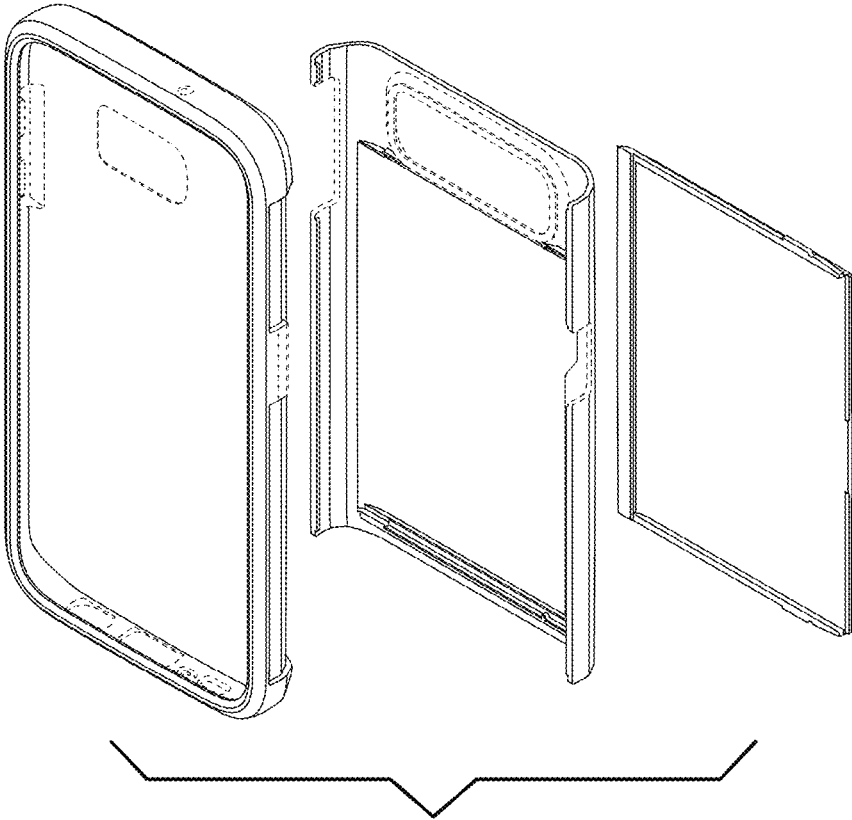


FIG. 10

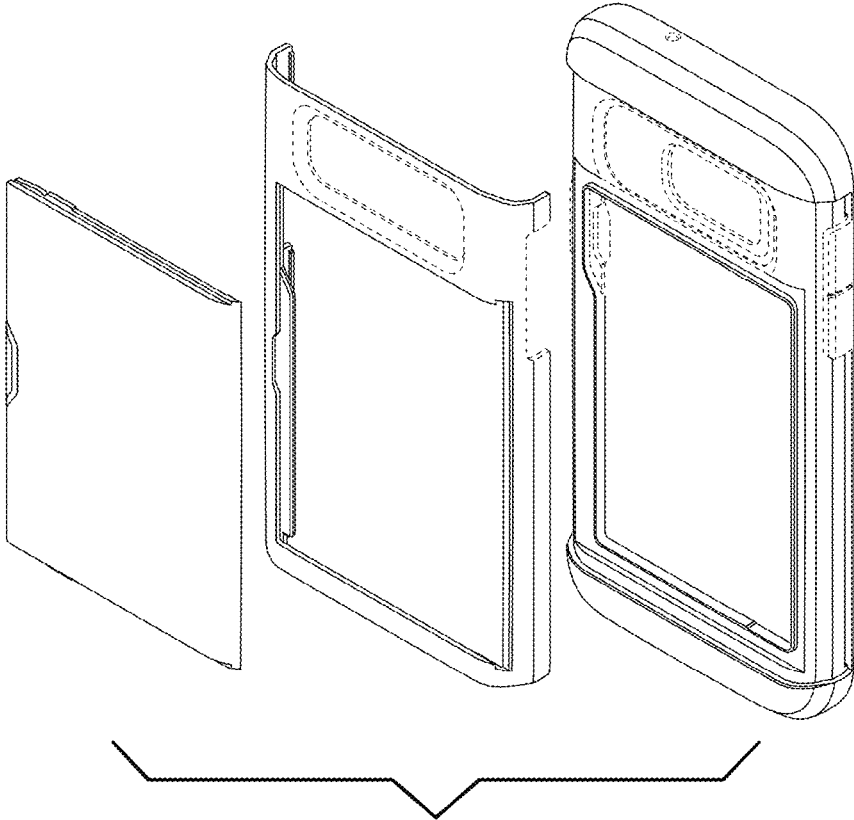


FIG. 11

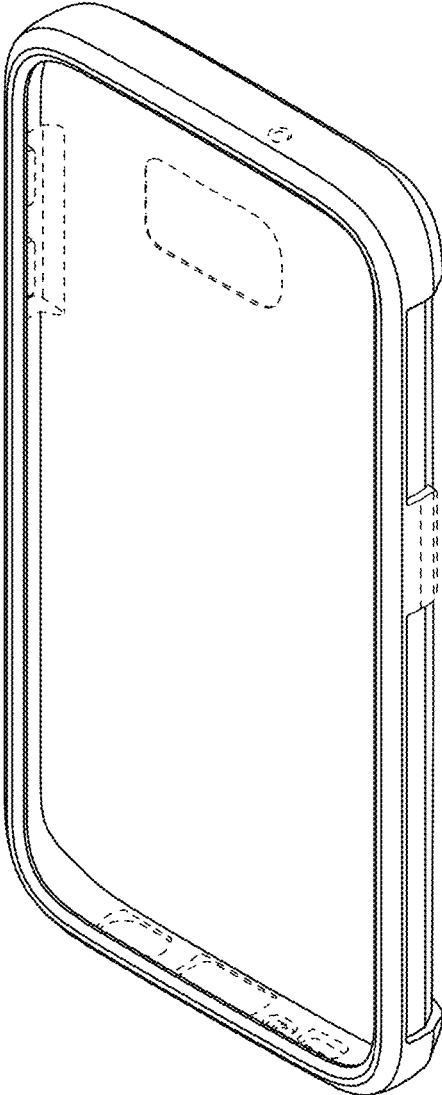


FIG. 12

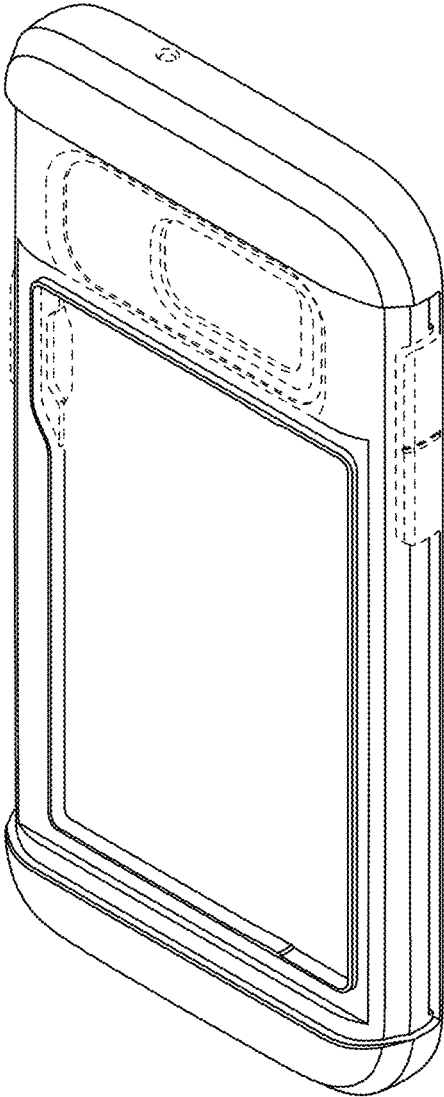


FIG. 13

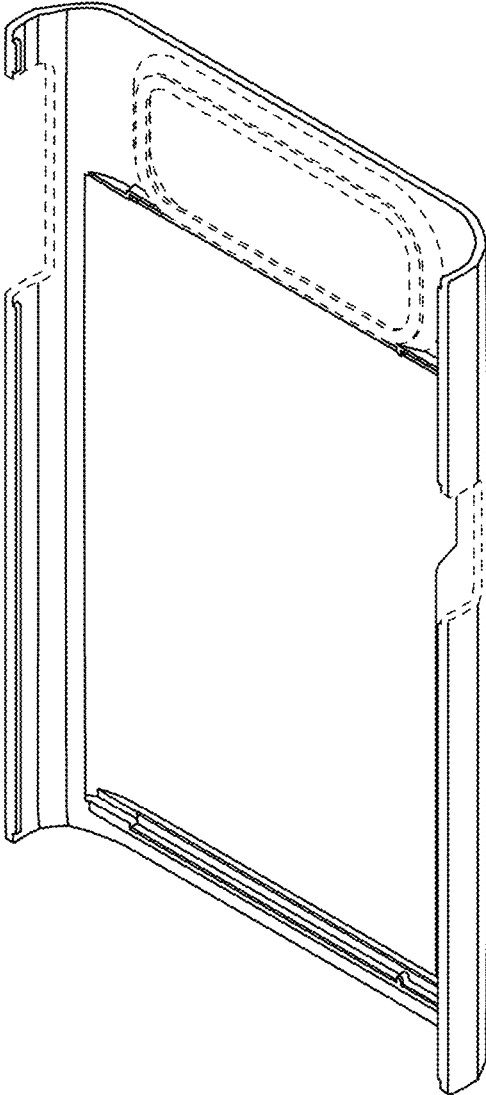




FIG. 14

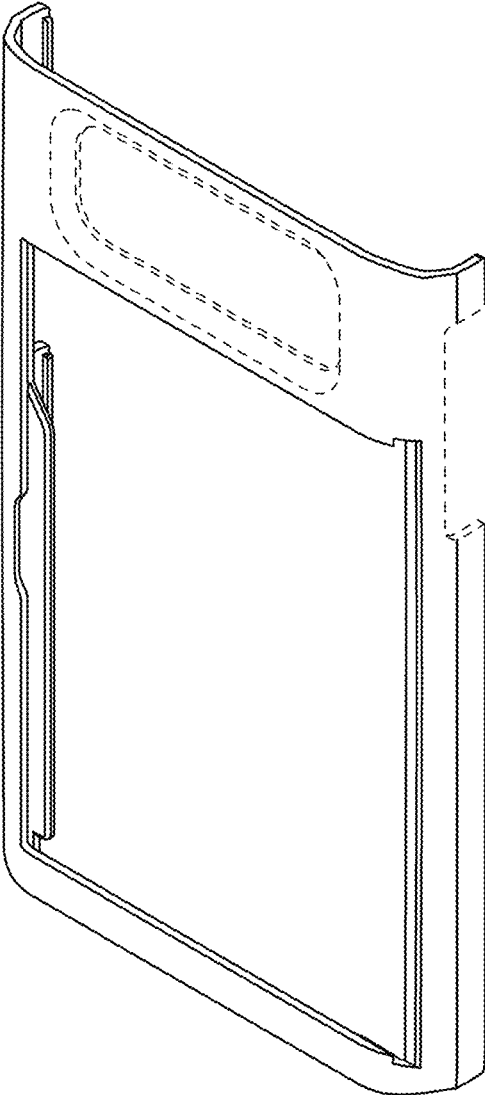


FIG. 15

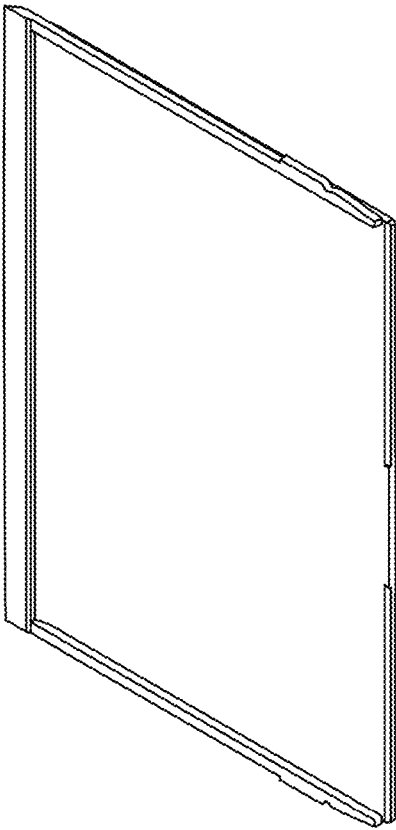


FIG. 16

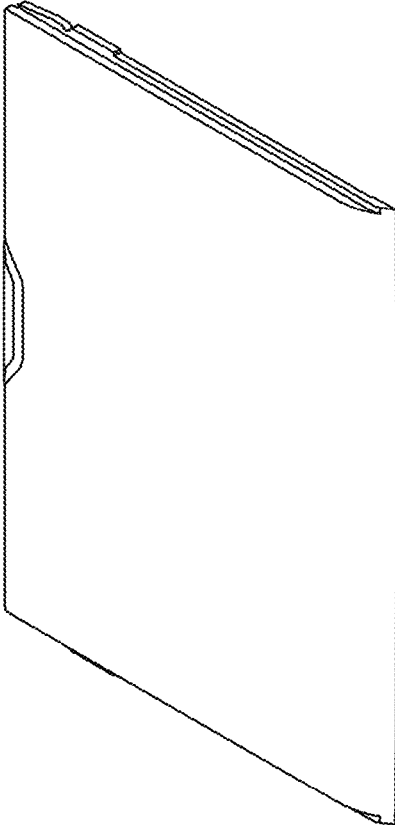


FIG. 17

