



US00D807556S

(12) **United States Design Patent**  
**Li et al.**

(10) **Patent No.:** **US D807,556 S**  
(45) **Date of Patent:** **\*\* Jan. 9, 2018**

(54) **TROFFER-STYLE FIXTURE**

FOREIGN PATENT DOCUMENTS

(71) Applicant: **CREE HONG KONG LIMITED**,  
Shatin, New Territories (HK)

CN 1762061 4/2006  
CN 1934389 3/2007

(Continued)

(72) Inventors: **Chi Man Chris Li**, N.T. (HK); **Chi Hoi Felix Mung**, Kowloon (HK); **Ho Ching Gauss So**, Kowloon (HK); **Wai To Yan**, N.T. (HK)

OTHER PUBLICATIONS

Office Action from U.S. Appl. No. 13/429,080, dated Sep. 1, 2015.  
(Continued)

(73) Assignee: **CREE HONG KONG LIMITED**,  
Shatin, N.T. (HK)

*Primary Examiner* — Angela J Lee  
(74) *Attorney, Agent, or Firm* — Koppel, Patrick, Heybl & Philpott

(\*\*) Term: **14 Years**

(57) **CLAIM**

(21) Appl. No.: **29/525,657**

The ornamental design for a troffer-style fixture, as shown and described herein.

(22) Filed: **Apr. 30, 2015**

**DESCRIPTION**

**Related U.S. Application Data**

(63) Continuation-in-part of application No. 29/481,156,  
filed on Feb. 2, 2014, now Pat. No. Des. 772,465,  
(Continued)

FIG. 1 is a top perspective view of a light fixture according to an embodiment of the present invention.  
FIG. 2 is a bottom perspective view of a light fixture according to an embodiment of the present invention.  
FIG. 3 is a front elevation view of a light fixture according to an embodiment of the present invention.  
FIG. 4 is a right side elevation view of a light fixture according to an embodiment of the present invention.  
FIG. 5 is a rear elevation view of a light fixture according to an embodiment of the present invention.  
FIG. 6 is a left side elevation view of a light fixture according to an embodiment of the present invention.  
FIG. 7 is a top plan view of a light fixture according to an embodiment of the present invention; and,  
FIG. 8 is a bottom plan view of a light fixture according to an embodiment of the present invention.  
Elements of the fixtures in the attached figures are in broken lines for illustrative purposes only and form no part of the claimed design.

(51) **LOC (11) Cl.** ..... **26-05**

(52) **U.S. Cl.**  
USPC ..... **D26/74**

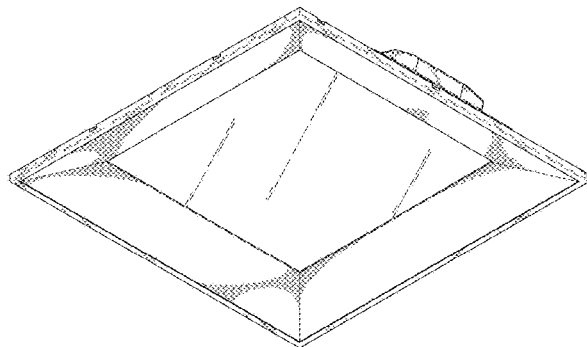
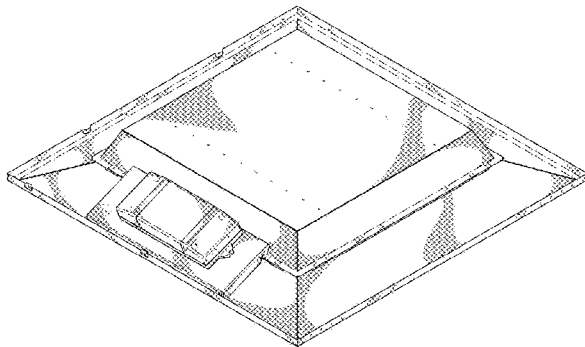
(58) **Field of Classification Search**  
USPC ..... D26/74, 72, 75, 76, 77, 78, 85, 88, 89,  
D26/118, 138, 141; 362/364, 365, 373,  
(Continued)

(56) **References Cited**

U.S. PATENT DOCUMENTS

D85,382 S 10/1931 Guth ..... D26/24  
2,356,654 A 8/1944 Cullman ..... 200/84 C  
(Continued)

**1 Claim, 6 Drawing Sheets**



**Related U.S. Application Data**

which is a continuation-in-part of application No. 14/170,627, filed on Feb. 2, 2014.

(58) **Field of Classification Search**

USPC .... 362/145, 146, 147, 148, 150, 153, 153.1,  
362/294, 296.01, 296.07, 296.08  
CPC ..... F21V 29/2262; F21V 7/06; F21V 21/044;  
F21V 21/047; F21V 29/2212; F21V  
29/2225; F21V 29/2256; F21V 29/225;  
F21V 29/2268; F21Y 2111/002; F21S  
8/02; F21S 8/026

See application file for complete search history.

(56) **References Cited**

U.S. PATENT DOCUMENTS

3,381,124	A	4/1968	Eisenberg	362/354
3,743,826	A	7/1973	Halfaker	
4,939,627	A	7/1990	Herst et al.	362/299
5,025,356	A	6/1991	Gawad	362/221
5,526,190	A	6/1996	Hubble, III	347/102
5,823,663	A	10/1998	Bell et al.	362/362
D407,473	S	3/1999	Wimbock	D23/328
6,079,851	A	6/2000	Altman	
6,102,550	A	8/2000	Edwards, Jr.	
6,149,283	A	11/2000	Conway et al.	362/236
6,155,699	A	12/2000	Miller et al.	362/293
6,210,025	B1	4/2001	Schmidt et al.	362/362
6,234,643	B1	5/2001	Lichon, Jr.	362/147
6,402,347	B1	6/2002	Maas et al.	362/294
6,523,974	B2	2/2003	Engel	362/224
6,578,979	B2	6/2003	Truttmann-Battig	362/92
6,598,998	B2	7/2003	West	257/E33.073
D496,121	S	9/2004	Santoro	D26/74
6,871,983	B2	3/2005	Jacob et al.	362/364
6,948,838	B2	9/2005	Kunstler	362/237
6,951,415	B2	10/2005	Amano	362/297
7,021,797	B2	4/2006	Minano et al.	362/355
7,049,761	B2	5/2006	Timmermans et al.	315/246
7,063,449	B2	6/2006	Ward	345/102
7,111,969	B2	9/2006	Bottesch	362/299
7,175,296	B2	2/2007	Cok	362/147
7,213,940	B1	5/2007	Van De Ven et al.	362/231
7,217,004	B2	5/2007	Park	362/240
7,237,924	B2	7/2007	Martineau et al.	362/231
D556,358	S	11/2007	Santoro	D26/74
7,338,182	B1	3/2008	Hastings et al.	362/150
7,341,358	B2	3/2008	Hsieh	362/97.1
7,510,299	B2	3/2009	Timmermans et al.	362/225
7,520,636	B2	4/2009	Van Der Poel	362/290
D593,246	S	5/2009	Fowler et al.	D26/76
7,559,672	B1	7/2009	Parkyn et al.	362/244
7,594,736	B1	9/2009	Kassay et al.	362/225
D604,446	S	11/2009	Fowler et al.	D26/76
7,618,157	B1	11/2009	Galvez et al.	362/294
7,618,160	B2	11/2009	Chinniah et al.	362/326
D608,932	S	1/2010	Castelli	D26/76
7,654,688	B2	2/2010	Li	
7,654,702	B1	2/2010	Ding et al.	
7,661,844	B2	2/2010	Sekiguchi et al.	362/249.02
D611,183	S	3/2010	Duarte	D26/76
7,674,005	B2	3/2010	Chung et al.	362/223
7,686,470	B2	3/2010	Chiang	362/147
7,686,484	B2	3/2010	Heiking et al.	362/375
7,712,918	B2	5/2010	Siemiet et al.	362/241
7,722,220	B2	5/2010	Van De Ven	362/294
7,722,227	B2	5/2010	Zhang et al.	362/364
D617,487	S	6/2010	Fowler et al.	D26/76
7,768,192	B2	8/2010	Van De Ven et al.	313/503
7,815,338	B2	10/2010	Siemiet et al.	362/218
7,824,056	B2	11/2010	Madireddi et al.	362/125
7,828,468	B2	11/2010	Mayfield et al.	362/342
D632,007	S *	2/2011	Kim	D26/120
D633,247	S	2/2011	Kong et al.	D26/88
7,922,354	B2	4/2011	Everhart	362/235

7,926,982	B2	4/2011	Liu	362/294
7,959,332	B2	6/2011	Tickner	
7,988,321	B2	8/2011	Wung et al.	362/218
7,988,335	B2	8/2011	Liu et al.	362/294
7,991,257	B1	8/2011	Coleman	264/1.24
7,993,034	B2	8/2011	Wegner	362/296.05
8,038,314	B2	10/2011	Ladewig	
8,038,321	B1	10/2011	Franck et al.	362/249.02
8,058,659	B2	11/2011	Bisberg	
8,070,326	B2	12/2011	Lee	362/307
D653,376	S	1/2012	Kong et al.	D26/76
8,092,043	B2	1/2012	Lin et al.	362/249.02
8,092,049	B2	1/2012	Kinnune et al.	362/294
8,096,671	B1	1/2012	Cronk	362/147
D657,488	S	4/2012	Lown et al.	D26/120
8,162,504	B2	4/2012	Zhang et al.	362/217
8,186,855	B2	5/2012	Wassel et al.	362/373
8,197,086	B2	6/2012	Watanabe et al.	362/218
8,201,968	B2	6/2012	Maxik et al.	
D663,881	S *	7/2012	Janssen	D26/74
8,215,799	B2	7/2012	Vanden Eynden et al.	362/294
8,246,219	B2	8/2012	Teng	362/217.02
8,256,927	B2	9/2012	Hu	362/218
8,287,160	B2	10/2012	Shen	
D670,849	S	11/2012	Lay et al.	D26/74
8,317,354	B2	11/2012	Gassner et al.	362/147
D677,418	S *	3/2013	Wilson	D26/74
D677,821	S *	3/2013	Jeon	D26/74
D679,848	S	4/2013	Pickard et al.	D26/74
D679,849	S *	4/2013	Ham	D26/74
8,410,514	B2	4/2013	Kim	257/99
D684,291	S	6/2013	Goelz et al.	D26/74
D690,868	S *	10/2013	Mayfield, III	D26/74
8,556,452	B2	10/2013	Simon	362/217.07
D693,952	S *	11/2013	Soni	D26/74
8,591,058	B2	11/2013	Concepcion	362/231
8,591,071	B2	11/2013	Hochstein	362/294
8,602,601	B2	12/2013	Khazi	
8,616,723	B2	12/2013	Zhang	362/218
D698,969	S *	2/2014	Johns	D26/74
D698,974	S *	2/2014	Anisierowicz	D26/74
D698,975	S	2/2014	Blessitt et al.	D26/74
8,641,243	B1	2/2014	Rashidi	362/373
D701,988	S	4/2014	Clements	D26/74
D702,393	S *	4/2014	Anisierowicz	D26/89
D702,868	S *	4/2014	Patel	D26/74
8,696,154	B2	4/2014	Hutchens	362/217.05
8,702,264	B1	4/2014	Rashidi	362/147
8,764,244	B2	7/2014	Jeon	362/218
D714,988	S	10/2014	Park et al.	D26/74
D721,198	S	1/2015	Glasbrenner	D26/76
9,010,956	B1	4/2015	Davis	
9,052,075	B2	6/2015	Demuyneck et al.	
2003/0063476	A1	4/2003	English et al.	
2004/0001344	A1	1/2004	Hecht	362/555
2004/0085779	A1	5/2004	Pond et al.	362/516
2004/0100796	A1	5/2004	Ward	
2004/0240230	A1	12/2004	Kitajima	362/558
2005/0180135	A1	8/2005	Mayer	362/240
2005/0264716	A1	12/2005	Kim et al.	
2005/0281023	A1	12/2005	Gould	362/217
2006/0221611	A1	10/2006	Noh et al.	362/247
2006/0262521	A1	11/2006	Pieprgras et al.	362/149
2006/0291206	A1	12/2006	Angelini et al.	362/244
2007/0070625	A1	3/2007	Bang	362/240
2007/0109779	A1	5/2007	Sekiguchi et al.	
2007/0115670	A1	5/2007	Roberts et al.	
2007/0115671	A1	5/2007	Roberts et al.	
2007/0211457	A1	9/2007	Mayfield et al.	362/223
2007/0253205	A1	11/2007	Welker	362/373
2007/0297181	A1	12/2007	Mayfield et al.	362/342
2008/0019147	A1	1/2008	Erchak	362/607
2008/0037284	A1	2/2008	Rudisill	362/629
2008/0049422	A1	2/2008	Trenchard et al.	362/238
2008/0232093	A1	9/2008	Kim	362/147
2008/0278943	A1	11/2008	Van Der Poel	362/240
2009/0034247	A1	2/2009	Boyer	362/225
2009/0073693	A1	3/2009	Nall	362/249.02
2009/0161356	A1	6/2009	Negley et al.	362/231

(56)

## References Cited

## U.S. PATENT DOCUMENTS

2009/0168439	A1	7/2009	Chiang	362/404
2009/0196024	A1	8/2009	Heiking et al.	362/150
2009/0225543	A1	9/2009	Jacobson et al.	
2009/0237958	A1	9/2009	Kim	
2009/0262543	A1	10/2009	Ho	362/373
2009/0296388	A1	12/2009	Wu et al.	362/235
2009/0310354	A1	12/2009	Zampini et al.	362/235
2009/0323334	A1	12/2009	Roberts et al.	
2010/0061108	A1	3/2010	Zhang et al.	362/364
2010/0097794	A1	4/2010	Teng et al.	362/231
2010/0103678	A1	4/2010	Van de Ven et al.	362/294
2010/0110679	A1	5/2010	Teng et al.	
2010/0172133	A1	7/2010	Liu	362/235
2010/0177532	A1	7/2010	Simon et al.	362/555
2010/0188609	A1	7/2010	Matsuki et al.	
2010/0253591	A1	10/2010	Hwu et al.	345/1.3
2010/0254128	A1	10/2010	Pickard et al.	362/231
2010/0254145	A1	10/2010	Yamaguchi	
2010/0254146	A1	10/2010	McCanless	
2010/0270903	A1	10/2010	Jao et al.	313/46
2010/0271843	A1	10/2010	Holten et al.	362/609
2010/0277905	A1	11/2010	Janik et al.	362/235
2010/0277934	A1	11/2010	Oquendo, Jr.	362/433
2010/0295468	A1	11/2010	Pedersen et al.	315/294
2010/0302778	A1	12/2010	Dabiet	
2010/0327768	A1	12/2010	Kong et al.	315/294
2011/0032714	A1	2/2011	Chang	362/373
2011/0043132	A1	2/2011	Kim et al.	362/235
2011/0141722	A1	6/2011	Acampora et al.	362/218
2011/0141734	A1	6/2011	Li	362/235
2011/0156584	A1	6/2011	Kim	315/32
2011/0164417	A1	7/2011	Huang	362/235
2011/0175533	A1	7/2011	Homan	315/130
2011/0199005	A1	8/2011	Bretschneider et al.	
2011/0199769	A1	8/2011	Bretschneider et al.	
2011/0246146	A1	10/2011	Kauffman et al.	703/2
2011/0255292	A1	10/2011	Shen	362/311
2011/0267810	A1	11/2011	Higman et al.	362/218
2011/0267823	A1	11/2011	Angelini et al.	362/277
2011/0286225	A1	11/2011	Konishi	
2011/0305024	A1	12/2011	Chang	362/294
2012/0033420	A1	2/2012	Kim et al.	362/235
2012/0038289	A1	2/2012	Jee et al.	315/291
2012/0051041	A1	3/2012	Edmond et al.	362/231
2012/0120658	A1	5/2012	Wilk	
2012/0127714	A1	5/2012	Rehn	
2012/0134146	A1	5/2012	Smith	362/225
2012/0140442	A1	6/2012	Woo	362/95
2012/0140461	A1	6/2012	Pickard	
2012/0206926	A9	8/2012	Chou	
2013/0235568	A1	9/2013	Green et al.	362/218
2013/0242550	A1	9/2013	Suen	
2013/0258652	A1	10/2013	Hsieh	362/225
2014/0265930	A1	9/2014	Harris	315/307
2015/0016100	A1	1/2015	Ishii	362/223
2015/0159852	A1*	6/2015	Dahlen	F21V 29/503 362/249.02

## FOREIGN PATENT DOCUMENTS

CN	1963289	A	5/2007
CN	101188261		5/2008
CN	101660715		3/2010
CN	101776254		7/2010
CN	101776254	A	7/2010
CN	101790660		7/2010
CN	101790660	A	7/2010
CN	102072443		5/2011
CN	202580962		12/2012
DE	102007030186		1/2009
DE	202010001832		7/2010
EP	1298383	A2	2/2003
EP	1298383		4/2003
EP	1357335	A2	10/2003

EP	1737051		12/2006
EP	1847762		10/2007
EP	1847762	A2	10/2007
EP	1860467		11/2007
EP	2287520	A2	2/2011
EP	2290690	A2	3/2011
EP	2636945	A2	11/2013
ER	1653254		3/2006
GB	774198		5/1957
JP	1069809		10/1998
JP	2002344027		11/2002
JP	U3097327		8/2003
JP	2004140324		5/2004
JP	2004345615		12/2004
JP	2004345615	A	12/2004
JP	2006173624		6/2006
JP	2008147044		6/2008
JP	3151501	U	3/2009
JP	2009295577		12/2009
JP	2010103687		5/2010
JP	2011018571		8/2011
JP	2011018572		8/2011
JP	2006173624		6/2016
TW	200524186		7/2005
TW	200524186	A	7/2005
TW	200914759	A	4/2009
TW	201018826		5/2010
TW	201018826	A	5/2010
WO	WO 03102467		11/2003
WO	WO 2009030233		3/2009
WO	WO 2009140761	A1	11/2009
WO	WO 2009157999		12/2009
WO	WO 2009157999	A	12/2009
WO	WO 2009157999	A1	12/2009
WO	WO 2010024583		3/2010
WO	WO 2010024583	A2	3/2010
WO	WO 2010042216		4/2010
WO	WO 2010042216	A2	4/2010
WO	WO2011074424	A1	6/2011
WO	WO 2011096098	A1	8/2011
WO	WO 2011098191		8/2011
WO	WO 2011118991	A2	9/2011
WO	WO 2011140353	A2	11/2011
WO	WO 03102467		12/2013

## OTHER PUBLICATIONS

Office Action from U.S. Appl. No. 14/716,480, dated Sep. 24, 2015.  
Office Action from U.S. Appl. No. 14/170,627, dated Oct. 5, 2015.  
Office Action from U.S. Appl. No. 13/368,217, dated Oct. 8, 2015.  
Office Action from U.S. Appl. No. 13/464,745, dated Oct. 8, 2015.  
Office Action from U.S. Appl. No. 29/466,391, dated Oct. 14, 2015.  
Examination Report from Taiwanese Patent Appl. No. 100131021, dated Jan. 5, 2016.  
Examination from European Patent Appl. No. 12743003.1-1757, dated Jan. 8, 2016.  
Notice of Reasons for Rejection from Japanese Patent Appl. No. 2013-543207, dated Feb. 2, 2016.  
Examination from European Patent Appl. No. 13 701 525.1-1757, dated Feb. 3, 2016.  
Office Action from U.S. Appl. No. 13/189,535; dated Jan. 6, 2016.  
Office Action from U.S. Appl. No. 13/341,741; dated Jan. 8, 2016.  
Office Action from U.S. Appl. No. 13/873,303; dated Feb. 2, 2016.  
Office Action from U.S. Appl. No. 13/464,745, filed Mar. 1, 2016.  
Office Action from U.S. Appl. No. 14/716,480, filed Mar. 3, 2016.  
Office Action from U.S. Appl. No. 13/368,217, filed Mar. 4, 2016.  
Office Action from U.S. Appl. No. 13/189,535, filed Mar. 18, 2016.  
Office Action from U.S. Appl. No. 14/020,757, filed Apr. 7, 2016.  
Office Action from U.S. Appl. No. 29/466,391, filed May 10, 2016.  
Office Action for U.S. Appl. No. 14/020,757; dated Jul. 19, 2016.  
Examination Report from Taiwan Application No. 100131021; dated Jul. 21, 2016.  
Office Action for U.S. Appl. No. 14/716,480; dated Aug. 26, 2016.  
European Summons for Oral Proceedings for Application No. 12743003.1; dated Sep. 2, 2016.  
Office Action for U.S. Appl. No. 13/464,745; dated Sep. 7, 2016.

(56)

**References Cited**

## OTHER PUBLICATIONS

Notice of Completion of Pretrial Re-examination from Japanese Patent appl. No. 2013-543207, dated Jun. 30, 2015.

Pretrial Report from Japanese Appl. No. 2013-543207, dated Jun. 19, 2015.

Decision of Rejection from Chinese Patent Appl. No. 201180052998.4, dated Jul. 16, 2015.

Office Action from U.S. Appl. No. 12/873,303, dated Jun. 22, 2015.

Response to OA from U.S. Appl. No. 12/873,303, dated Aug. 21, 2015.

Office Action from U.S. Appl. No. 13/341,741, dated Jun. 22, 2015.

Office Action from U.S. Appl. No. 13/443,630, dated Jun. 23, 2015.

Response to OA from U.S. Appl. No. 13/443,630, filed Aug. 21, 2015.

Office Action from U.S. Appl. No. 13/189,535, dated Jul. 14, 2015.

Office Action from U.S. Appl. No. 13/453,924, dated Jul. 21, 2015.

Office Action from U.S. Appl. No. 13/442,746, dated Jul. 27, 2015.

Office Action from U.S. Appl. No. 14/020,757, dated Aug. 3, 2015.

First Office Action from Chinese Patent Appl. No. 2012800369142, dated Mar. 26, 2015.

Office Action from U.S. Appl. No. 13/464,745, dated Apr. 2, 2015.

Office Action from U.S. Appl. No. 13/442,746, dated Apr. 28, 2015.

Office Action from U.S. Appl. No. 13/368,217, dated May 13, 2015.

Office Action from U.S. Appl. No. 13/828,348, dated May 27, 2015.

Office Action from Japanese Design Patent Application No. 2011-18570.

Reason for Rejection from Japanese Design Patent Application No. 2011-18571.

Reason for Rejection from Japanese Design Patent Application No. 2011-18572.

Cree LR24 Architectural LED troffer product information, 2 pages, available at [www.cree.com/lighting](http://www.cree.com/lighting).

International Search Report and Written Opinion for PCT Application No. PCT/US2011/062396, dated Jul. 13, 2012.

U.S. Appl. No. 12/873,303, filed Aug. 31, 2010, Edmond, et al.

U.S. Appl. No. 12/961,385, filed Dec. 6, 2010, Pickard, et al.

Cree's XLamp XP-E LED's, data sheet, pp. 1-17.

Cree's XLamp XP-G Led's, data sheet, pp. 1-12.

U.S. Appl. No. 12/418,796, filed Apr. 6, 2009, Pickard, et al.

U.S. Appl. No. 13/429,080, filed Mar. 23, 2012, Edmond, et al.

U.S. Appl. No. 13/028,946, filed Feb. 16, 2011, Le, et al.

U.S. Appl. No. 13/306,589, filed Nov. 29, 2011, Tarsa, et al.

International Search Report and Written Opinion for Patent Application No. PCT/US2011/001517, dated Feb. 27, 2012.

U.S. Appl. No. 13/649,052, filed Oct. 10, 2012, Lowes, et al.

U.S. Appl. No. 13/649,067, filed Oct. 10, 2012, Lowes, et al.

U.S. Appl. No. 13/207,204, filed Aug. 10, 2011, Athalye, et al.

U.S. Appl. No. 13/365,844.

U.S. Appl. No. 13/662,618, filed Oct. 29, 2012, Athalye, et al.

U.S. Appl. No. 13/462,388, filed May 2, 2012.

U.S. Appl. No. 13/842,150, filed Mar. 15, 2013, Dixon, et al.

U.S. Appl. No. 13/770,389, filed Feb. 19, 2013, Lowes, et al.

U.S. Appl. No. 13/782,820, filed Mar. 1, 2013, Dixon, et al.

XLamp®C family from Cree®, Inc., Product Family Data Sheet, 15 pages.

XLamp®M family from Cree®, Inc., Product Family Data Sheet, 14 pages.

XLamp®X family from Cree®, Inc., Product Family Data Sheet, 17 pages.

Energy Star® Program Requirements for Solid State Lighting

Luminaires, Eligibility Criteria—Version 1.1, final Dec. 19, 2008.

Assist Recommends . . . LED Life for General Lighting: Definition of Life. vol. 1. Issue 1, Feb. 2005.

"IES Approved Method for Measuring Lumen Maintenance of LED light Sources", Sep. 22, 2008, ISBN No. 978-0-87995-227-3. (LM-80).

International Search Report and Written Opinion from PCT Application No. PCT/US2013/021353, dated Apr. 17, 2013.

Search Report and Written Opinion from PCT Patent Appl. No. PCT/US2012/047084, dated Feb. 27, 2013.

Search Report and Written Opinion from PCT Patent Appl. No. PCT/US2012/071800, dated Mar. 25, 2013.

U.S. Appl. No. 12/074,762, filed Mar. 2008, Jacobson, et al.

U.S. Appl. No. 13/442,311, filed Apr. 2012, Lu, et al.

U.S. Appl. No. 13/763,270, filed Feb. 2010, Heeter, et al.

Citadel(tm) SLP Lighting (<http://www.slplighting.com/enclosures.html>).

Final Rejection issued in Korean Design Appl. No. 30-2011-0038114, dated Jun. 14, 2013.

Final Rejection issued in Korean Design Appl. No. 30-2011-0038115, dated Jun. 14, 2013.

Final Rejection issued in Korean Design Appl. No. 30-2011-0038116, dated Jun. 17, 2013.

International Search Report and Written Opinion from PCT Patent Appl. No. PCT/US2013/035668, dated Jul. 12, 2013.

Notice to Submit a Response from Korean Patent Application No. 30-2011-0038115, dated Dec. 12, 2012.

Notice to Submit a Response from Korean Patent Application No. 30-2011-0038116, dated Dec. 12, 2012.

International Search Report and Written Opinion from Appl. No. PCT/CN2013/072772, dated Dec. 19, 2013.

International Search Report and Written Opinion from PCT/US2013/049225, dated Oct. 24, 2013.

Office Action from U.S. Appl. No. 29/387,171, dated May 2, 2012.

Response to OA from U.S. Appl. No. 29/387,171, filed Aug. 2, 2012.

Office Action from U.S. Appl. No. 12/961,385, dated Apr. 26, 2013.

Response to OA from U.S. Appl. No. 12/961,385, filed Jul. 24, 2013.

Office Action from U.S. Appl. No. 13/464,745, dated Jul. 16, 2013.

Office Action from U.S. Appl. No. 29/368,970, dated Jun. 19, 2012.

Office Action from U.S. Appl. No. 29/368,970, dated Aug. 24, 2012.

Response to OA from U.S. Appl. No. 29/368,970, filed Nov. 26, 2012.

Office Action from U.S. Appl. No. 12/961,385, dated Nov. 6, 2013.

U.S. Appl. No. 14/145,559, filed Dec. 31, 2013, Lui, et al.

U.S. Appl. No. 12/463,709, filed May 11, 2009, Donofrio, et al.

U.S. Appl. No. 11/656,759, filed Jan. 22, 2007, Chitnis, et al.

U.S. Appl. No. 11/899,790, filed Sep. 7, 2007, Chitnis, et al.

U.S. Appl. No. 12/566,195, filed Sep. 24, 2009, Van de Ven, et al.

U.S. Appl. No. 12/704,730, filed Feb. 12, 2010, Van de Ven, et al.

U.S. Appl. No. 14/145,355, filed Dec. 31, 2013, Van de Ven, et al.

U.S. Appl. No. 13/828,348, filed Mar. 14, 2013, Edmond, et al.

U.S. Appl. No. 13/345,215, filed Jan. 6, 2012, Lu, et al.

White9™ film Technical Data Sheet from WhiteOptics, LLC of New Castel.

Office Action from U.S. Appl. No. 13/787,727, dated Jan. 29, 2015.

Office Action from U.S. Appl. No. 13/429,080, dated Feb. 18, 2015.

Office Action from U.S. Appl. No. 13/453,924, dated Mar. 10, 2015.

First Official Action from European Patent Appl. No. 12 743 003.1-1757, dated Jan. 16, 2015.

Second Office Action and Search Report from Chinese Appl. No. 2011800529984, dated Dec. 26, 2014.

Grant Notice from European Appl. No. 13701525.1, dated Nov. 19, 2014.

International Report and Written Opinion from PCT/US2013/049225, dated Jan. 22, 2015.

Office Action from U.S. Appl. No. 13/828,348, dated Nov. 20, 2014.

Office Action from U.S. Appl. No. 12/873,303, dated Nov. 28, 2014.

Office Action from U.S. Appl. No. 13/464,745, dated Dec. 10, 2014.

Office Action from U.S. Appl. No. 13/341,741, dated Dec. 24, 2014.

Office Action from U.S. Appl. No. 13/189,535, dated Jan. 13, 2015.

Decision of Rejection from Japanese Appl. No. 2013-543207, dated Nov. 25, 2014.

Office Action from Mexican Appl. No. 100881, dated Nov. 28, 2014.

Grant Notice from European Appl. No. 13701525.1-1757, dated Nov. 24, 2014.

Preliminary Report on Patentability from PCT/US2013/035668, dated Oct. 14, 2014.

Office Action from U.S. Appl. No. 13/442,746, dated Sep. 15, 2014.

Office Action from U.S. Appl. No. 13/429,080, dated Sep. 16, 2014.

Office Action from U.S. Appl. No. 13/844,431, dated Oct. 10, 2014.

(56)

**References Cited**

## OTHER PUBLICATIONS

Office Action from U.S. Appl. No. 13/443,630, dated Oct. 10, 2014.  
Office Action from U.S. Appl. No. 13/368,217, dated Oct. 22, 2014.  
Office Action from U.S. Appl. No. 12/961,385, dated Nov. 6, 2014.  
Office Action from U.S. Appl. No. 13/453,924, dated Nov. 7, 2014.  
Office Action from U.S. Appl. No. 13/464,745, dated Jul. 16, 2014.  
Communication from European Patent Appl. No. 13701525.1-1757, dated Sep. 26, 2014.

International Preliminary Report on Patentability and Written Opinion from PCT/US2013/021053, dated Aug. 21, 2014.

International Preliminary Report on Patentability from PCT/US2012/071800 dated Jul. 10, 2014.

Office Action from U.S. Appl. No. 13/189,535, dated Jun. 20, 2014.

Office Action from U.S. Appl. No. 13/453,924, dated Jun. 25, 2014.

Office Action from U.S. Appl. No. 13/443,630, dated Jul. 1, 2014.

Reasons for Rejection from Japanese Patent Appl. No. 2013-543207, dated May 20, 2014.

First Office Action from Chinese Patent Appl. No. 2011800529984, dated May 4, 2014.

Office Action from U.S. Appl. No. 13/544,662, dated May 5, 2014.

Office Action from U.S. Appl. No. 13/844,431, dated May 15, 2014.

Office Action from U.S. Appl. No. 13/341,741, dated Jun. 6, 2014.

Office Action from U.S. Appl. No. 13/429,080, dated Apr. 18, 2014.

Office Action from U.S. Appl. No. 12/961,385, dated Mar. 11, 2014.

Preliminary Report and Written Opinion from PCT Appl. No. PCT/US2012/047064, dated Feb. 6, 2014.

Office Action from U.S. Appl. No. 12/961,385, dated Nov. 27, 2015.

Office Action from U.S. Appl. No. 13/828,348, dated Nov. 4, 2015.

Office Action from U.S. Appl. No. 14/020,757, dated Nov. 24, 2014.

First Office Action from Chinese Patent Appl. No. 2011800588770, dated Sep. 25, 2015.

Office Action for Chinese Patent Application No. 2011800588770, dated Sep. 26, 2016.

Notification of Reexamination for Chinese Application No. 2011800529984; dated Oct. 10, 2016.

Office Action for U.S. Appl. No. 13/828,348; dated Oct. 17, 2016.  
Office Action for European Application No. 11754767.9; dated Oct. 31, 2016.

Office Action for U.S. Appl. No. 12/873,303; dated Nov. 25, 2016.  
Notice of Allowance for Taiwan Application No. 100131021; Dated Nov. 28, 2016.

Office Action for U.S. Appl. No. 13/368,217; dated Jan. 3, 2017.  
Office Action for U.S. Appl. No. 14/225,327; dated Mar. 14, 2017.  
European Notice of Allowance for Application No. 12743003.1; dated Mar. 17, 2017.

Office Action for U.S. Appl. No. 13/189,535; dated Mar. 23, 2017.  
Office Action for U.S. Appl. No. 13/464,745; dated Mar. 23, 2017.  
Foreign Office Action for Chinese Application No. 2011800529984; dated Apr. 5, 2017.

Office Action for U.S. Appl. No. 14/721,806; dated Apr. 21, 2017.

Office Action for U.S. Appl. No. 13/443,630; Dated May 18, 2017.

Office Action for U.S. Appl. No. 13/828,348; dated Jun. 2, 2016.

Notice of Reason for Rejection for Japanese Appl. No. 2013-543207; dated May 24, 2016.

Second Office Action for Application No. 2011800588770; dated Mar. 29, 2016.

Office Action from U.S. Appl. No. 13/464,745, dated Mar. 1, 2016.

Office Action from U.S. Appl. No. 14/716,480, dated Mar. 3, 2016.

Office Action from U.S. Appl. No. 13/368,217, dated Mar. 4, 2016.

Office Action from U.S. Appl. No. 13/169,535, dated Mar. 18, 2016.

Office Action from U.S. Appl. No. 14/020,757, dated Apr. 7, 2016.

Office Action from U.S. Appl. No. 29/466,391, dated May 10, 2016.

Office Action for U.S. Appl. No. 14/170,627, dated Jun. 16, 2017.

Office Action for U.S. Appl. No. 14/716,480, dated Jul. 5, 2017.

Office Action for U.S. Appl. No. 12/873,303, dated Aug. 9, 2017.

Office Action for U.S. Appl. No. 13/828,348, dated Sep. 1, 2017.

Office Acton for U.S. Appl. No. 14/225,327, dated Oct. 2, 2017.

Office Action for U.S. Appl. No. 13/189,535, dated Oct. 30, 2017.

Office Action for U.S. Appl. No. 14/721,806, dated Nov. 1, 2017.

\* cited by examiner

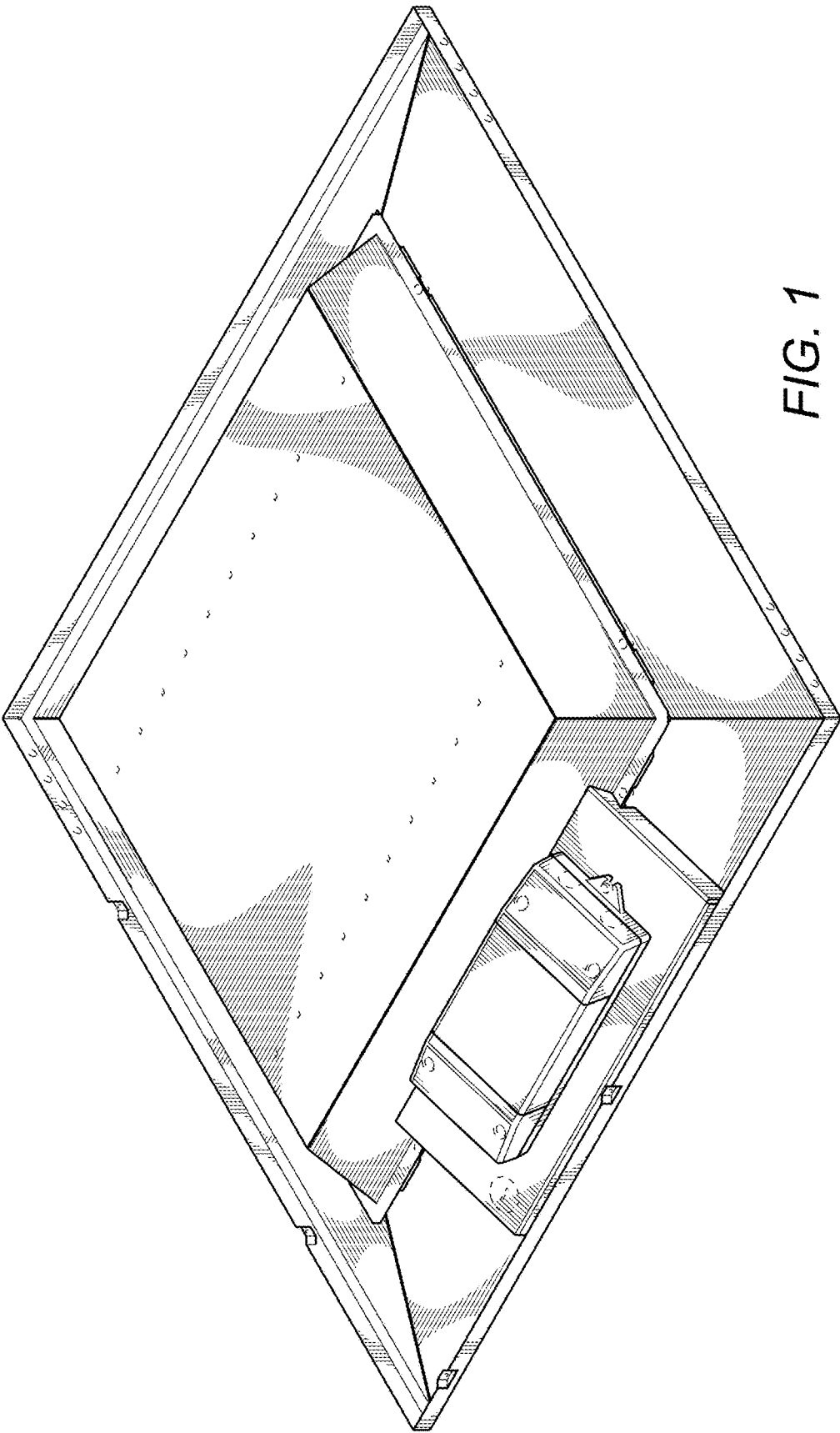


FIG. 1

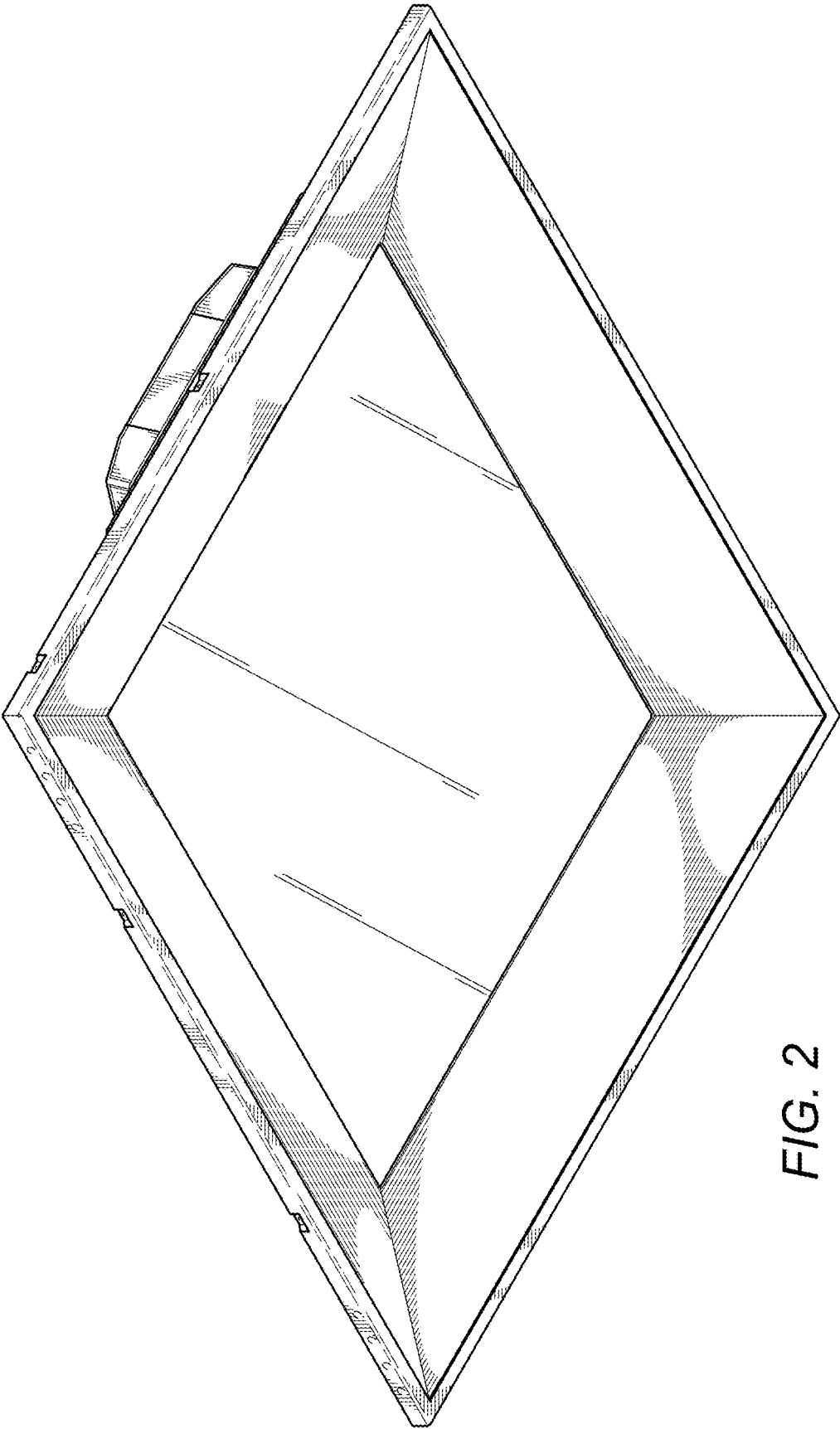


FIG. 2

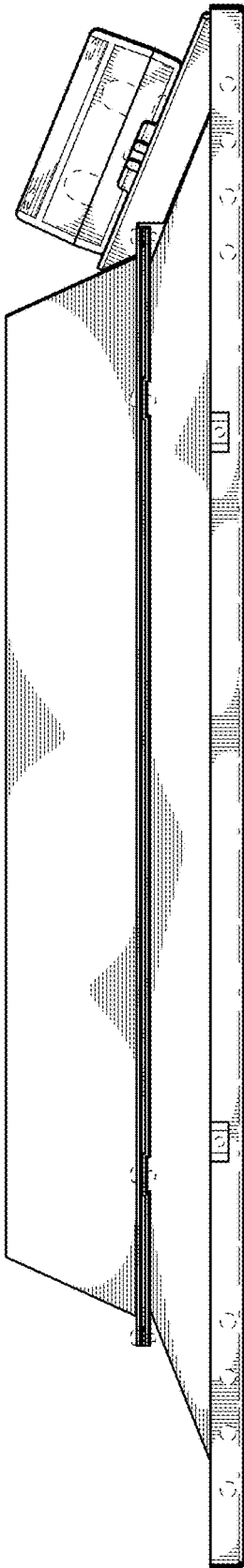


FIG. 3

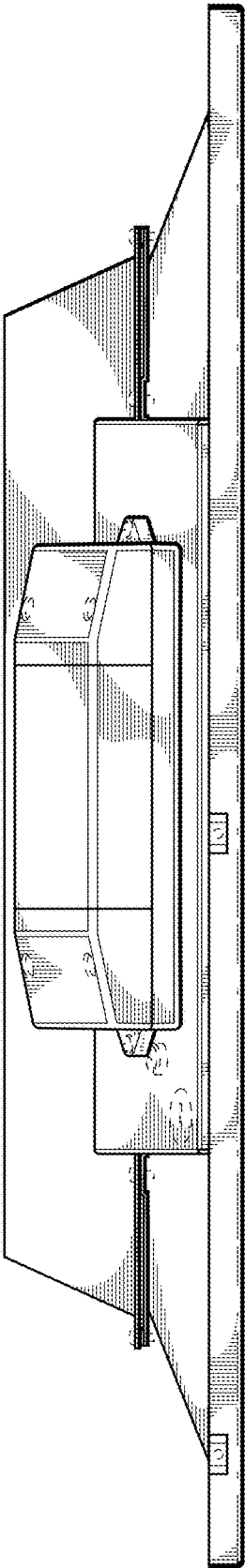


FIG. 4



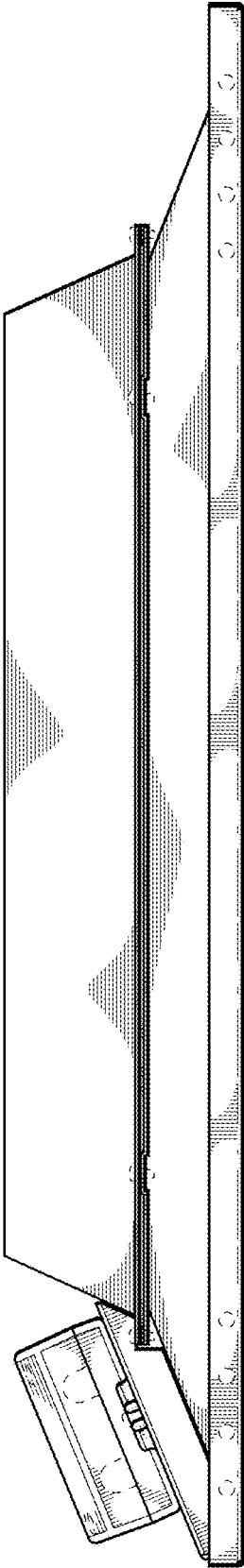


FIG. 5

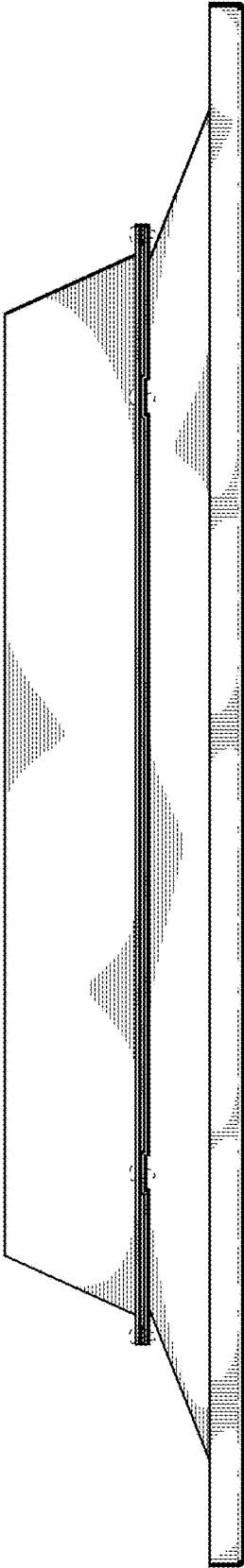


FIG. 6

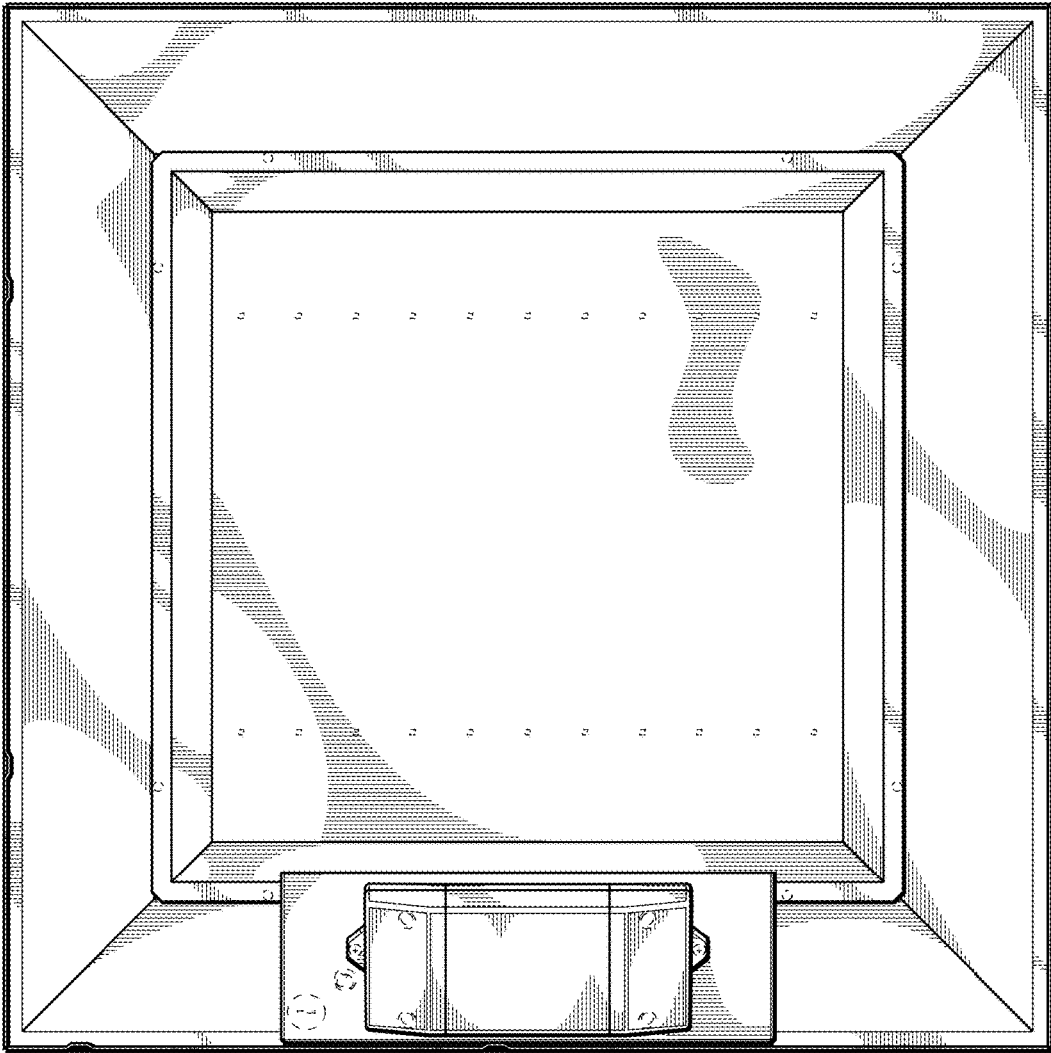


FIG. 7

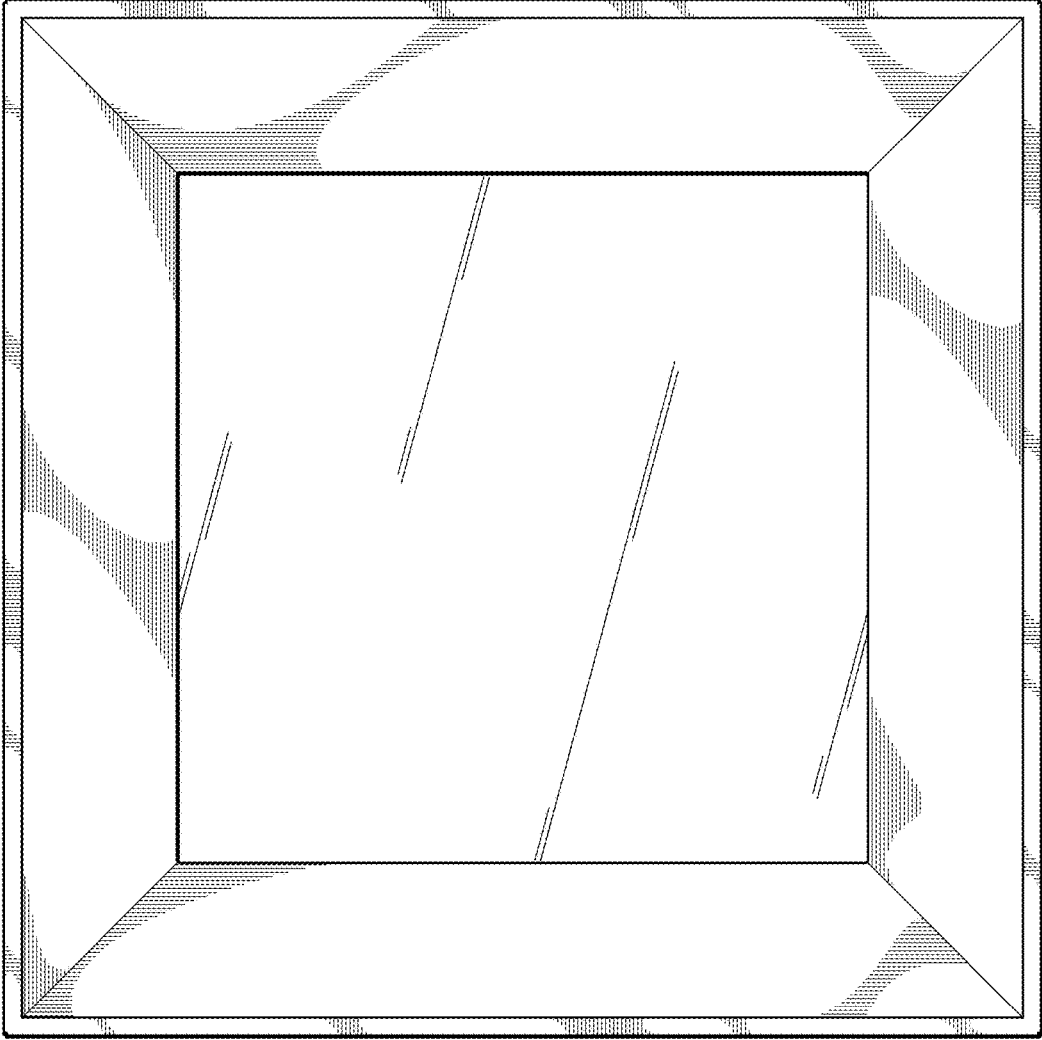


FIG. 8