

(19) World Intellectual Property Organization
International Bureau



(43) International Publication Date
8 November 2007 (08.11.2007)

PCT

(10) International Publication Number
WO 2007/126324 A3

(51) International Patent Classification:

A46B 11/00 (2006.01)

(21) International Application Number:

PCT/RO2007/000004

(22) International Filing Date: 18 April 2007 (18.04.2007)

(25) Filing Language: English

(26) Publication Language: English

(30) Priority Data:

a 2006 00269 18 April 2006 (18.04.2006) RO
a 2006 00586 24 July 2006 (24.07.2006) RO

(71) Applicant (for all designated States except US): **PRISMA MIRA S.R.L.** [—/RO]; Str. Motilor nr.59C, Alba Iulia, R-510134 Judet Alba (RO).

(72) Inventors; and

(75) Inventors/Applicants (for US only): **NEDELICU, Ion** [RO/RO]; Str. G. Baritiu nr. 11, bl.G2, ap.15, Alba Iulia, R-510072 Judet Alba (RO). **SÂRBU, Romulus, Iosif** [RO/RO]; Str. Uzinei nr.14, Petrosani, Jud. Hunedoara (RO).

(81) Designated States (unless otherwise indicated, for every kind of national protection available): AE, AG, AL, AM, AT, AU, AZ, BA, BB, BG, BH, BR, BW, BY, BZ, CA, CH, CN, CO, CR, CU, CZ, DE, DK, DM, DZ, EC, EE, EG, ES, FI, GB, GD, GE, GH, GM, GT, HN, HR, HU, ID, IL, IN, IS, JP, KE, KG, KM, KN, KP, KR, KZ, LA, LC, LK, LR,

LS, LT, LU, LY, MA, MD, ME, MG, MK, MN, MW, MX, MY, MZ, NA, NG, NI, NO, NZ, OM, PG, PH, PL, PT, RO, RS, RU, SC, SD, SE, SG, SK, SL, SM, SV, SY, TJ, TM, TN, TR, TT, TZ, UA, UG, US, UZ, VC, VN, ZA, ZM, ZW.

(84) Designated States (unless otherwise indicated, for every kind of regional protection available): ARIPO (BW, GH, GM, KE, LS, MW, MZ, NA, SD, SL, SZ, TZ, UG, ZM, ZW), Eurasian (AM, AZ, BY, KG, KZ, MD, RU, TJ, TM), European (AT, BE, BG, CH, CY, CZ, DE, DK, EE, ES, FI, FR, GB, GR, HU, IE, IS, IT, LT, LU, LV, MC, MT, NL, PL, PT, RO, SE, SI, SK, TR), OAPI (BF, BJ, CF, CG, CI, CM, GA, GN, GQ, GW, ML, MR, NE, SN, TD, TG).

Declarations under Rule 4.17:

- as to applicant's entitlement to apply for and be granted a patent (Rule 4.17(ii))
- as to the applicant's entitlement to claim the priority of the earlier application (Rule 4.17(iii))
- of inventorship (Rule 4.17(iv))

Published:

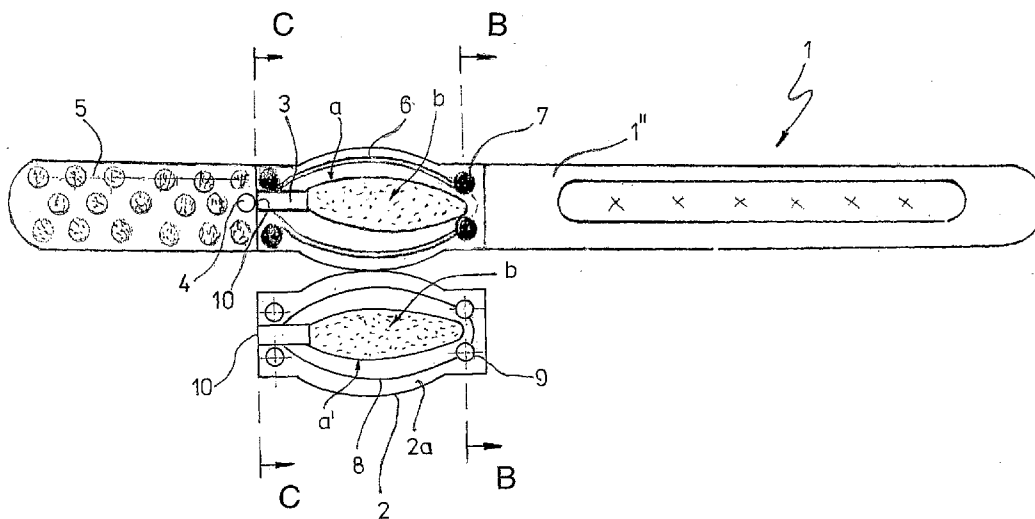
- with international search report
- before the expiration of the time limit for amending the claims and to be republished in the event of receipt of amendments

(88) Date of publication of the international search report:

31 January 2008

For two-letter codes and other abbreviations, refer to the "Guidance Notes on Codes and Abbreviations" appearing at the beginning of each regular issue of the PCT Gazette.

(54) Title: TOOTHBRUSH



(57) Abstract: The invention refers to a toothbrush for single use, provided with a tank for the toothpaste. The toothbrush consists of a body (1) provided with a head (1') and a handle (1'') connected by a central area (1'''), which has a tank filled with a cleaning medium (b) provided with profiled channels (3, 4) for it. The central area (1''') is provided with an elliptical cavity (a) that extends with the profiled channel (3). The cavity is tightly sealed with a lid (2) by using a sealing rib (8) that is restrained in a channel (6), and some fixing pins (9) that fit in some orifices (7), thus forming the tank of the toothbrush.

WO 2007/126324 A3

INTERNATIONAL SEARCH REPORT

International application No

PCT/RO2007/000004

A. CLASSIFICATION OF SUBJECT MATTER
INV. A46B11/00

According to International Patent Classification (IPC) or to both national classification and IPC

B. FIELDS SEARCHED

Minimum documentation searched (classification system followed by classification symbols)
A46B

Documentation searched other than minimum documentation to the extent that such documents are included in the fields searched

Electronic data base consulted during the international search (name of data base and, where practical, search terms used)

EPO-Internal

C. DOCUMENTS CONSIDERED TO BE RELEVANT

Category*	Citation of document, with indication, where appropriate, of the relevant passages	Relevant to claim No.
X	US 5 403 105 A (JAMESON KING D [US]) 4 April 1995 (1995-04-04) column 4 - column 5; figures	1,2,4,6
Y	-----	5
X	US 6 554 522 B1 (CONNELLY JASON [US] ET AL) 29 April 2003 (2003-04-29) column 2 - column 3; figures	11-14
Y	-----	5
A	US 6 397 859 B1 (BYRD SHELBY [US]) 4 June 2002 (2002-06-04) the whole document	11-14
Y	US 5 181 531 A (ESCOTO DARIO [US] ET AL) 26 January 1993 (1993-01-26) the whole document	7-10
	----- -/--	

Further documents are listed in the continuation of Box C.

See patent family annex.

* Special categories of cited documents :

"A" document defining the general state of the art which is not considered to be of particular relevance

"E" earlier document but published on or after the international filing date

"L" document which may throw doubts on priority claim(s) or which is cited to establish the publication date of another citation or other special reason (as specified)

"O" document referring to an oral disclosure, use, exhibition or other means

"P" document published prior to the international filing date but later than the priority date claimed

"T" later document published after the international filing date or priority date and not in conflict with the application but cited to understand the principle or theory underlying the invention

"X" document of particular relevance; the claimed invention cannot be considered novel or cannot be considered to involve an inventive step when the document is taken alone

"Y" document of particular relevance; the claimed invention cannot be considered to involve an inventive step when the document is combined with one or more other such documents, such combination being obvious to a person skilled in the art.

"&" document member of the same patent family

Date of the actual completion of the international search

4 December 2007

Date of mailing of the international search report

12/12/2007

Name and mailing address of the ISA/

European Patent Office, P.B. 5818 Patentlaan 2
NL - 2280 HV Rijswijk
Tel. (+31-70) 340-2040, Tx. 31 651 epo nl,
Fax: (+31-70) 340-3016

Authorized officer

Dinescu, Daniela

INTERNATIONAL SEARCH REPORT

International application No

PCT/R02007/000004

C(Continuation). DOCUMENTS CONSIDERED TO BE RELEVANT

Category*	Citation of document, with indication, where appropriate, of the relevant passages	Relevant to claim No.
Y	US 5 865 195 A (CARTER THERESA [US]) 2 February 1999 (1999-02-02) column 2 - column 4; figures -----	7-10
A	US 6 851 882 B1 (MALONEY RAY ANDREW [US]) 8 February 2005 (2005-02-08) the whole document -----	3

INTERNATIONAL SEARCH REPORT

Information on patent family members

International application No

PCT/R02007/000004

Patent document cited in search report		Publication date	Patent family member(s)	Publication date
US 5403105	A	04-04-1995	NONE	
US 6554522	B1	29-04-2003	NONE	
US 6397859	B1	04-06-2002	NONE	
US 5181531	A	26-01-1993	NONE	
US 5865195	A	02-02-1999	NONE	
US 6851882	B1	08-02-2005	NONE	