



(12) **United States Design Patent**  
Stech et al.

(10) **Patent No.:** US D929,539 S  
(45) **Date of Patent:** \*\* Aug. 31, 2021

- (54) **ELECTROSTATIC SPRAY GUN**
- (71) Applicant: **Graco Minnesota Inc.**, Minneapolis, MN (US)
- (72) Inventors: **Amelia J. Stech**, St. Paul, MN (US);  
**Elisa J. McCline**, Elk River, MN (US);  
**Mark E. Ulrich**, Oak Grove, MN (US);  
**Mark C. Richter**, River Falls, WI (US)
- (73) Assignee: **Graco Minnesota Inc.**, Minneapolis, MN (US)
- (\*\*) Term: **15 Years**
- (21) Appl. No.: **29/693,197**
- (22) Filed: **May 31, 2019**
- (51) **LOC (13) Cl.** ..... **23-01**
- (52) **U.S. Cl.**  
USPC ..... **D23/226**
- (58) **Field of Classification Search**  
USPC ..... D23/213, 214, 215, 223, 224, 226, 229, D23/230

(Continued)

(56) **References Cited**  
U.S. PATENT DOCUMENTS

- D313,064 S 12/1990 Lind et al.
- D350,387 S 9/1994 Feitel et al.

(Continued)

FOREIGN PATENT DOCUMENTS

- CN 3386125 8/2004
- CN 303427785 S 11/2015

(Continued)

OTHER PUBLICATIONS

<https://www.ebay.com/itm/NEW-GRACO-PRO-XP-85AA-AUTO-ELECTROSTATIC-SPRAY-GUN-/324069836086> (Year: 2020).\*

(Continued)

*Primary Examiner* — Jack Reickel  
*Assistant Examiner* — Keith J Wilson  
(74) *Attorney, Agent, or Firm* — Kinney & Lange, P.A.

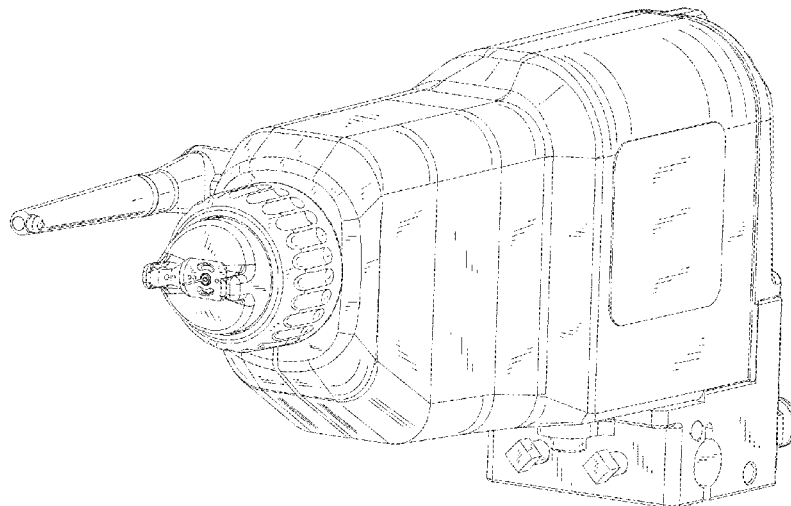
(57) **CLAIM**

The ornamental design for an electrostatic spray gun, as shown and described.

**DESCRIPTION**

FIG. 1 is a perspective view of a first embodiment of an electrostatic spray gun;  
 FIG. 2 is a front elevational view of the first embodiment of the electrostatic spray gun;  
 FIG. 3 is a rear elevational view of the first embodiment of the electrostatic spray gun;  
 FIG. 4 is a right side view of the first embodiment of the electrostatic spray gun;  
 FIG. 5 is a left side view of the first embodiment of the electrostatic spray gun;  
 FIG. 6 is a top plan view of the first embodiment of the electrostatic spray gun;  
 FIG. 7 is a bottom plan view of the first embodiment of the electrostatic spray gun;  
 FIG. 8 is a perspective view of a second embodiment of an electrostatic spray gun;  
 FIG. 9 is a front elevational view of the second embodiment of the electrostatic spray gun;  
 FIG. 10 is a rear elevational view of the second embodiment of the electrostatic spray gun;  
 FIG. 11 is a right side view of the second embodiment of the electrostatic spray gun;  
 FIG. 12 is a left side view of the second embodiment of the electrostatic spray gun;  
 FIG. 13 is a top plan view of the second embodiment of the electrostatic spray gun; and,  
 FIG. 14 is a bottom plan view of the second embodiment of the electrostatic spray gun.  
 The broken lines shown represent portions of an electrostatic spray gun and form no part of the claimed design.

**1 Claim, 14 Drawing Sheets**



(58) **Field of Classification Search**

CPC ..... A61H 9/0021; A61H 33/00; B05B 1/00;  
 B05B 1/14; B05B 1/185; B05B 1/08;  
 B05B 1/02; B05B 1/26; B05B 12/002;  
 B05B 1/18; B05B 9/01

See application file for complete search history.

FOREIGN PATENT DOCUMENTS

KR 300839627 S 2/2016  
 WO WO0025108 A1 5/2000

OTHER PUBLICATIONS

Join Ware Pneumatic Tool Automatic Air Paint Spray Gun With 1.2 mm Nozzle, Sep. 18, 2018. Amazon.com. May 19, 2021.URL: <https://www.amazon.com/Join-Ware-Pneumatic-Automatic-Assembly/dp/B07HG3X8G2> (Year: 2019).\*

Meiji A-100 Automatic Pneumatic High Atomization Spray PaintSpraying Gun, Jul. 29, 2016, Amazon.com May 19, 2021.URL: <https://www.amazon.com/Meiji-Automatic-Pneumatic-Atomization-Spraying/dp/B06XK8MJ6X> (Year: 2020).\*

First Examination Report for IN Application No. 324152-001, dated Dec. 16, 2019, pp. 2.

First Examination Report for IN Application No. 324154-001, dated Dec. 19, 2019, pp. 2.

First Examination Report for IN Application No. 324153-001, dated Dec. 18, 2019, pp. 2.

First Examination Report for IN Application No. 324155-001, dated Dec. 27, 2019, pp. 2.

First Brazilian Office Action for BR Application No. BR302019005850-2, dated Mar. 24, 2020, pp. 3.

First Japanese Office Action for JP Application No. 2019-026338, dated Mar. 18, 2020, pp. 3.

First Japanese Office Action for JP Application No. 2019-026340, dated Mar. 18, 2020, pp. 3.

First Japanese Office Action for JP Application No. 2019-026341, dated Mar. 18, 2020, pp. 3.

First Japanese Office Action for JP Application No. 2019-026345, dated Mar. 18, 2020, pp. 3.

[https://www.amazon.com/Graco-287926-Assisted-Paint-Spary/dp/B01JB560BW/ref=sr\\_1\\_151?dchild=1&keywords=graco+paint+spray+gun&qid=1586801533&sr=8-151](https://www.amazon.com/Graco-287926-Assisted-Paint-Spary/dp/B01JB560BW/ref=sr_1_151?dchild=1&keywords=graco+paint+spray+gun&qid=1586801533&sr=8-151) (Year:2020).

First Japanese Office Action for JP Application No. 2019-026341, dated Jul. 15, 2020, pp. 4.

First Japanese Office Action for JP Application No. 2019-026345, dated Jul. 15, 2020, pp. 4.

Second ROC (Taiwan) Patent Application No. 108307240, Dated Aug. 21, 2020, pp. 6.

First ROC (Taiwan) Office Action for TW Application No. 108307240, dated May 14, 2020, pp. 3.

ROC (Taiwan) Design Patent Application Search Report for TW Application No. 109304511, dated Mar. 25, 2021, p. 5.

ROC (Taiwan) Design Patent Application Search Report for TW Application No. 109304510, dated Mar. 25, 2021, p. 5.

ROC (Taiwan) Design Patent Application Search Report for TW Application No. 109304517, dated Mar. 25, 2021, p. 5.

(56) **References Cited**

U.S. PATENT DOCUMENTS

D405,503 S \* 2/1999 Endo ..... D23/226  
 D441,833 S 5/2001 Haas  
 D457,599 S \* 5/2002 Karwoski ..... D23/226  
 D495,400 S 8/2004 Hopper  
 D537,503 S 2/2007 Huang  
 D545,943 S \* 7/2007 Rodgers ..... D23/226  
 D575,374 S \* 8/2008 Huang ..... D23/226  
 D578,603 S \* 10/2008 Khaitov ..... D23/213  
 D588,231 S \* 3/2009 Pellin ..... D23/213  
 7,588,726 B1 9/2009 Mouradian et al.  
 D607,086 S \* 12/2009 Kosaka ..... D23/226  
 D608,858 S 1/2010 Baltz et al.  
 D672,012 S \* 12/2012 Brose ..... D23/226  
 D704,300 S \* 5/2014 Li ..... D23/225  
 D725,743 S \* 3/2015 Richter ..... D23/226  
 D727,466 S \* 4/2015 Richter ..... D23/226  
 D757,214 S \* 5/2016 Richter ..... D23/213  
 D757,216 S \* 5/2016 Gehrung ..... D23/225  
 9,433,953 B2 \* 9/2016 Ghesla ..... B05B 5/03  
 D770,593 S \* 11/2016 Gehrung ..... D23/226  
 D778,405 S \* 2/2017 Wang ..... D23/226  
 D794,755 S \* 8/2017 Wang ..... D23/226  
 D800,868 S \* 10/2017 Crenshaw ..... D23/226  
 D801,477 S \* 10/2017 Mazur ..... D23/226  
 D803,353 S \* 11/2017 Negri ..... D23/226  
 D812,718 S \* 3/2018 Kosaka ..... D23/226  
 D821,545 S \* 6/2018 Gehrung ..... D23/226  
 D830,506 S \* 10/2018 Gehrung ..... D23/223  
 D831,792 S \* 10/2018 Gehrung ..... D23/223  
 D835,235 S \* 12/2018 Gehrung ..... D23/226  
 D854,123 S \* 7/2019 Becker ..... D23/226  
 D858,698 S \* 9/2019 Arino ..... D23/213  
 D861,130 S \* 9/2019 Carls ..... D23/226  
 10,835,911 B2 \* 11/2020 Gehrung ..... B05B 12/002  
 10,843,211 B2 \* 11/2020 Becker ..... B05B 12/002  
 2002/0178789 A1 12/2002 Sunshine et al.  
 2012/0024042 A1 2/2012 Vass et al.  
 2015/0017327 A1 \* 1/2015 Myers ..... B05B 7/1209  
 427/207.1  
 2017/0131253 A1 5/2017 Gutierrez Martinez  
 2017/0231212 A1 \* 8/2017 Crenshaw ..... A01M 7/0046  
 239/11  
 2017/0248514 A1 8/2017 Pavey et al.  
 2019/0299233 A1 \* 10/2019 Johnston ..... B05B 12/002

\* cited by examiner

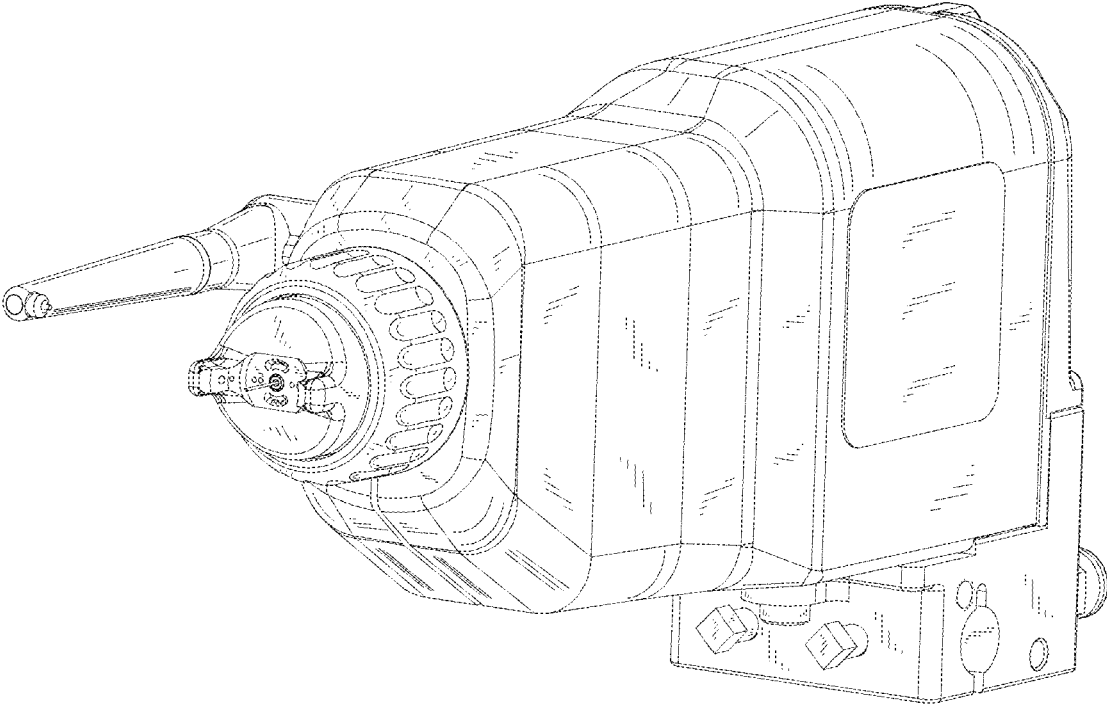


Fig. 1

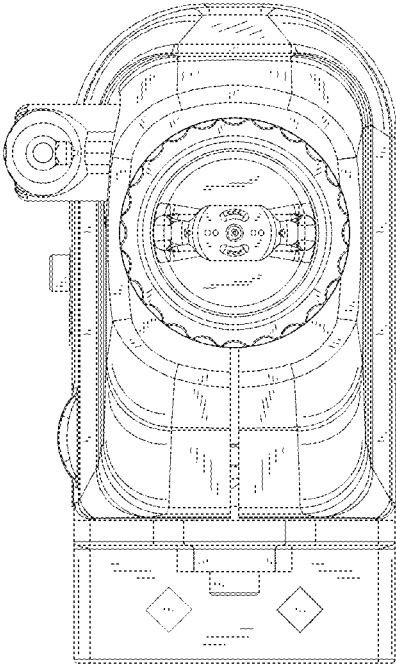


Fig. 2

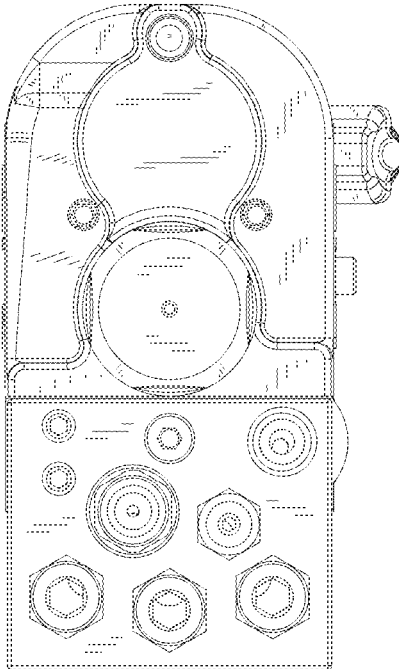


Fig. 3

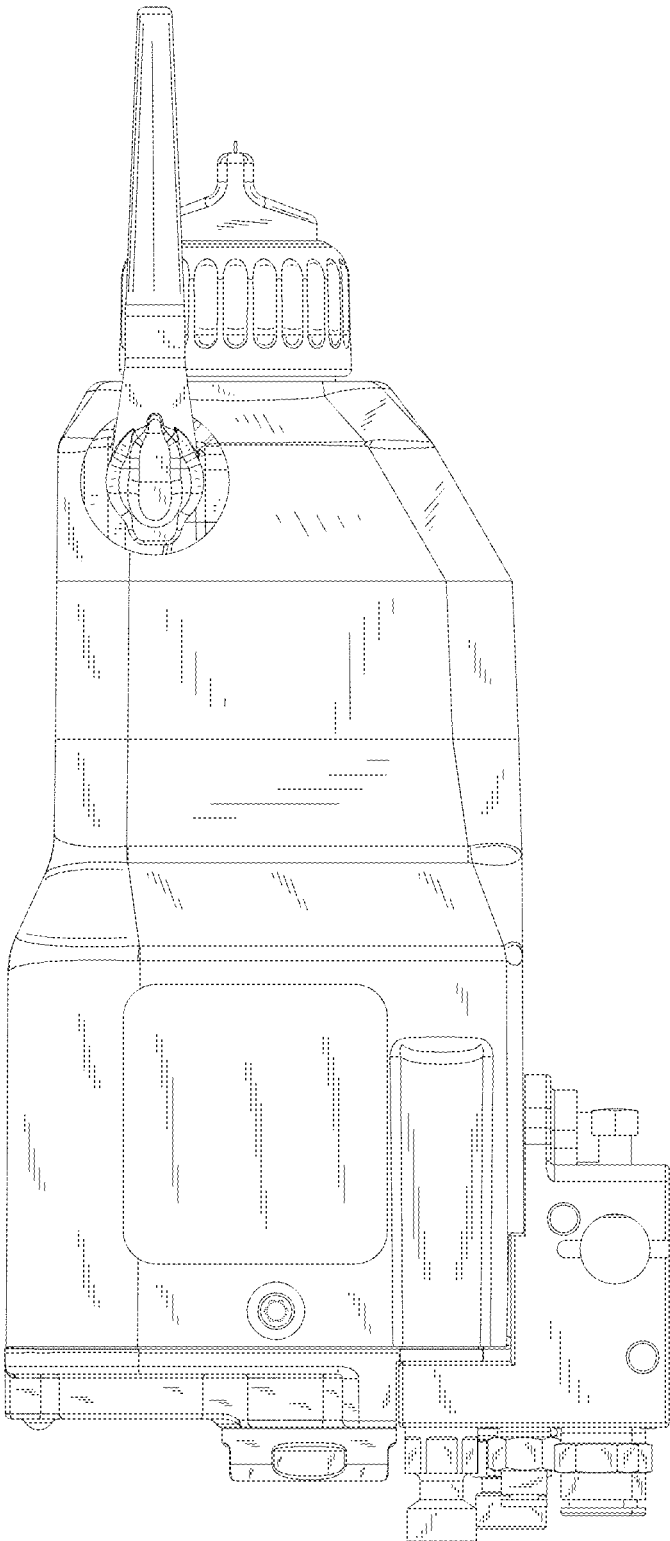


Fig. 4

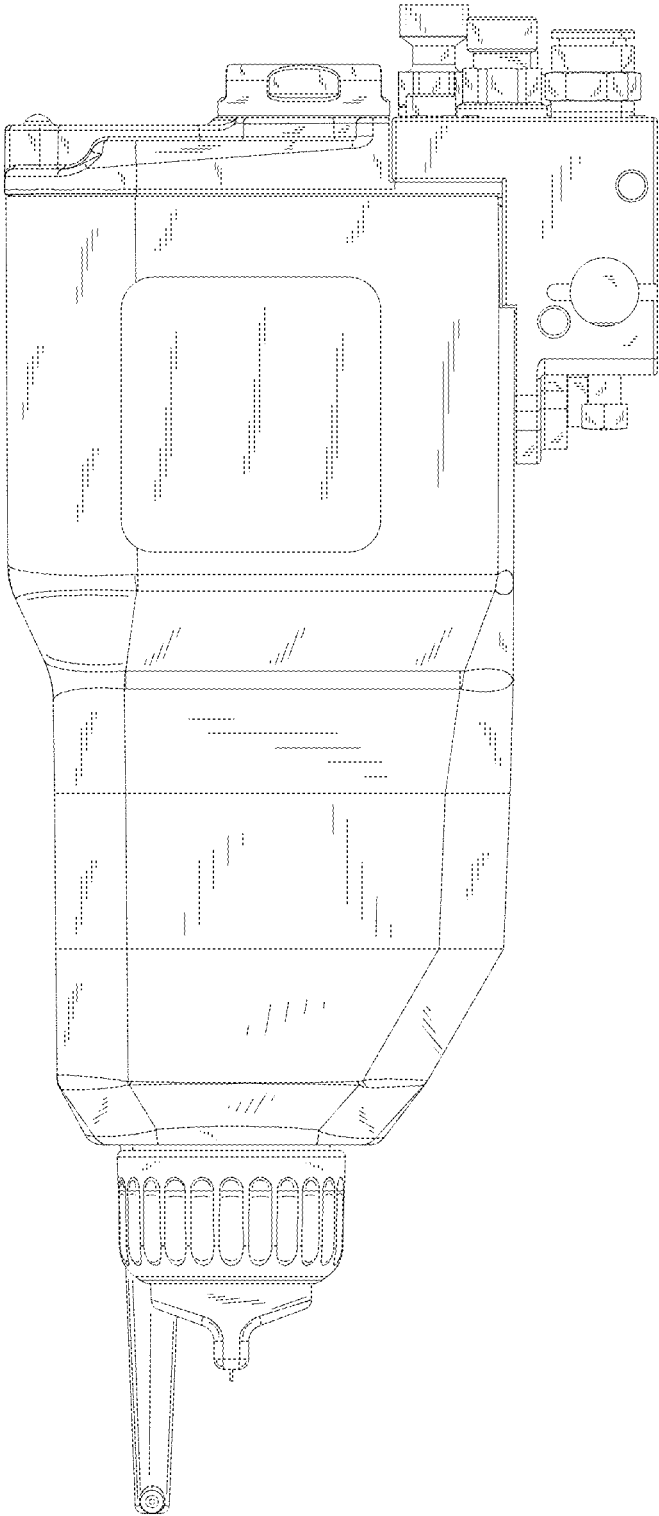


Fig. 5

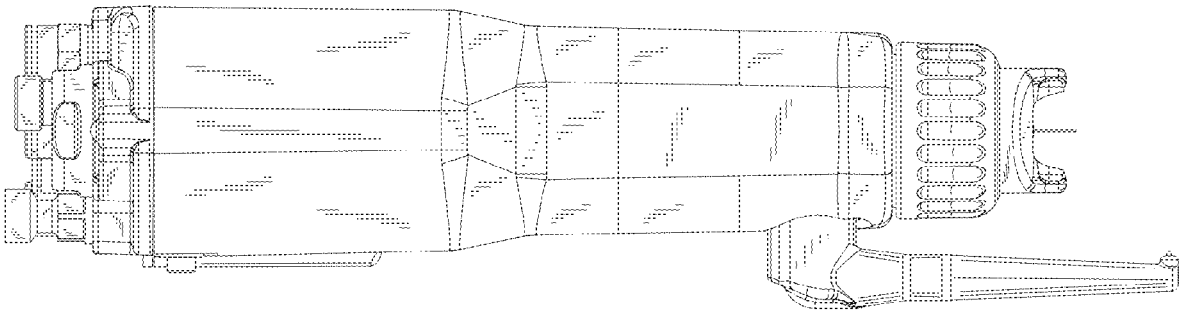


Fig. 6



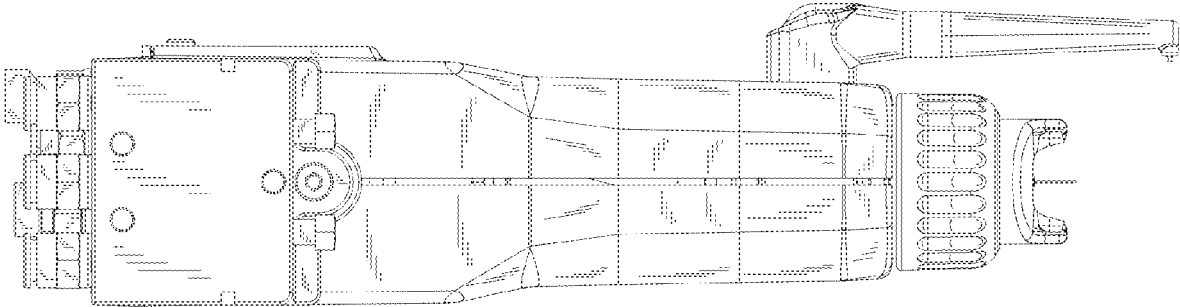


Fig. 7

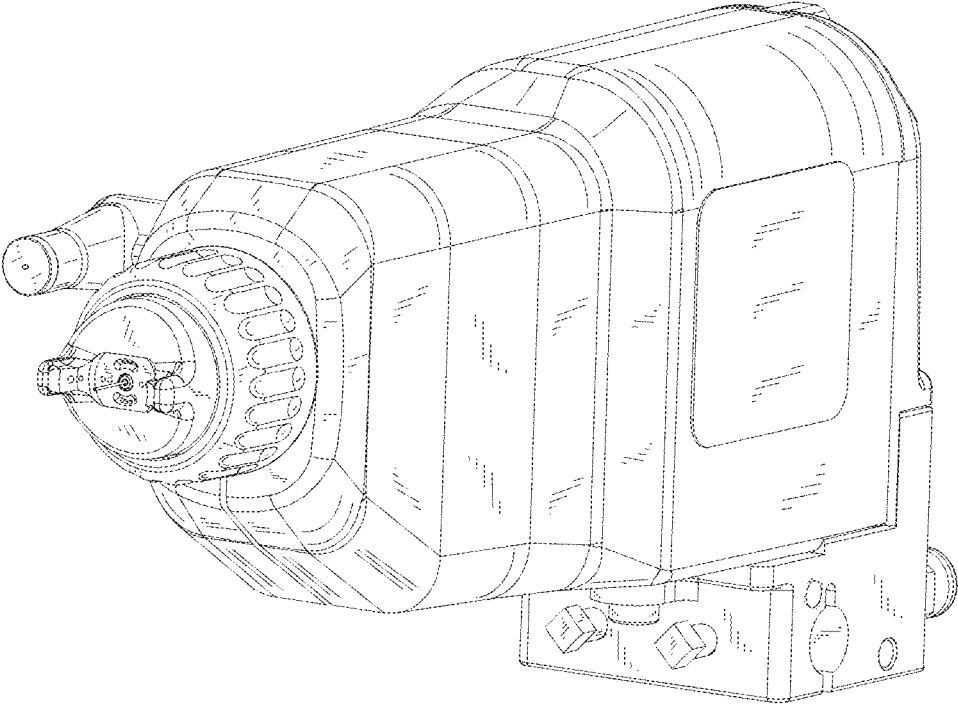


Fig. 8

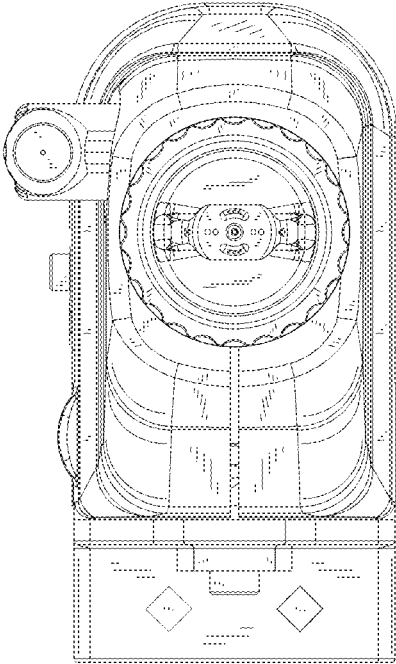


Fig. 9

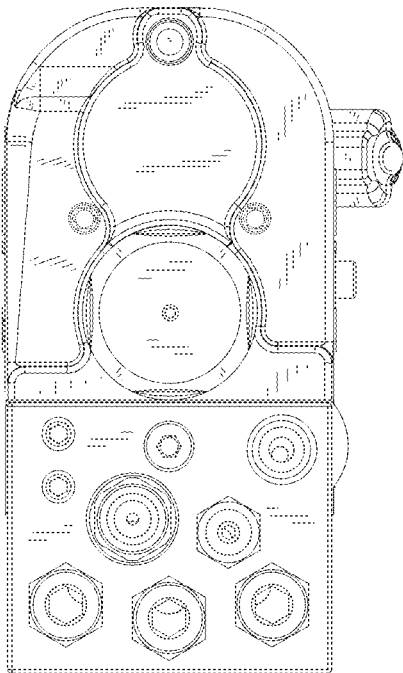


Fig. 10

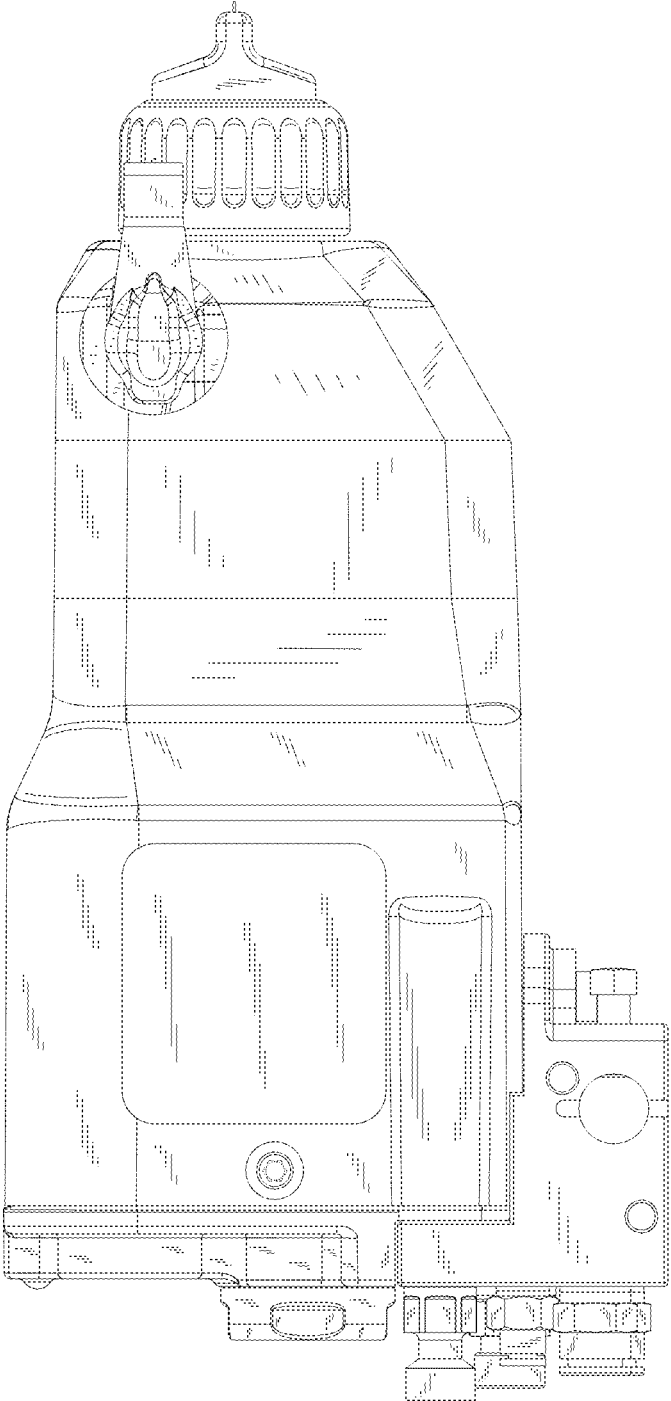


Fig. 11

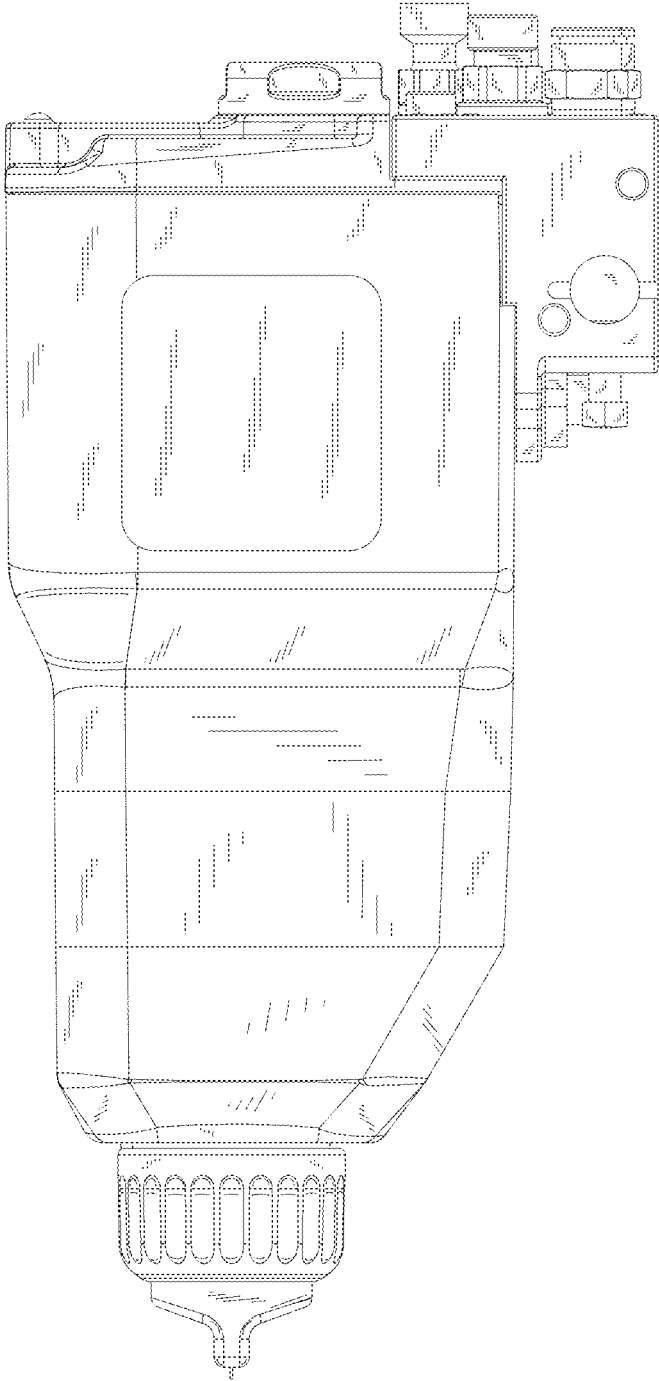


Fig. 12

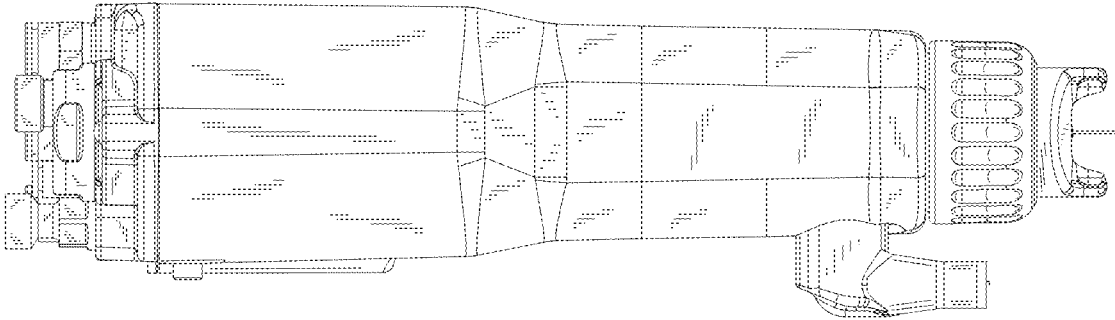


Fig. 13

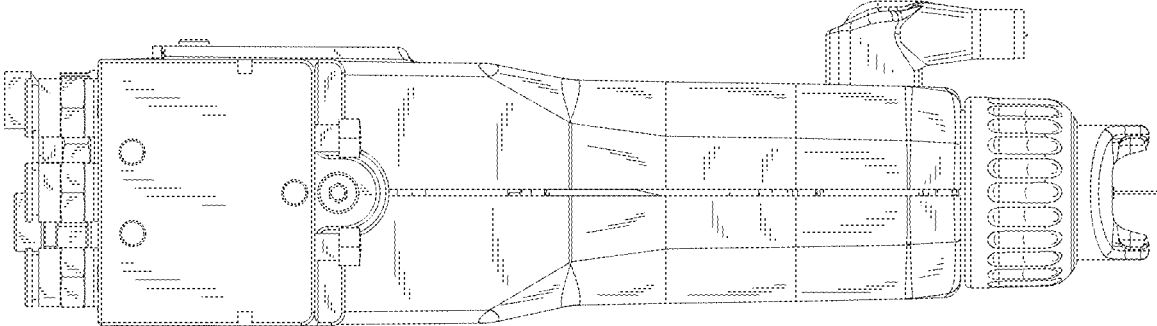


Fig. 14