



US0D1055212S

(12) **United States Design Patent**
De Oliveira et al.

(10) **Patent No.:** **US D1,055,212 S**

(45) **Date of Patent:** **** Dec. 24, 2024**

(54) **HANDLE**

(71) Applicant: **AMTROL Licensing Inc.**, West
Warwick, RI (US)

(72) Inventors: **Tiago Teixeira Rego De Oliveira**,
Oporto (PT); **Filipe Pedrosa**,
Matosinhos (PT); **Carlos Aguiar**,
Oporto (PT)

(73) Assignee: **AMTROL LICENSING INC.**, West
Warick, RI (US)

(**) Term: **15 Years**

(21) Appl. No.: **29/847,435**

(22) Filed: **Jul. 25, 2022**

(51) **LOC (14) Cl.** **23-01**

(52) **U.S. Cl.**
USPC **D23/206**

(58) **Field of Classification Search**
USPC D23/202, 206, 211.1; D3/316; D34/39
CPC F17C 2270/0134
See application file for complete search history.

(56) **References Cited**

U.S. PATENT DOCUMENTS

D205,750 S *	9/1966	Cornelius	D34/39
D460,519 S *	7/2002	Chohfi	G07F 17/32
				D23/206
D558,950 S *	1/2008	Brans	D34/39
D566,807 S *	4/2008	Oliveira	F17C 1/00
				D23/205
D576,702 S *	9/2008	Aguiar	F17C 1/00
				D23/206
D725,864 S *	3/2015	Sonzogni	D34/39
D746,942 S *	1/2016	Koppert	D23/202
D894,521 S *	8/2020	Falvey	D34/39
D912,199 S *	3/2021	Aguiar	D23/205
D920,468 S *	5/2021	Aguiar	D23/206
D923,136 S *	6/2021	Kaplan	D23/202

D930,109 S *	9/2021	Aguiar	D23/206
D930,783 S *	9/2021	de Oliveira	D23/206
2007/0068957 A1 *	3/2007	Oliveira	F17C 1/06
				220/586
2010/0147859 A1 *	6/2010	Chohfi	F17C 13/123
				16/110.1

(Continued)

FOREIGN PATENT DOCUMENTS

WO	D209788-002	*	9/2022
WO	D209788-006	*	9/2022

OTHER PUBLICATIONS

Pluma, Date first available on IDSA (Year Only) 2006 [online],
[retrieved Aug. 1, 2024]. Retrieved from Internet URL, <https://www.idsa.org/awards-recognition/idea/idea-gallery/pluma/> (Year: 2006).*

(Continued)

Primary Examiner — S. Bryan Reinholdt, Jr.
Assistant Examiner — Kyle A. Edelmaier
(74) *Attorney, Agent, or Firm* — TUCKER ELLIS LLP

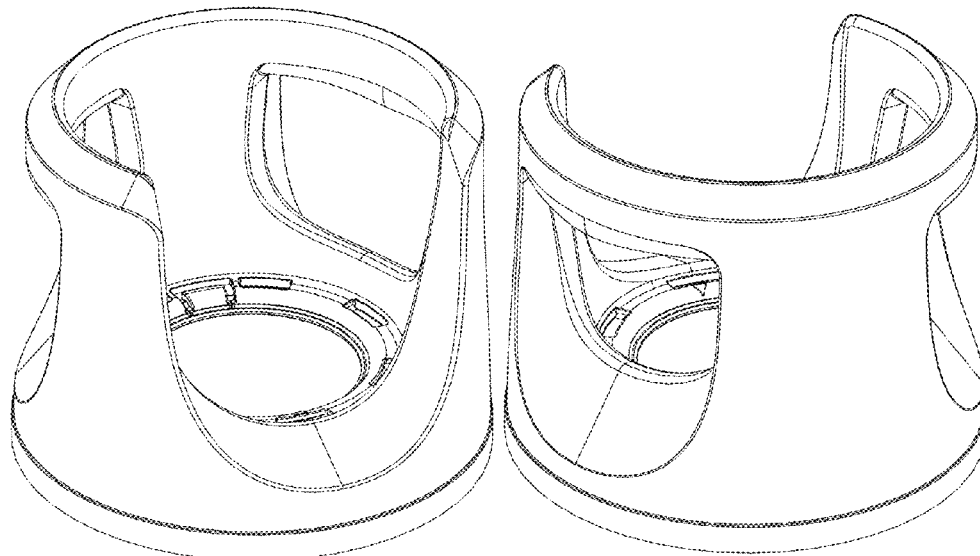
(57) **CLAIM**

The ornamental design for a handle, as shown and described.

DESCRIPTION

FIG. 1 is a top front left perspective view of a handle showing our new design;
FIG. 2 is another top front left perspective view thereof;
FIG. 3 is a top rear right perspective view thereof;
FIG. 4 is a bottom front right perspective view thereof;
FIG. 5 is a front view thereof;
FIG. 6 is a rear view thereof;
FIG. 7 is a right side view thereof;
FIG. 8 is a left side view thereof;
FIG. 9 is a top view thereof; and,
FIG. 10 is a bottom view thereof.

1 Claim, 10 Drawing Sheets



(56) **References Cited**

U.S. PATENT DOCUMENTS

2011/0147390 A1* 6/2011 Silva Vieira F17C 13/084
220/592
2013/0277376 A1* 10/2013 Liebenberg F17C 13/08
220/589
2013/0299504 A1* 11/2013 Koppert F17C 1/16
220/586
2016/0215928 A1* 7/2016 Chohfi B65D 25/28
2016/0290565 A1* 10/2016 Oliveira B65D 25/2802
2019/0353305 A1* 11/2019 Aguiar F17C 13/084
2020/0132252 A1* 4/2020 Silva Vieira F17C 13/00

OTHER PUBLICATIONS

Comet MK2, Date first available on If Design Award (Year Only) 2007 [online], [retrieved Aug. 1, 2024]. Retrieved from Internet URL, <https://ifdesign.com/en/winner-ranking/project/comet-mkii/31547> (Year: 2007).*

Genie, Date first available on If Design Award (Year Only) 2012 [online], [retrieved Aug. 1, 2024]. Retrieved from Internet URL, <https://ifdesign.com/en/winner-ranking/project/genie/85034> (Year: 2012).*

Comfort Carry, Date first available on Good Design (Year Only) 2021 [online], [retrieved Aug. 1, 2024]. Retrieved from Internet URL, <https://good-design.org/projects/comfortcarry/> (Year: 2021).*

Worthington Media, Date first available on xTwitter Feb. 23, 2023 [online], [retrieved Aug. 1, 2024]. Retrieved from Internet URL, <https://x.com/WorthingtonInds/status/1628861075448889344> (Year: 2023).*

* cited by examiner

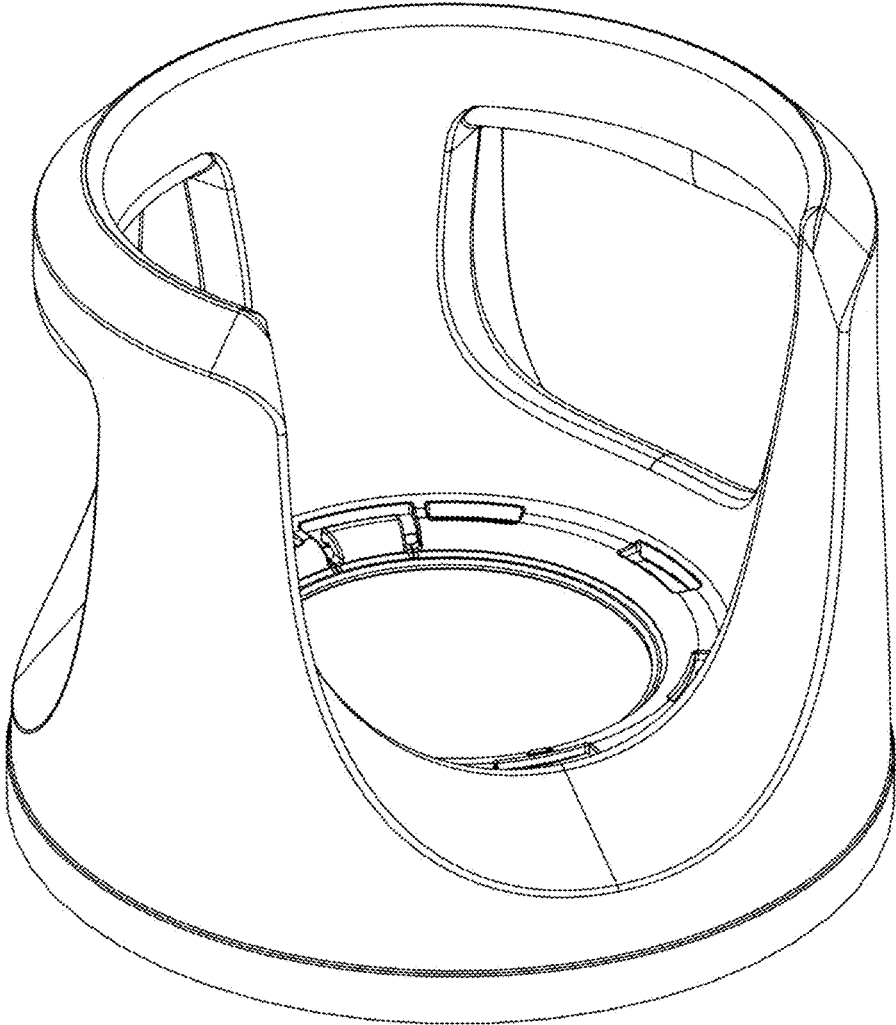


FIG. 1

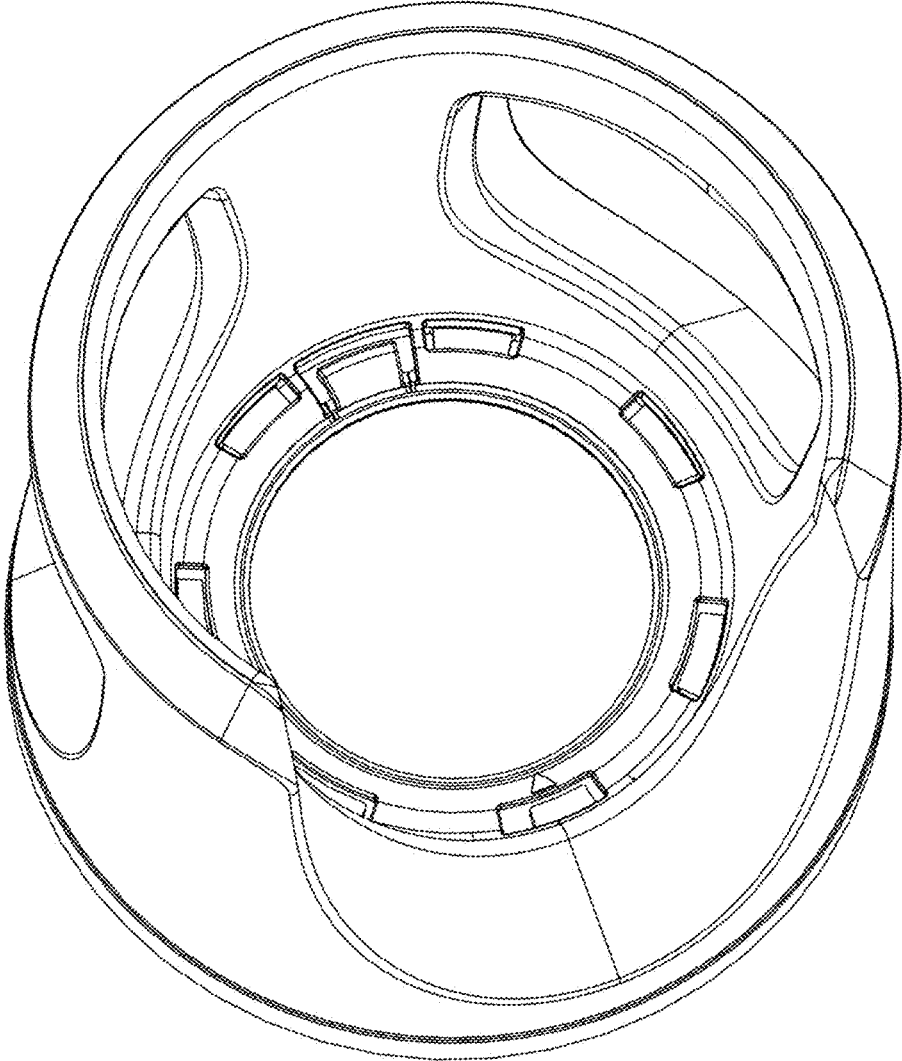


FIG. 2

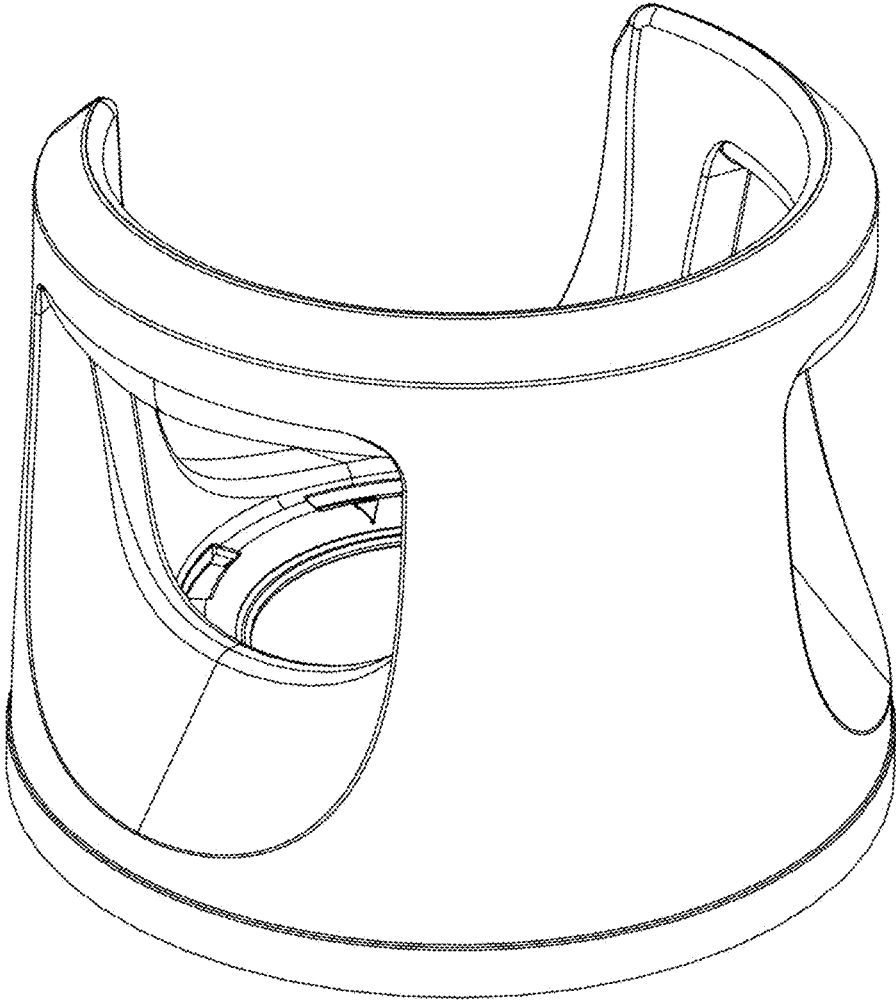


FIG. 3

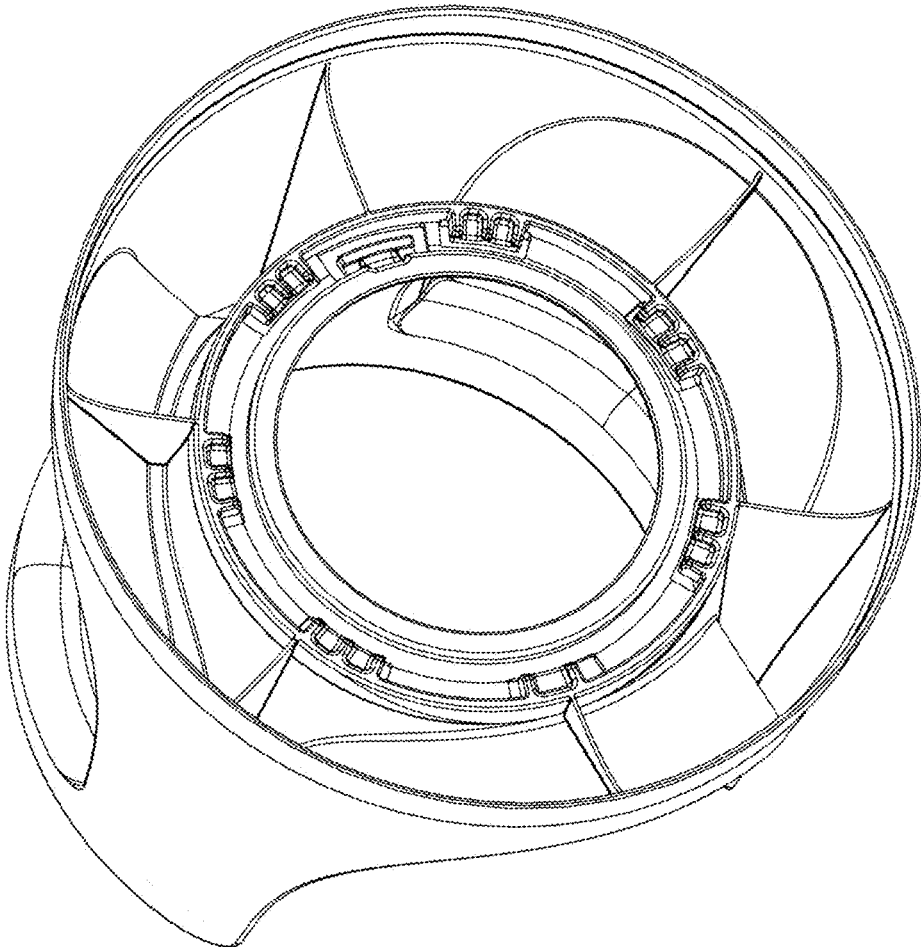


FIG. 4

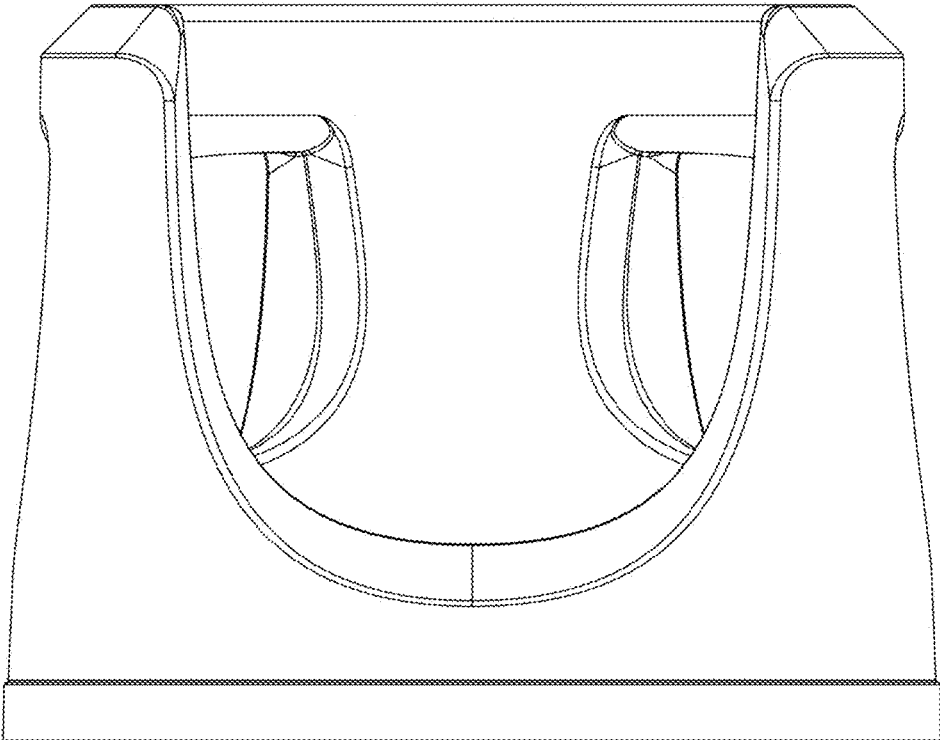


FIG. 5

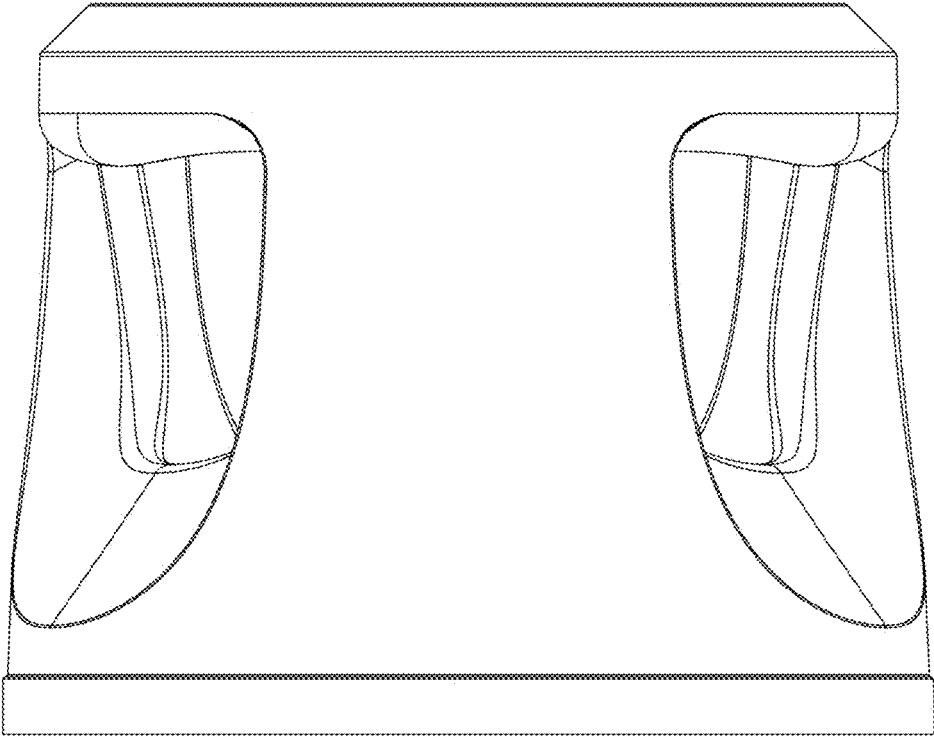


FIG. 6

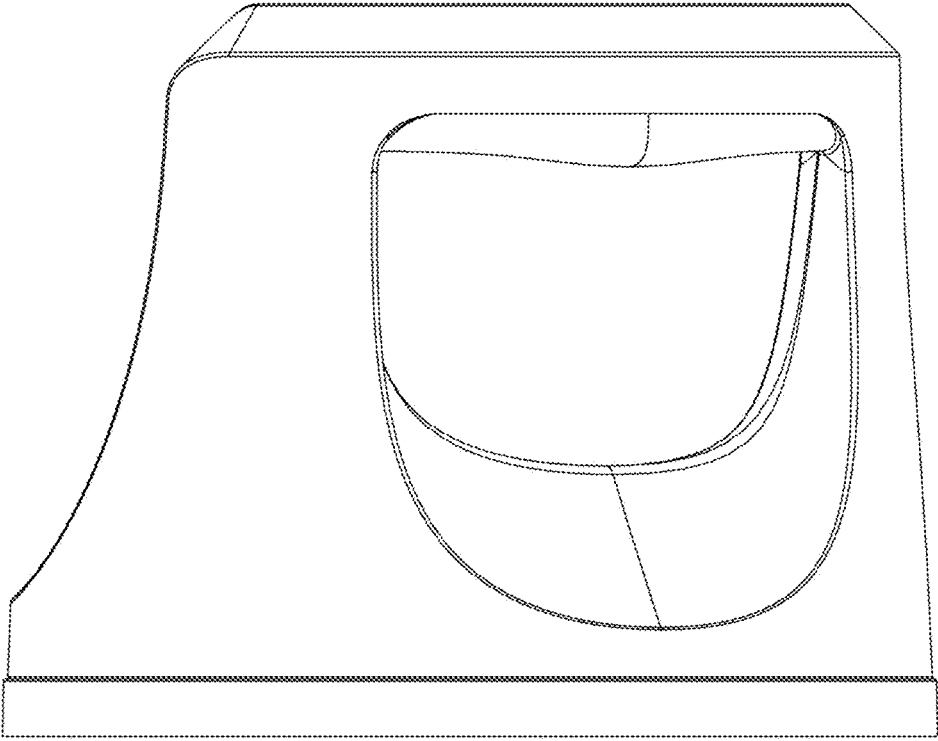


FIG. 7

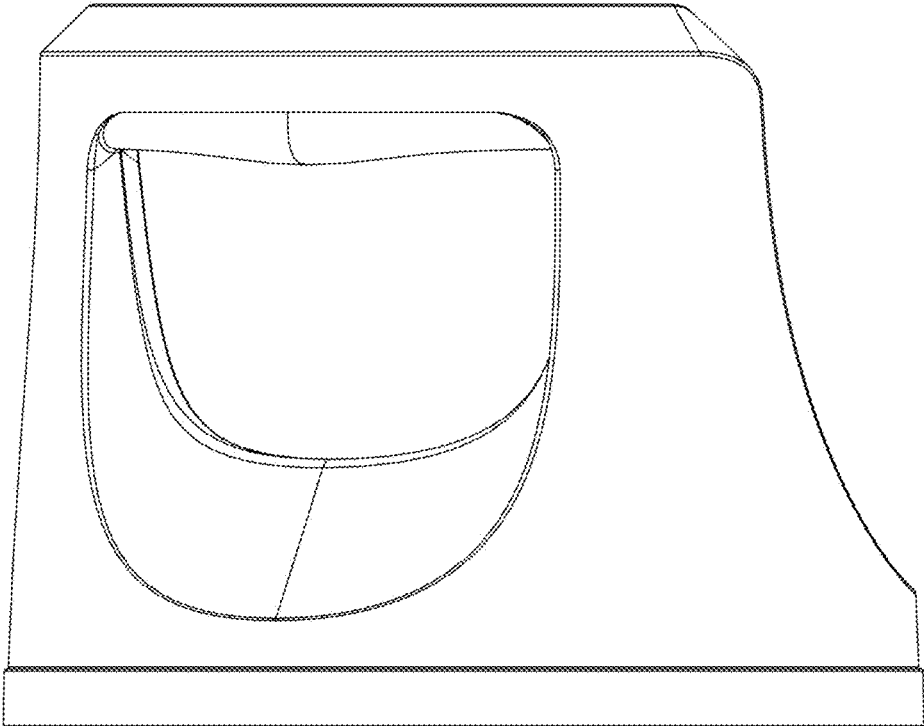


FIG. 8

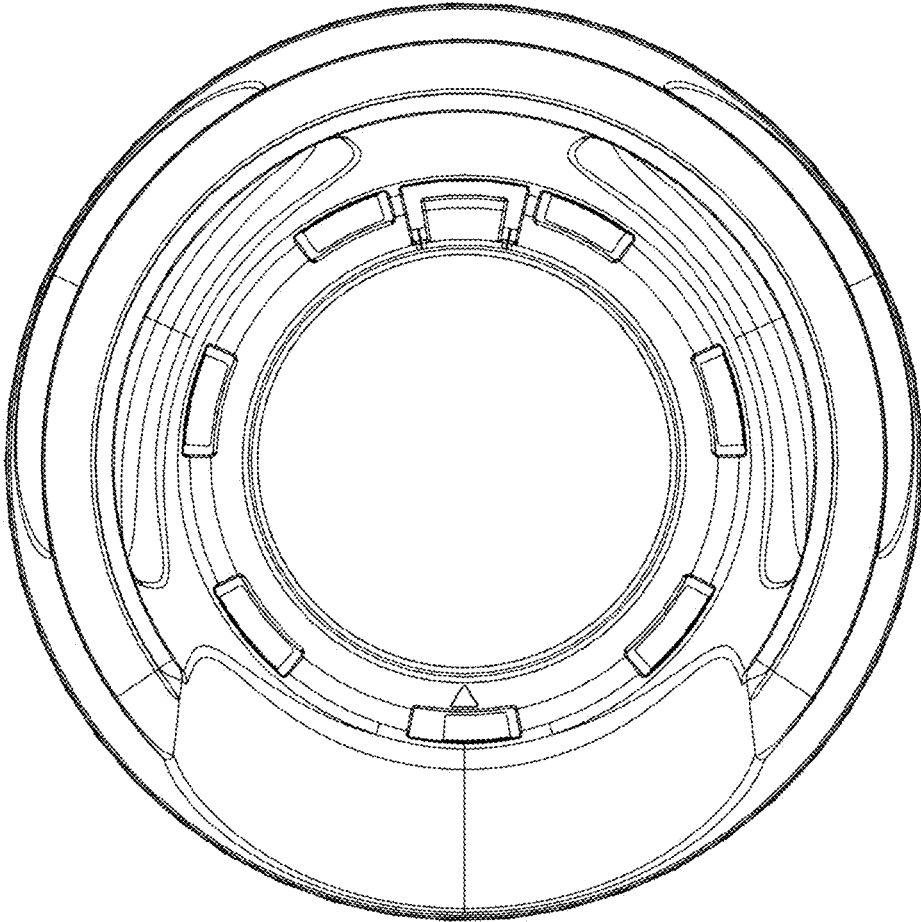


FIG. 9

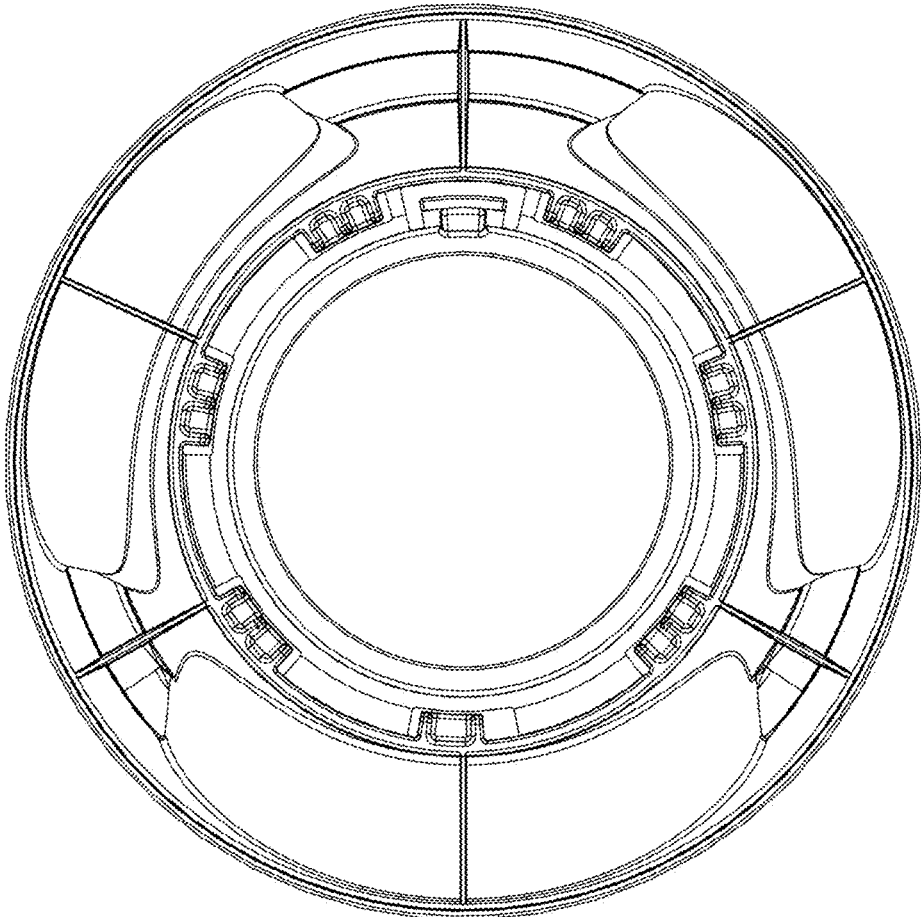


FIG. 10