



US00D638367S

(12) **United States Design Patent**
Isaacks et al.

(10) **Patent No.:** **US D638,367 S**

(45) **Date of Patent:** **** May 24, 2011**

(54) **SECURE CABLE DISTRIBUTION BOX**

(75) Inventors: **Scott J. Isaacks**, Seattle, WA (US);
Steven M. van Beveren, Kelowna (CA);
Mogens Smed, De Winton (CA)

(73) Assignee: **Agile Data Technology**, Seattle, WA (US)

(**) Term: **14 Years**

(21) Appl. No.: **29/375,177**

(22) Filed: **Sep. 17, 2010**

(51) **LOC (9) Cl.** **13-03**

(52) **U.S. Cl.** **D13/152; D13/139.4**

(58) **Field of Classification Search** D13/139.4,
D13/152, 154, 156, 158, 160, 162-164, 173,
D13/184, 199; 174/480, 482, 486, 489, 490,
174/50, 53-55, 58, 60, 66, 67; 220/3.2, 3.3,
220/3.7-3.9, 241, 242, 244, 315; 439/131,
439/135, 136, 138, 142, 367, 373, 535, 536,
439/537, 541, 892, 893

See application file for complete search history.

(56) **References Cited**

U.S. PATENT DOCUMENTS

D324,207 S * 2/1992 Nieves D13/184
5,272,297 A * 12/1993 Reichow et al. 200/549
D367,859 S * 3/1996 Beaumont et al. D14/142
5,907,127 A * 5/1999 Daoud 174/57
D422,265 S * 4/2000 Noble et al. D13/152
D463,775 S * 10/2002 Byrne D13/139.4

D472,213 S * 3/2003 Byrne D13/139.4
D516,513 S * 3/2006 Kissinger et al. D13/139.4
D539,762 S * 4/2007 Johnson et al. D13/184
D560,609 S * 1/2008 Rosenthal et al. D13/139.4
D626,069 S * 10/2010 Byrne D13/139.4

* cited by examiner

Primary Examiner — Rosemary K Tarcza

(74) *Attorney, Agent, or Firm* — Workman Nydegger

(57) **CLAIM**

The ornamental design for a secure cable distribution box, as shown and described.

DESCRIPTION

FIG. 1 is a front perspective view of a secure cable distribution box with an a first and second access door in a closed position;

FIG. 2 is a front elevation view thereof;

FIG. 3 is a left, side elevation view thereof;

FIG. 4 is a right, side elevation view thereof;

FIG. 5 is a back elevation view thereof;

FIG. 6 is a top plan view thereof;

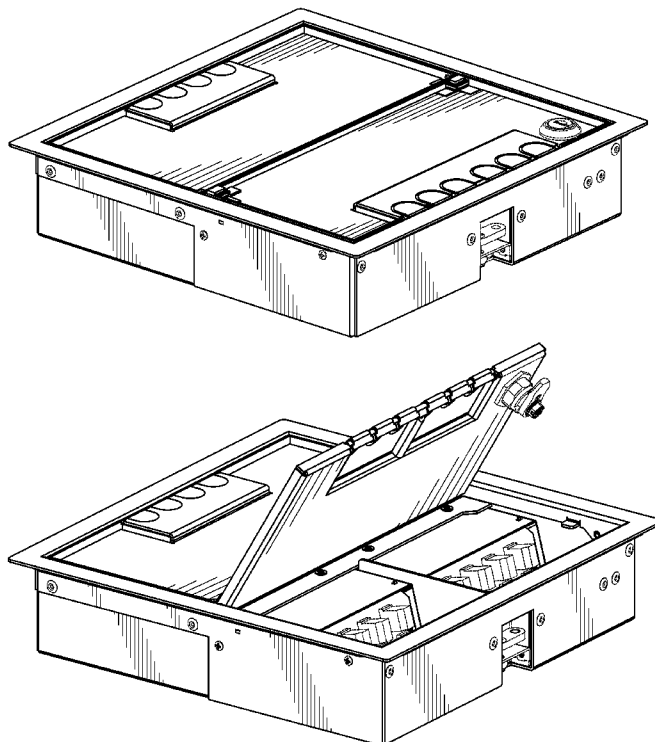
FIG. 7 is a bottom plan view thereof;

FIG. 8 is a front perspective view of a secure cable distribution box with a first access door in an open position; and,

FIG. 9 is a back perspective view of a secure cable distribution box with a second access door in an open position.

The dotted lines represent environmental matter for illustrative purposes only, and form no part of the claimed design.

1 Claim, 9 Drawing Sheets



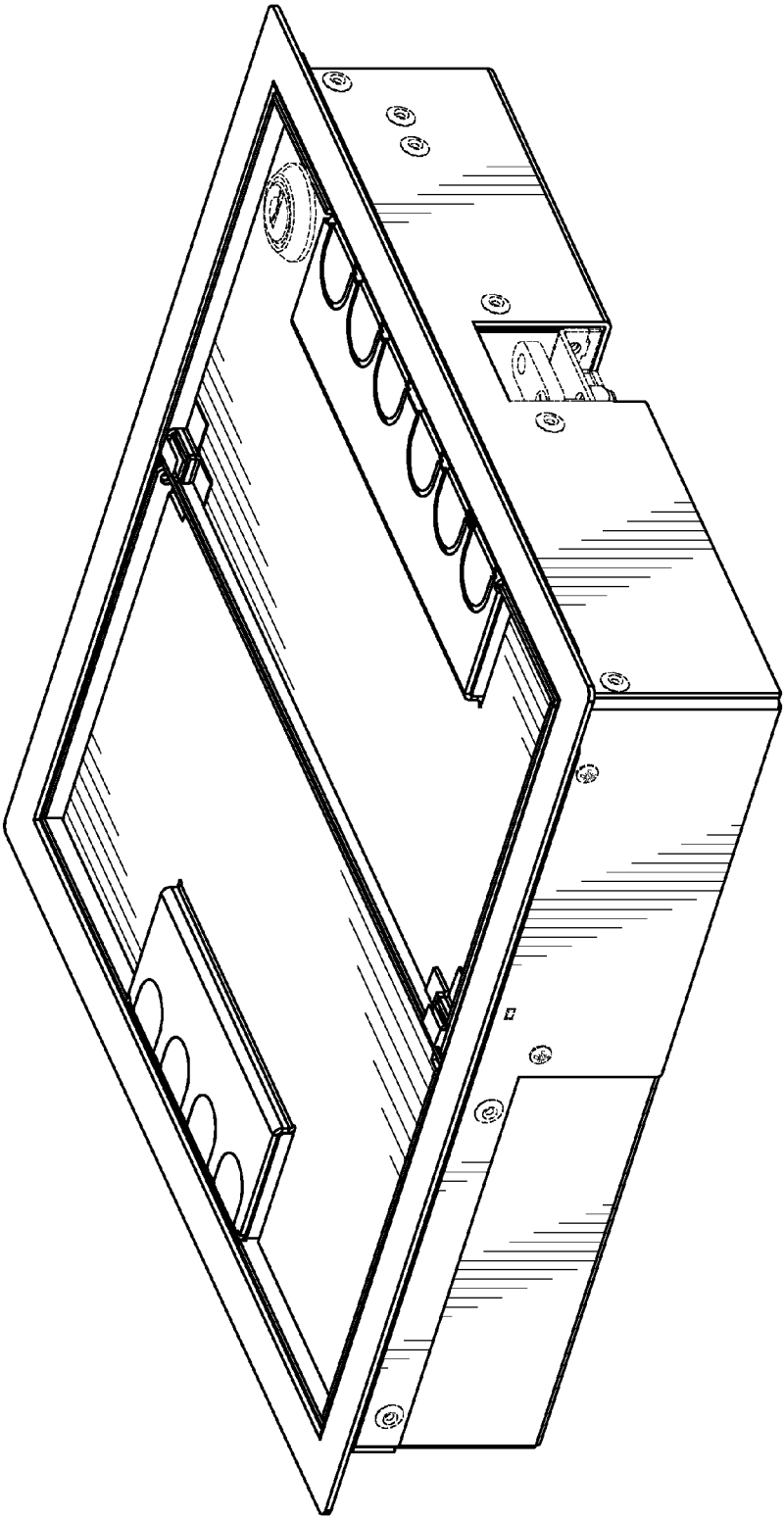


Fig. 1

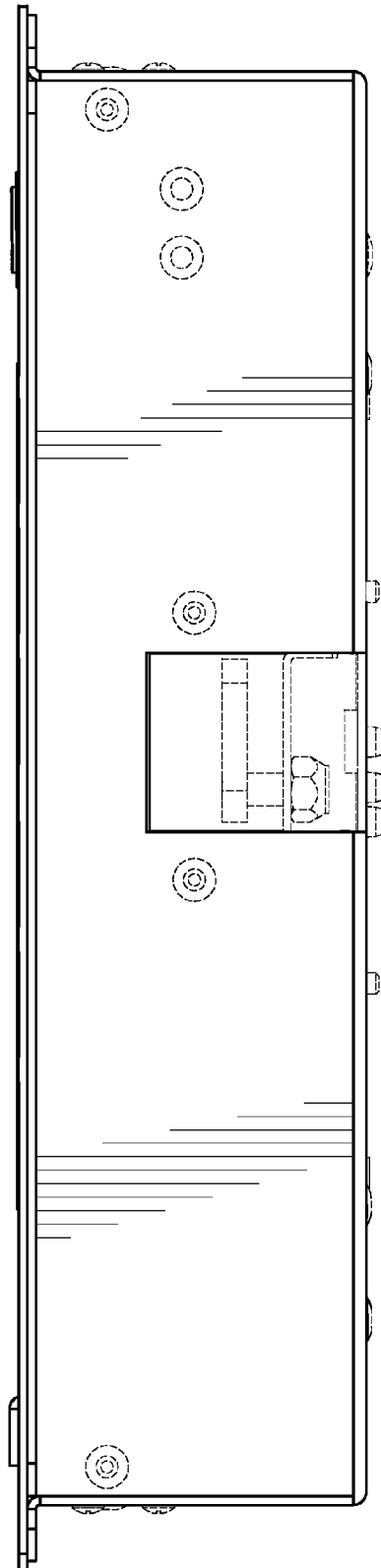


Fig. 2

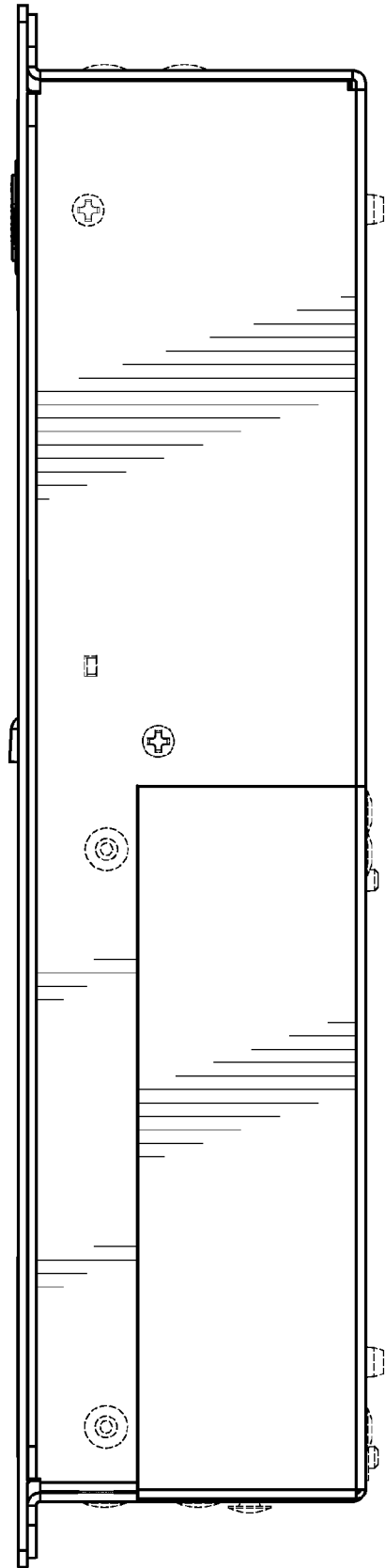


Fig. 3

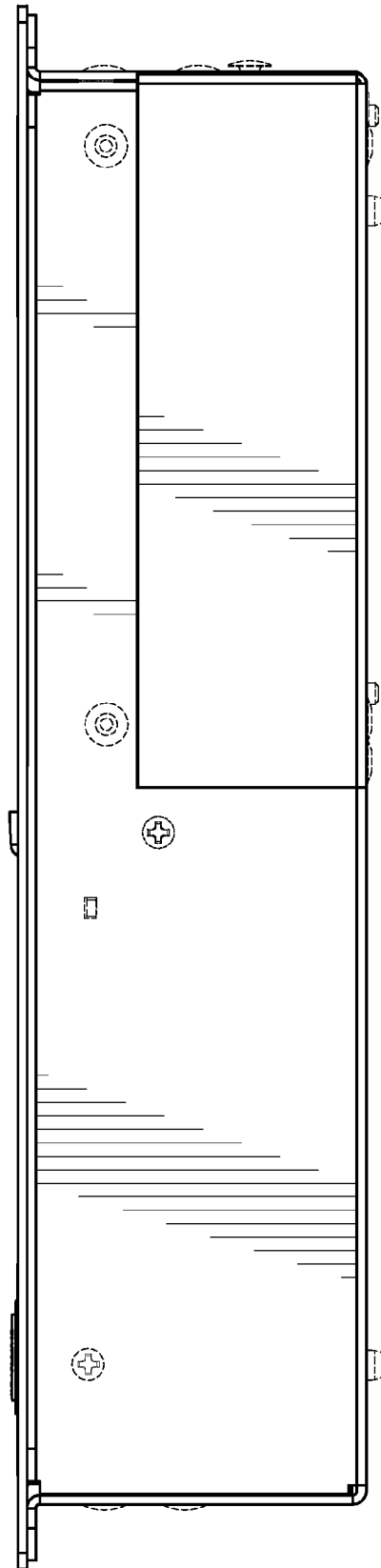


Fig. 4

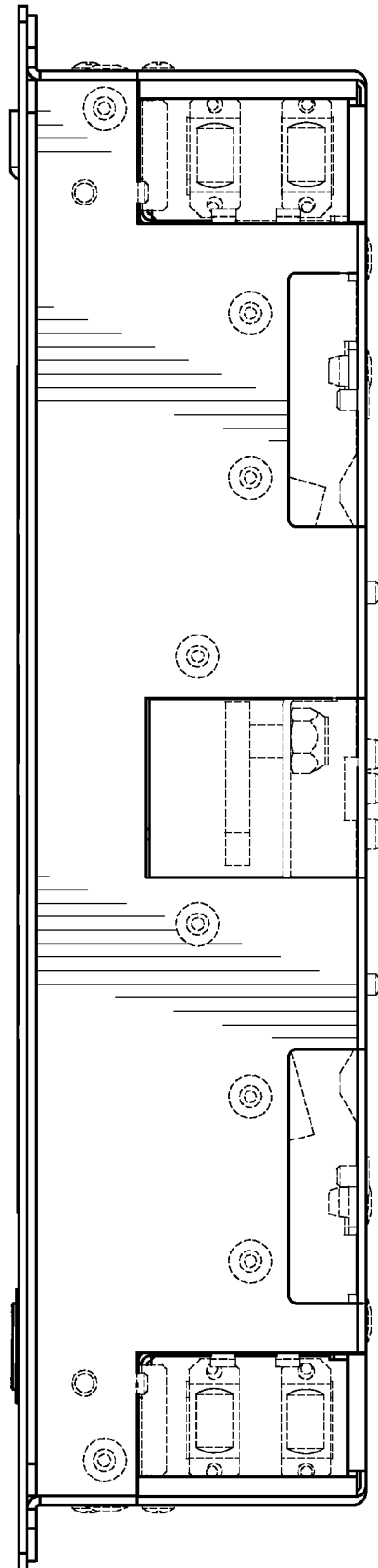


Fig. 5

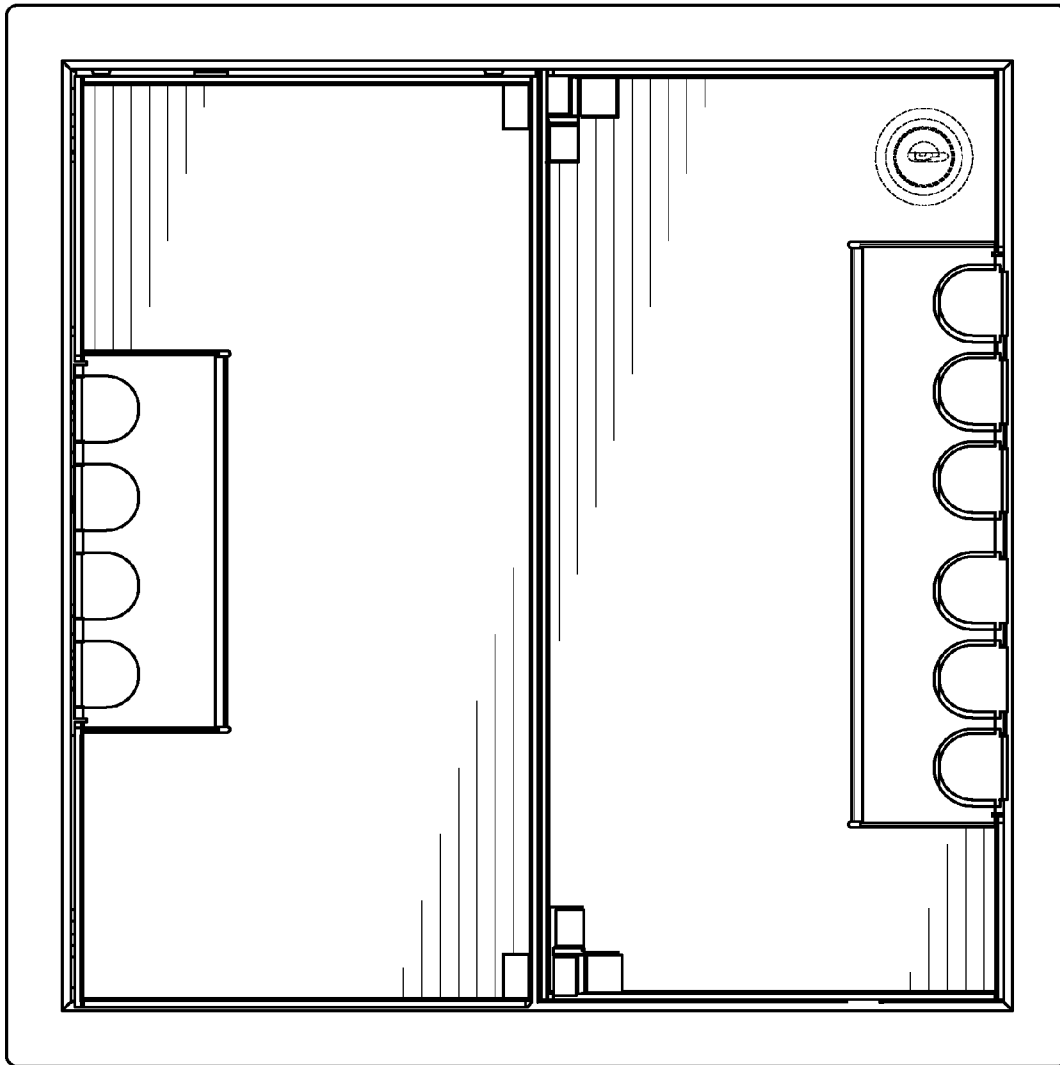


Fig. 6

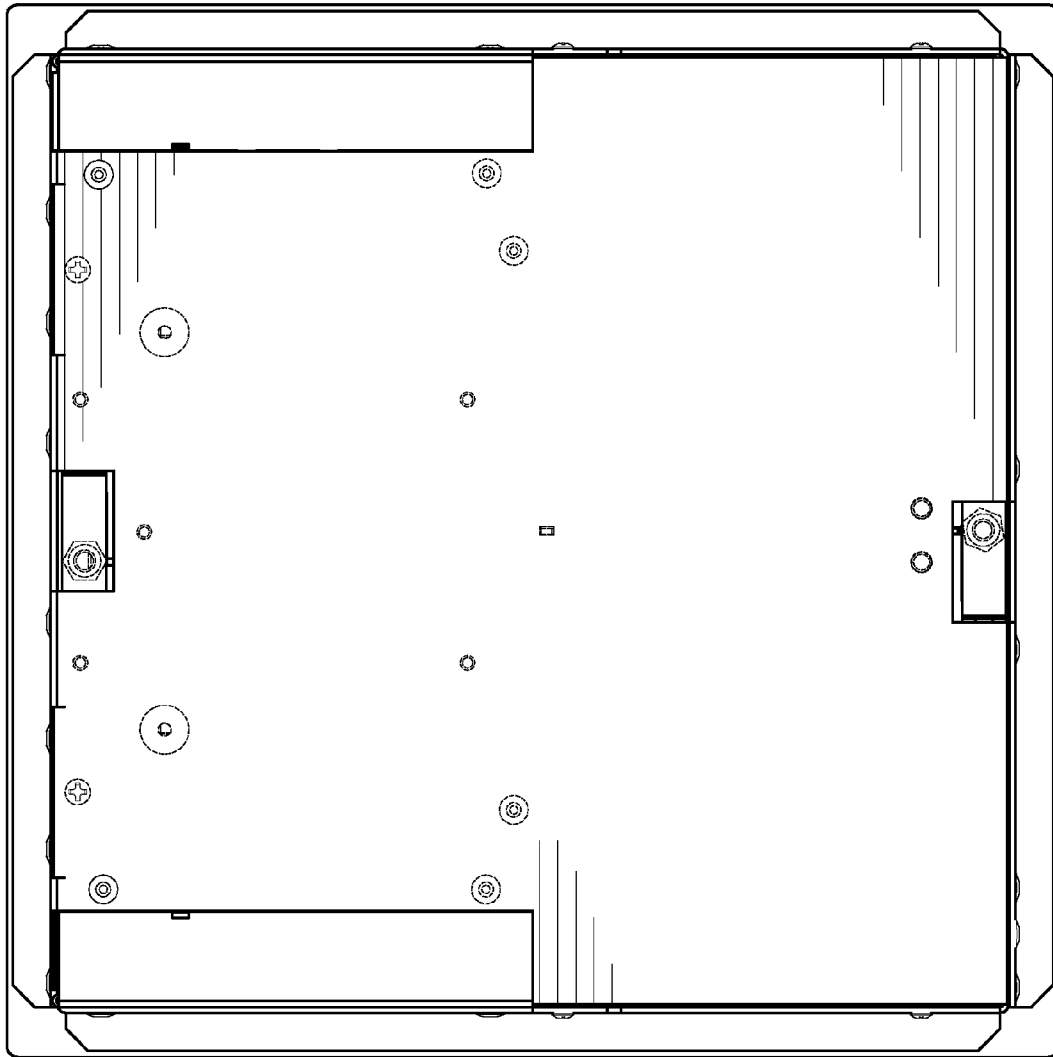


Fig. 7

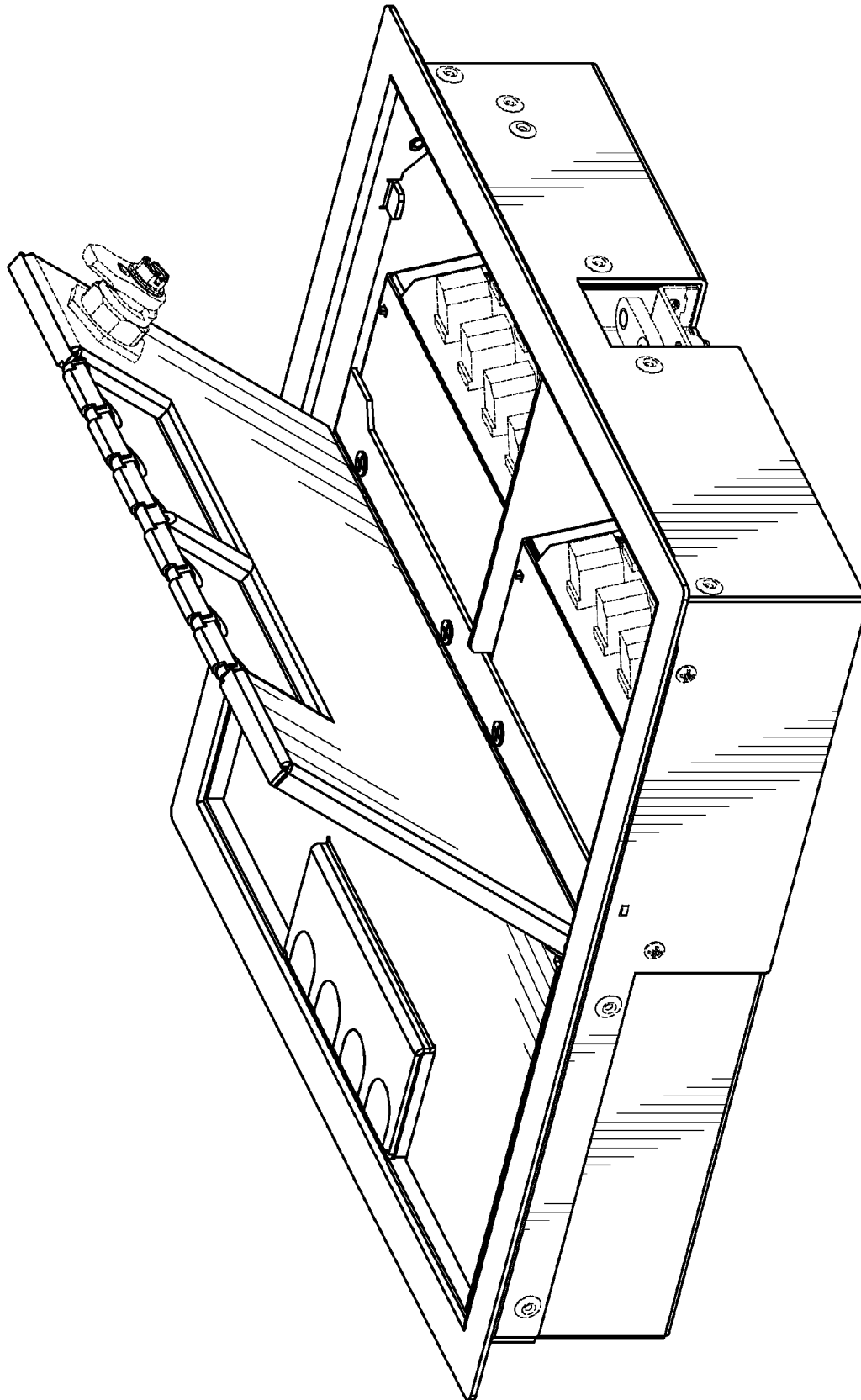


Fig. 8

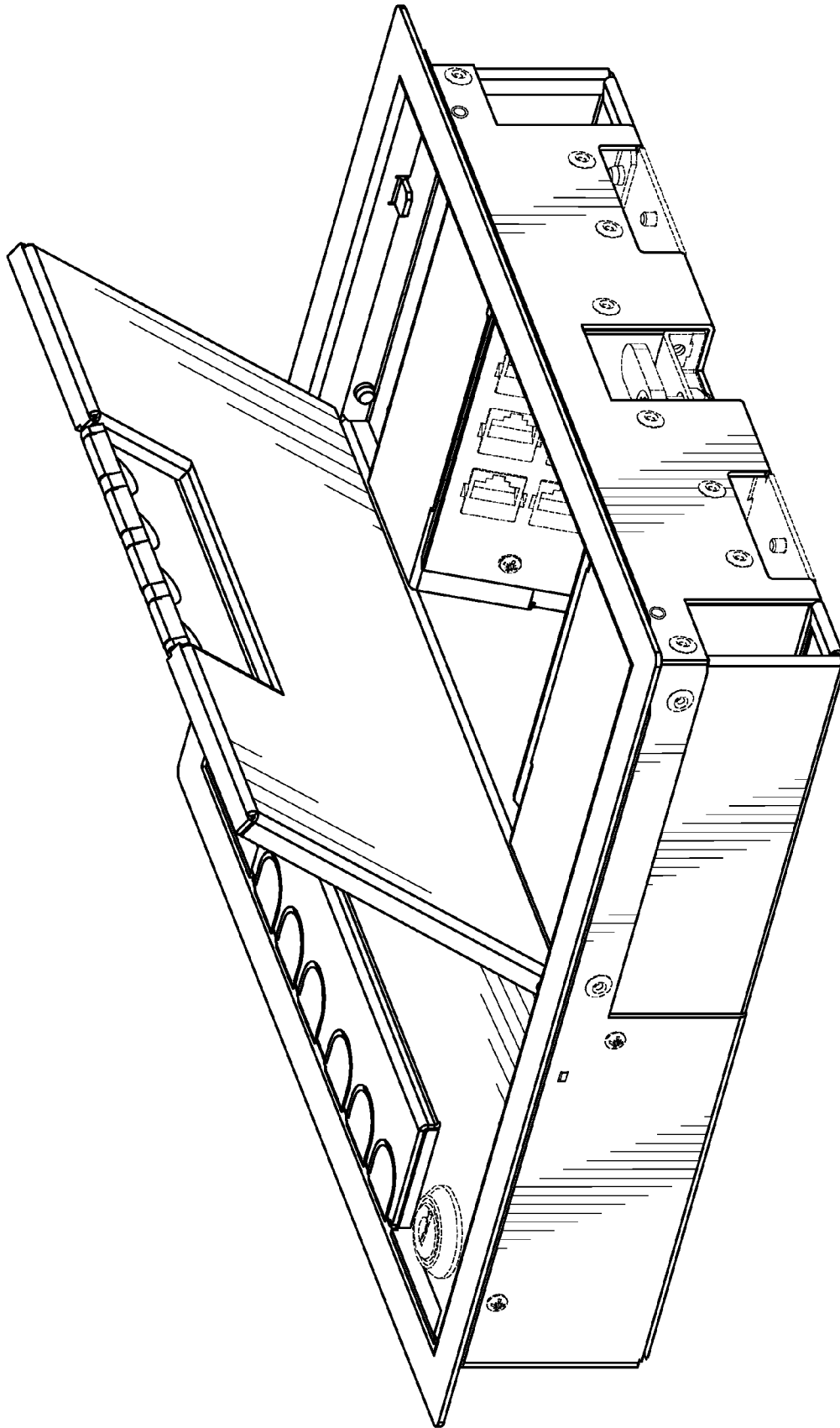


Fig. 9