

[54] **SLATE SHINGLE REMOVER**

3,987,827 10/1976 Mills 254/25
4,182,390 1/1980 Renner 81/45

[76] **Inventor: Steve A. Fraday, 1000 W. College,
Grapevine, Tex. 76051**

OTHER PUBLICATIONS

Brookstone Catalog Summer 1983 p. 56 Shingle Nail
Remover #T-3179.

[**] **Term: 14 Years**

Primary Examiner—Bruce W. Dunkins
Assistant Examiner—Clare E. Heflin

[21] **Appl. No.: 232,128**

[22] **Filed: Sep. 28, 1988**

[52] **U.S. Cl. D8/89**

[57] **CLAIM**

[58] **Field of Search D8/14, 88, 89, 105;
81/45; 254/25**

The ornamental design for the slate shingle remover, as
shown and described.

[56] **References Cited**

DESCRIPTION

U.S. PATENT DOCUMENTS

FIG. 1 is a top perspective view of the slate shingle
remover showing my new design;

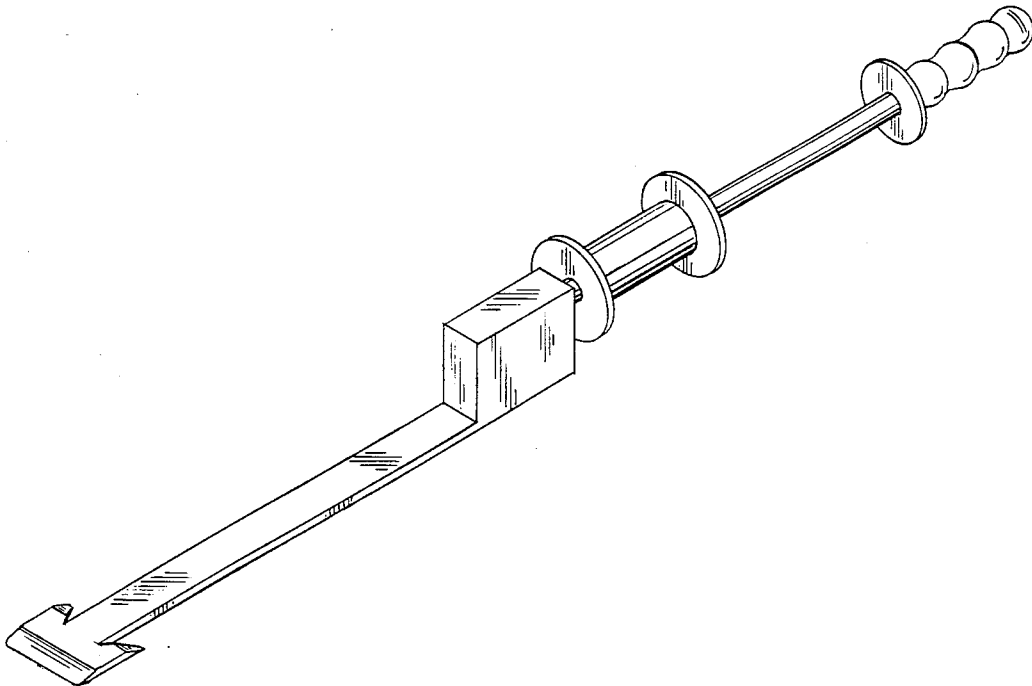
D. 45,687	4/1914	Cossette	D8/88
D. 137,738	4/1944	Bradley	D8/89
D. 216,773	3/1970	Daniels	D8/89
D. 269,471	6/1983	Auerbach	D8/14
D. 272,712	2/1984	Allen	D8/89
730,781	6/1903	Mitchell	81/45

FIG. 2 is a side elevational view thereof, the opposite
side being a mirror image;

FIG. 3 is a front elevational view thereof;

FIG. 4 is a rear elevational view thereof;

FIG. 5 is a bottom plan view thereof.



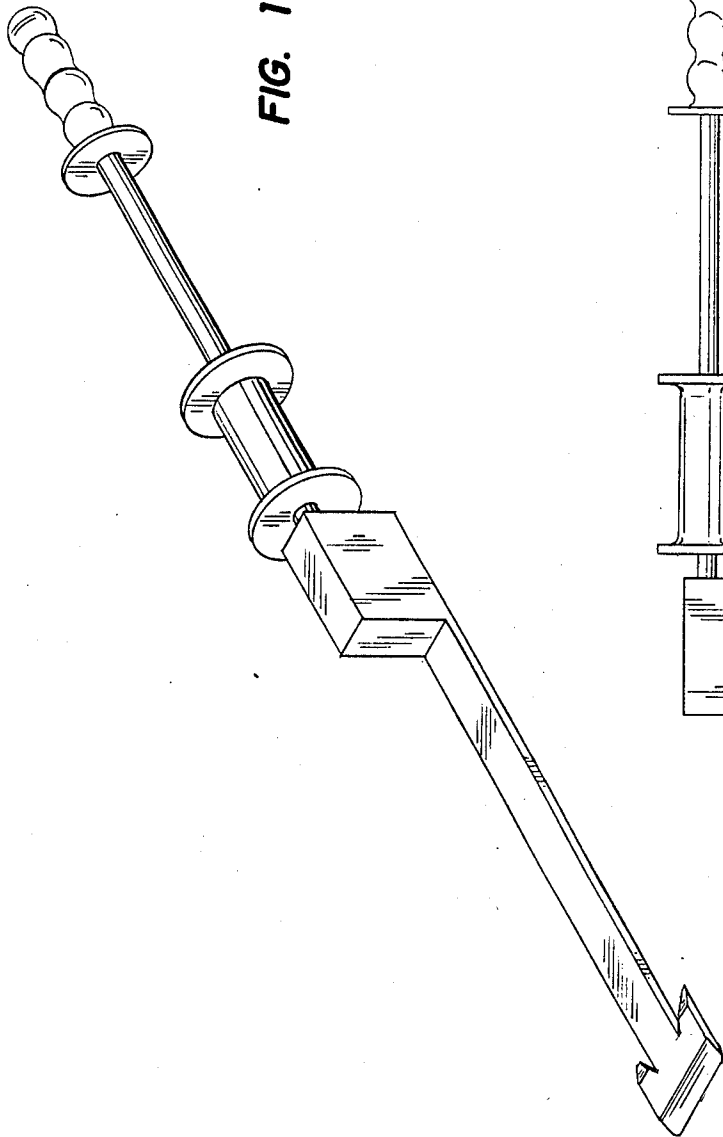


FIG. 1

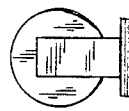


FIG. 3

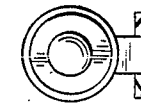


FIG. 4

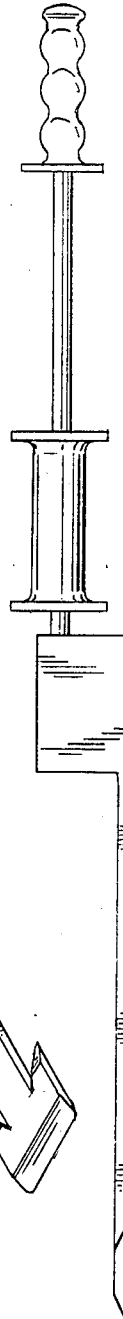


FIG. 2

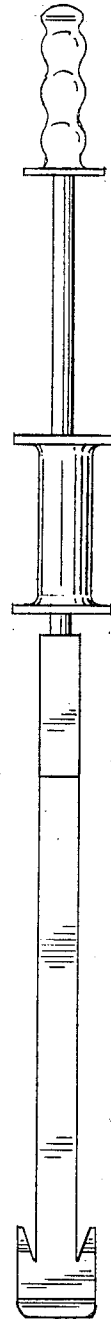


FIG. 5