



US00D920839S

(12) **United States Design Patent**
Zhang

(10) **Patent No.:** **US D920,839 S**

(45) **Date of Patent:** **** Jun. 1, 2021**

(54) **GLOVE CLIP**

(71) Applicant: **Zhuanyun Zhang**, Liaoning (CN)

(72) Inventor: **Zhuanyun Zhang**, Liaoning (CN)

(**) Term: **15 Years**

(21) Appl. No.: **29/750,472**

(22) Filed: **Sep. 14, 2020**

(30) **Foreign Application Priority Data**

Jul. 30, 2020 (CN) 202030423042.2

(51) **LOC (13) Cl.** **02-07**

(52) **U.S. Cl.**

USPC **D11/215**

(58) **Field of Classification Search**

USPC D3/215, 224; D11/200, 206, 208, 215;
D28/40, 42, 43; D8/356, 367, 394-396,
D8/499

CPC A41D 19/0041; A41D 19/0034; A41D
19/0037; A41D 19/0093; A41D 19/01552;
A41D 19/01594; F16B 45/02

See application file for complete search history.

(56) **References Cited**

U.S. PATENT DOCUMENTS

| | | | | |
|--------------|---------|-----------|-------|--------|
| D28,694 S * | 5/1898 | Wood | | D8/382 |
| D55,524 S * | 6/1920 | Mueller | | D8/395 |
| D249,927 S * | 10/1978 | Takahashi | | 47/6 |
| D413,789 S * | 9/1999 | Striebel | | D8/367 |
| D434,971 S * | 12/2000 | Cheng | | D8/367 |
| D478,723 S * | 8/2003 | Blanton | | D3/215 |
| D515,412 S * | 2/2006 | Waalder | | D8/395 |
| D523,330 S | 6/2006 | Mattesky | | |
| D537,328 S * | 2/2007 | Votel | | D8/395 |

| | | | | |
|------------------|--------|---------|-------|----------------------|
| D665,655 S * | 8/2012 | Ishii | | D8/367 |
| D892,600 S * | 8/2020 | Schmitz | | D8/367 |
| 2006/0179784 A1* | 8/2006 | Chen | | F16B 21/00 52/698 |

FOREIGN PATENT DOCUMENTS

CN RGN 303925142 * 11/2016

OTHER PUBLICATIONS

Glove Grabber Clip Holder (available online May 17, 2019) Retrieved from the internet Dec. 14, 2020 from URL: https://www.amazon.com/Grabber-Holder-Glasses-Helmets-Catcher/dp/B07S19QDZ3/ref=sr_1_1_sspa?dchild=1&keywords=glove+clips&qid=1607977856&sr=8-1-spons&psc=1&spLa=ZW5jcnlwdGV.*

* cited by examiner

Primary Examiner — Kevin K Rudzinski

Assistant Examiner — Richard Kearney

(74) *Attorney, Agent, or Firm* — Zhihua Han; Wen IP LLC

(57)

CLAIM

The ornamental design for a glove clip, as shown and described.

DESCRIPTION

FIG. 1 is a prospective view of a glove clip, showing my new design;

FIG. 2 is another prospective view thereof, but shown in an alternative configuration for clarity of illustration;

FIG. 3 is a front elevation view thereof;

FIG. 4 is a rear elevation view thereof;

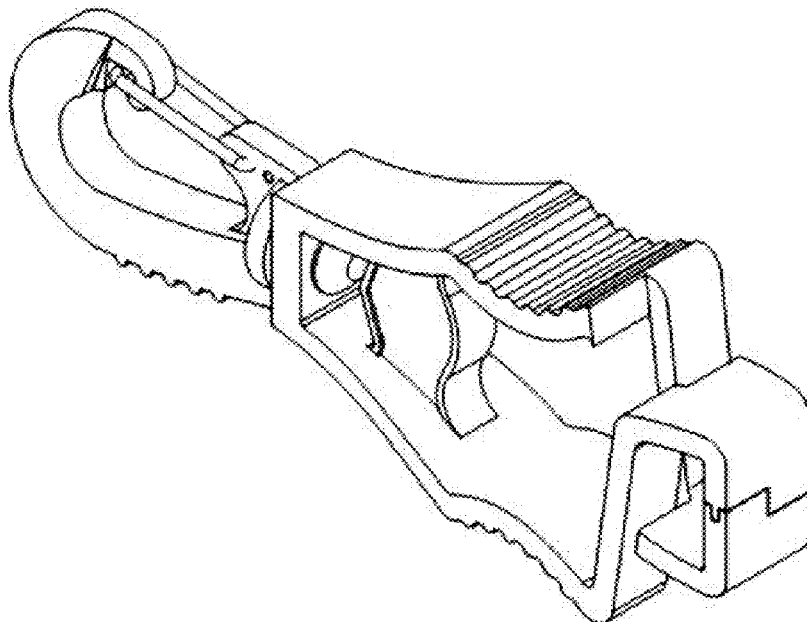
FIG. 5 is a left side elevation view thereof;

FIG. 6 is a right side elevation view thereof;

FIG. 7 is a top plan view thereof; and,

FIG. 8 is a bottom plan view thereof.

1 Claim, 8 Drawing Sheets



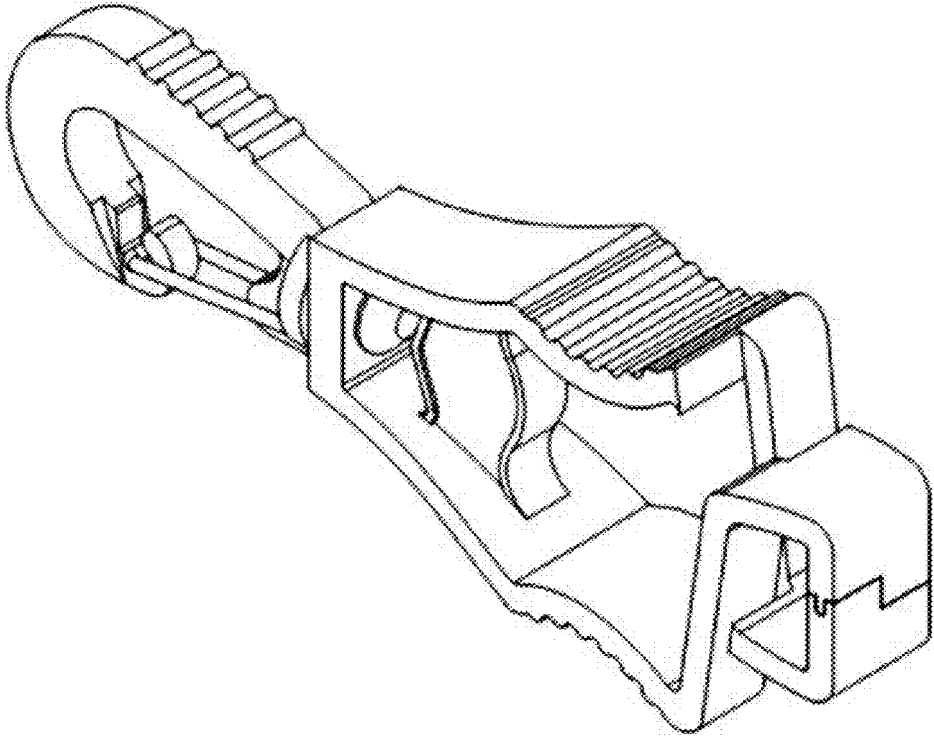


FIG. 1

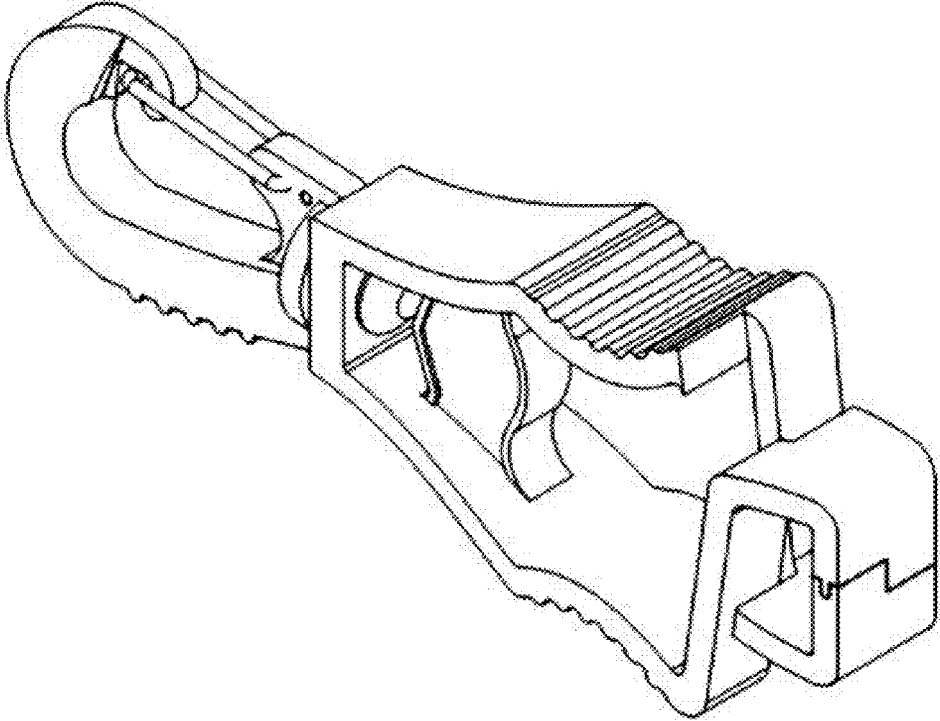


FIG. 2

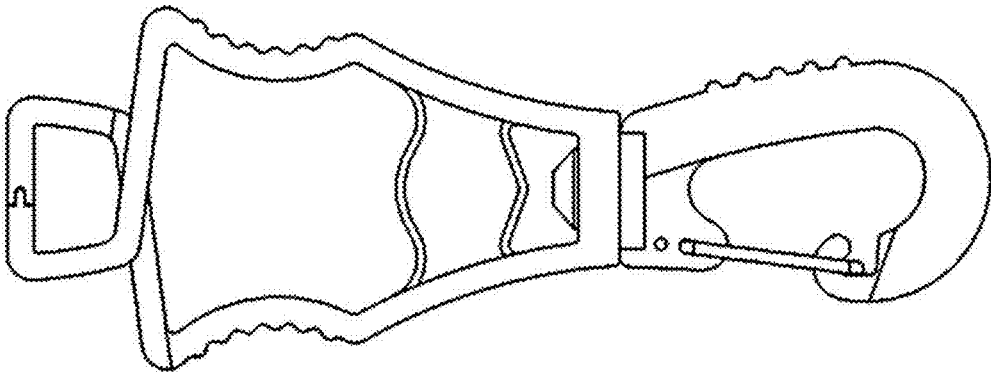


FIG. 3

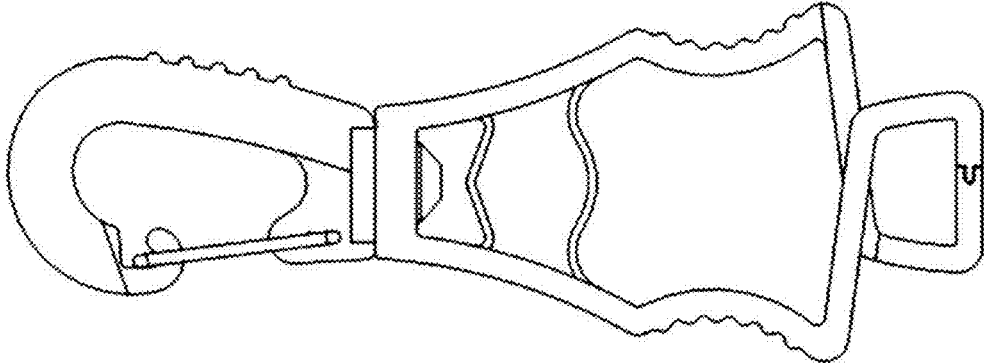


FIG. 4

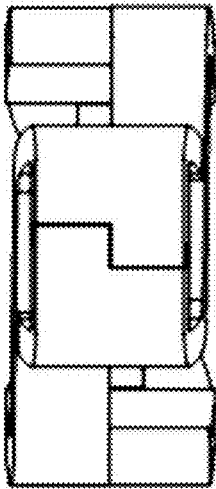


FIG. 5

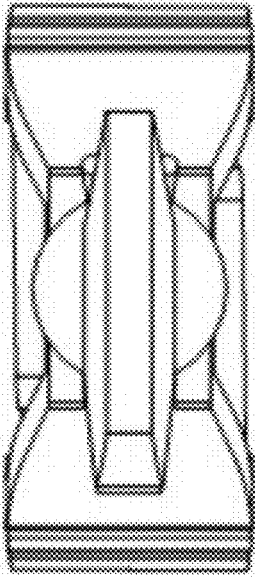


FIG. 6

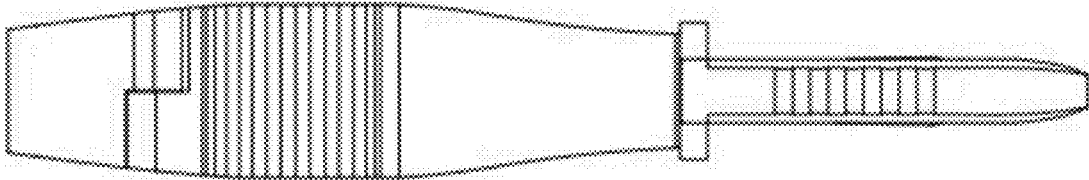


FIG. 7



FIG. 8