



US00D851065S

(12) **United States Design Patent**
Yan

(10) **Patent No.:** **US D851,065 S**

(45) **Date of Patent:** **** Jun. 11, 2019**

(54) **WIRELESS EARPHONE**

(71) Applicant: **Xiaohuang Yan**, Fuzhou (CN)

(72) Inventor: **Xiaohuang Yan**, Fuzhou (CN)

(**) Term: **15 Years**

(21) Appl. No.: **29/635,237**

(22) Filed: **Jan. 30, 2018**

(51) **LOC (11) Cl.** **14-01**

(52) **U.S. Cl.**

USPC **D14/206; D14/226**

(58) **Field of Classification Search**

USPC D14/206, 225, 226, 205; D24/174;
128/865, 866, 867; 181/129, 130, 135;
379/430, 431; 381/380, 381, 374, 370,
381/379; 455/90.3, 575.1, 569.1

CPC H04R 25/00; H04R 1/10; H04R 1/1066;
H04R 1/1016; H04R 1/105; H04R 1/083;
H04R 5/033; H04R 5/0335

See application file for complete search history.

(56) **References Cited**

U.S. PATENT DOCUMENTS

D179,150 S *	11/1956	Norris	D14/192
D251,234 S *	3/1979	Hakansson	D10/46
D295,403 S *	4/1988	Oleson	D14/225
D354,568 S *	1/1995	Araki	D24/174
D357,477 S *	4/1995	Mueller	D14/206
D384,958 S *	10/1997	Shudo	D14/206
D385,036 S *	10/1997	Nielsen	D24/174
D439,890 S *	4/2001	Skulley	D14/206
D443,603 S *	6/2001	Taylor	D14/206
D447,472 S *	9/2001	McGugan	D14/225
D447,473 S *	9/2001	Chuang	D13/151
D447,743 S *	9/2001	Ma	D14/223
D449,290 S *	10/2001	Taylor	D14/206
D451,907 S *	12/2001	Amae	D14/206

D452,857 S *	1/2002	Hong	D14/206
D455,417 S *	4/2002	Bey	D14/206
D457,635 S *	5/2002	Dittli	D24/174
D458,247 S *	6/2002	Davies	D14/206
D463,784 S *	10/2002	Taylor	D14/206
D464,943 S *	10/2002	Lai	D14/206
D464,951 S *	10/2002	Skulley	D14/142
D468,721 S *	1/2003	Nguyen	D14/205
D469,081 S *	1/2003	Perszyk	D14/205
D470,121 S *	2/2003	Nguyen	D14/205
D470,478 S *	2/2003	Kohli	D14/223
D474,171 S *	5/2003	Suzuki	D14/206
D474,178 S *	5/2003	Eroma	D14/205
D476,645 S *	7/2003	Padala	D14/223
D477,821 S *	7/2003	Bieltvedt	D14/206
D480,072 S *	9/2003	Ham	D14/223
D490,398 S *	5/2004	Gwee	D14/205
D498,227 S *	11/2004	Dyer	D14/205
D504,419 S *	4/2005	Bey	D14/223
D504,673 S *	5/2005	Dyer	D14/205
D504,887 S *	5/2005	Skulley	D14/223
D505,413 S *	5/2005	Skulley	D14/223

(Continued)

Primary Examiner — Paula Allen Greene
(74) *Attorney, Agent, or Firm* — WPAT, PC

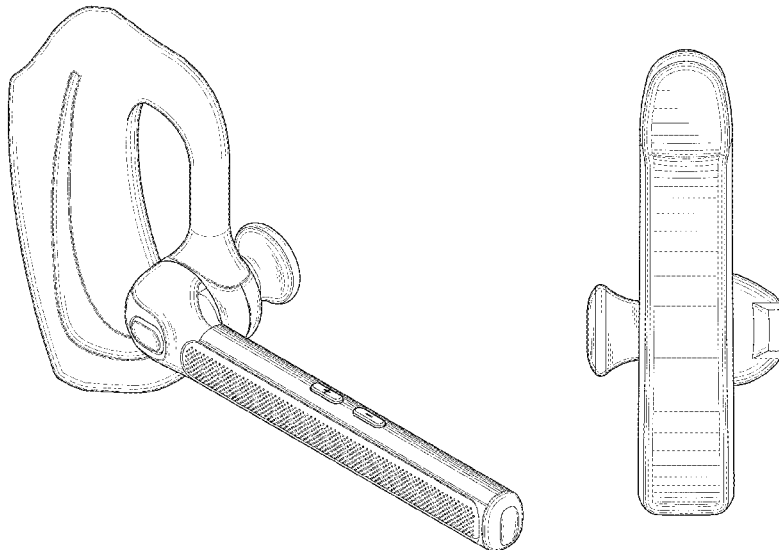
(57) **CLAIM**

The ornamental design for a “wireless earphone”, as shown and described.

DESCRIPTION

FIG. 1 is a front, left and top perspective view of a wireless earphone showing my new design;
FIG. 2 is a front elevational view thereof;
FIG. 3 is a rear elevational view thereof;
FIG. 4 is a left side elevational view thereof;
FIG. 5 is a right side elevational view thereof;
FIG. 6 is a top plan view thereof;
FIG. 7 is a bottom plan view thereof; and,
FIG. 8 is a rear, right and bottom perspective view thereof.

1 Claim, 7 Drawing Sheets



(56)

References Cited

U.S. PATENT DOCUMENTS

D506,258	S *	6/2005	Nielsen	D24/174	D681,002	S *	4/2013	Ham	D14/205
D506,472	S *	6/2005	Tyner, Jr.	D14/486	D681,003	S *	4/2013	Ham	D14/206
D511,156	S *	11/2005	Eroma	D14/205	D681,014	S *	4/2013	Ham	D14/206
D512,984	S *	12/2005	Ham	D14/205	D705,936	S *	5/2014	Lockenwitz	D24/174
D515,074	S *	2/2006	Jacobson	D14/225	D717,771	S *	11/2014	Harper	D14/223
D517,528	S *	3/2006	Skulley	D14/206	D726,147	S *	4/2015	Tran	D14/206
D518,473	S *	4/2006	Gwee	D14/205	D746,260	S *	12/2015	Goransson	D14/206
D518,479	S *	4/2006	Skulley	D14/225	D750,043	S *	2/2016	Birger	D14/206
D519,498	S *	4/2006	Ham	D14/225	D784,290	S *	4/2017	Paterson	D14/205
D520,496	S *	5/2006	Gwee	D14/205	D784,291	S *	4/2017	Paterson	D14/206
D521,492	S *	5/2006	Ham	D14/205	D789,331	S *	6/2017	Paterson	D14/225
D530,819	S *	10/2006	Jurkiewicz	D24/174	D797,076	S *	9/2017	Zhang	D14/206
D535,980	S *	1/2007	Bentley	D14/225	D800,692	S *	10/2017	Tan	D14/206
D537,815	S *	3/2007	Bentley	D14/206	D804,035	S *	11/2017	Gabathuler	D24/174
D539,266	S *	3/2007	Bentley	D14/205	D812,040	S *	3/2018	Yan	D14/206
D539,789	S *	4/2007	Rausch	D14/225	D828,327	S *	9/2018	Birger	D14/206
D541,787	S *	5/2007	Ma	D14/205	D830,337	S *	10/2018	Yan	D14/206
D581,900	S *	12/2008	Caddes	D14/206	D830,338	S *	10/2018	Yan	D14/206
D584,719	S *	1/2009	Brennwald	D14/205	D838,688	S *	1/2019	Liu	D14/206
D603,372	S *	11/2009	Bentley	D14/206	2004/0062410	A1 *	4/2004	Wagner	H04R 25/65 381/330
D612,834	S *	3/2010	Yang	D14/206	2005/0129259	A1 *	6/2005	Garner	H04R 1/083 381/172
D612,835	S *	3/2010	Yang	D14/206	2005/0259812	A1 *	11/2005	Chen	H04M 1/05 379/431
D612,840	S *	3/2010	Yang	D14/206	2010/0290655	A1 *	11/2010	Takeda	H04R 25/602 381/323
D647,877	S *	11/2011	Son	D14/206	2013/0322646	A1 *	12/2013	Davie	H04R 1/1041 381/74
D653,649	S *	2/2012	Yang	D14/206	2015/0237434	A1 *	8/2015	Tran	H04R 1/1008 381/380
D657,347	S *	4/2012	Chung	D14/206	2017/0339489	A1 *	11/2017	Sheen	H03G 5/005
D667,121	S *	9/2012	Mori	D24/174						
D670,267	S *	11/2012	Maddern	D14/206						
D671,915	S *	12/2012	Birger	D14/206						
8,374,370	B2 *	2/2013	Zhang	A61B 5/121 381/322						

* cited by examiner

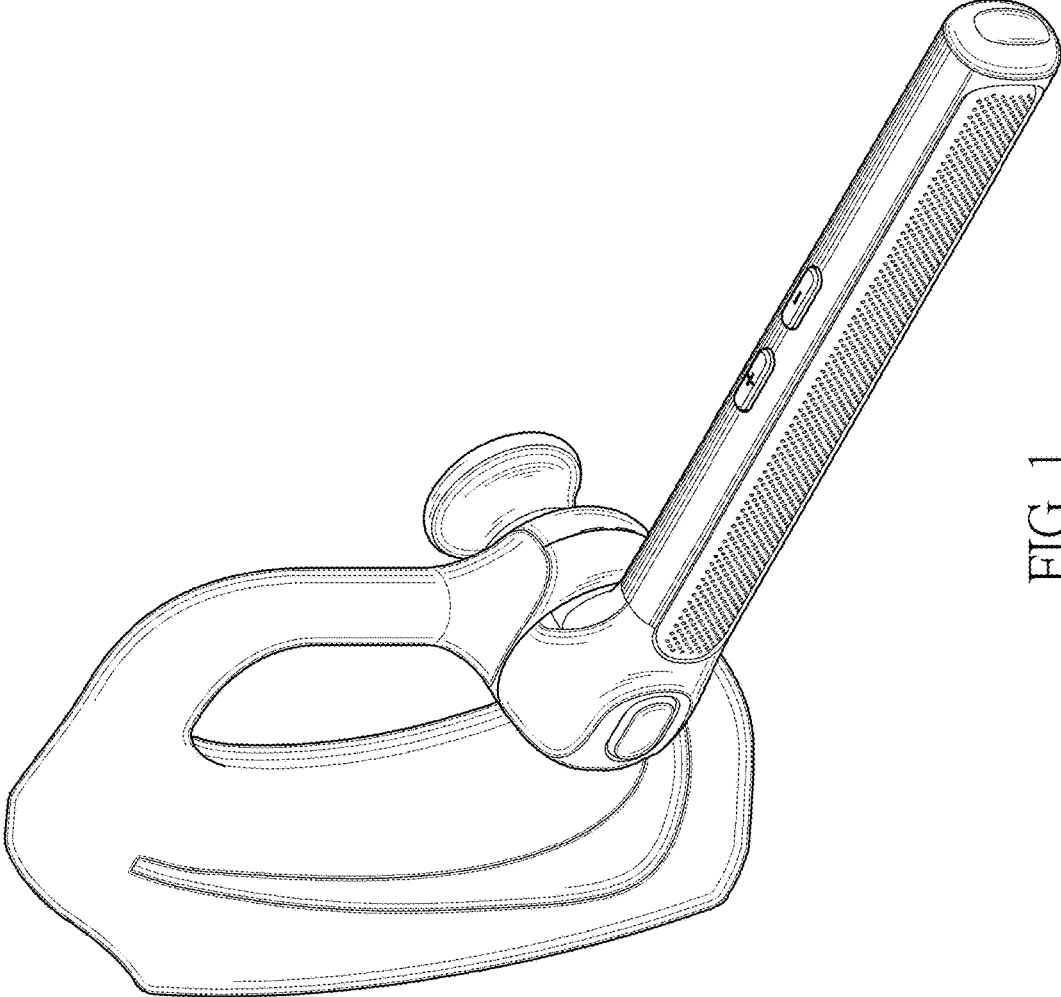


FIG. 1

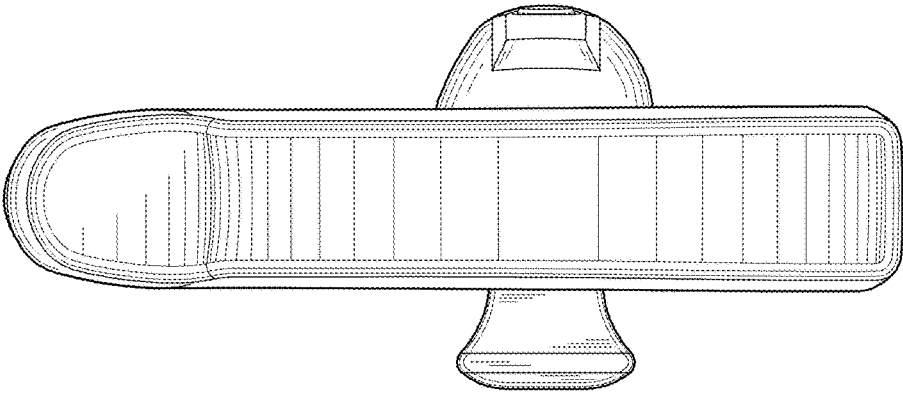


FIG. 3

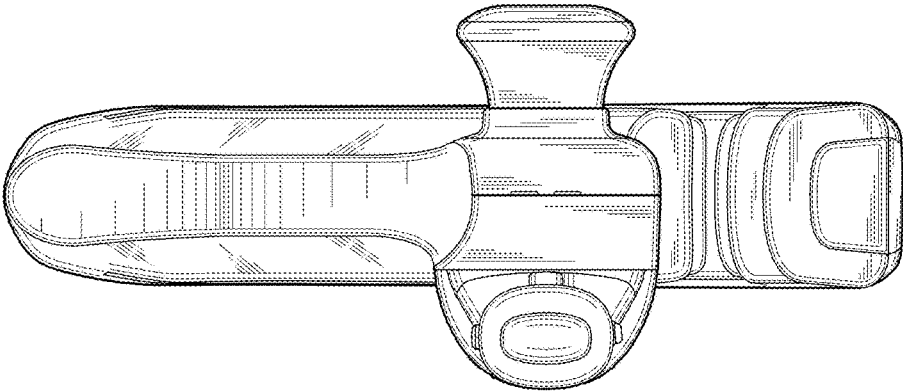


FIG. 2

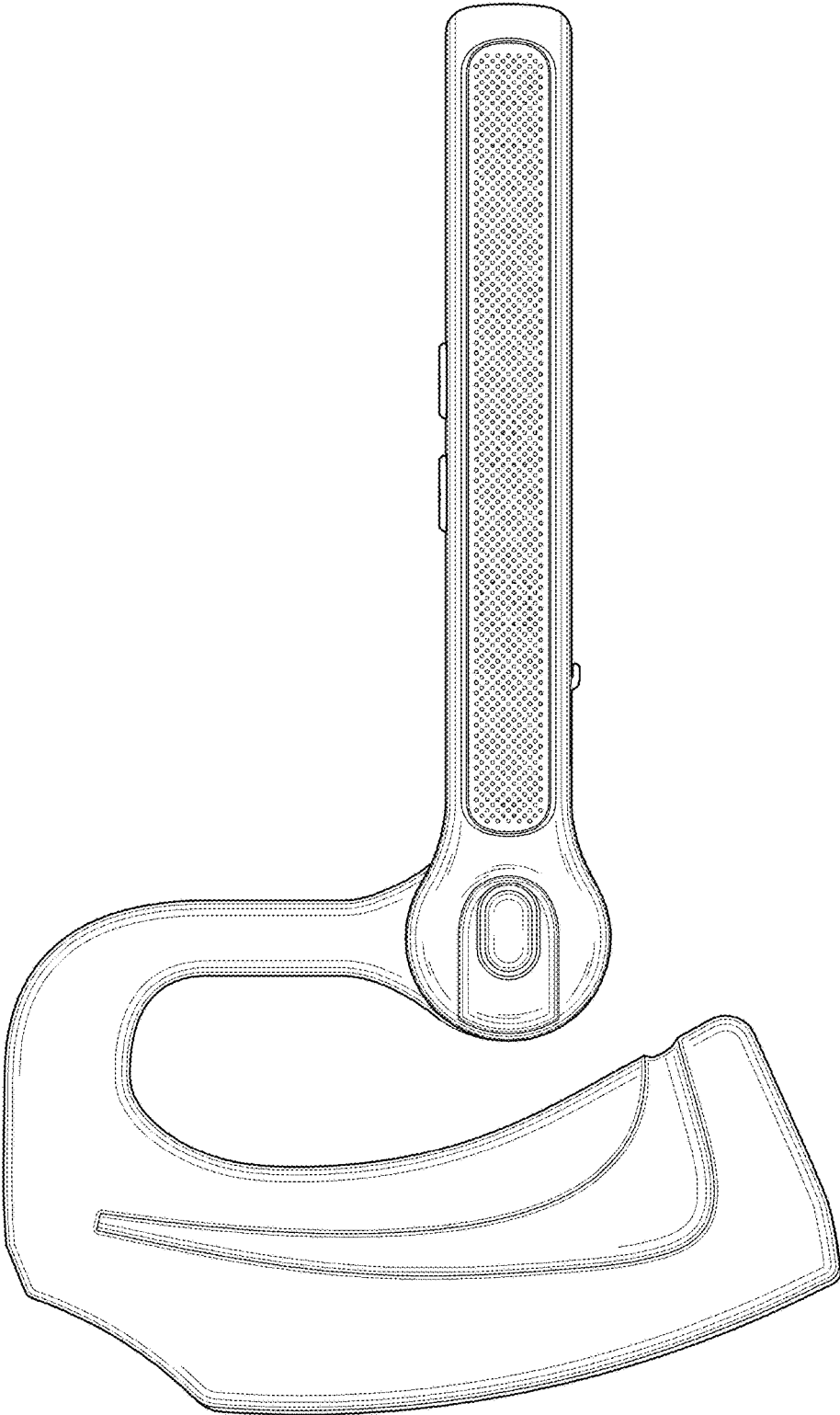


FIG. 4

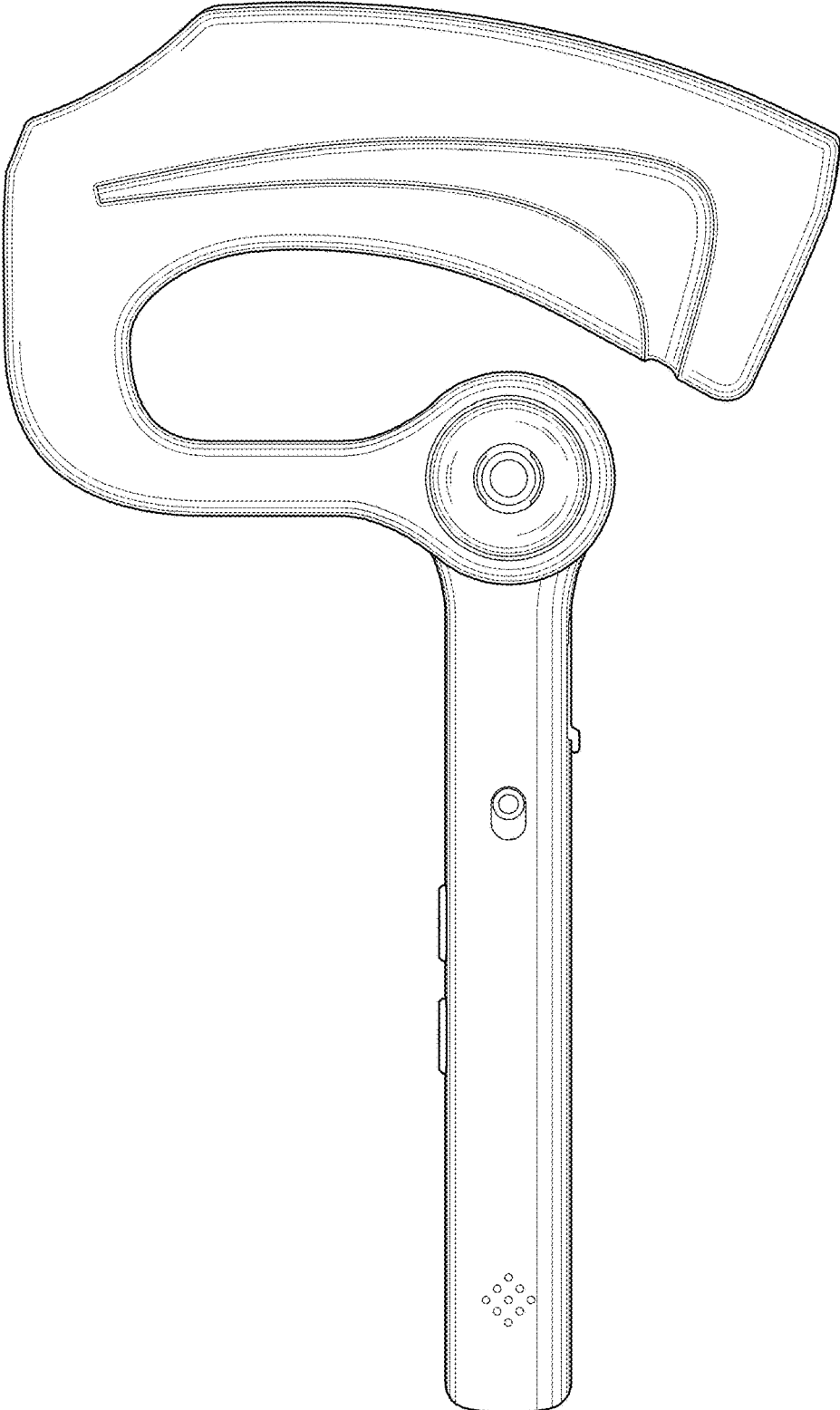


FIG. 5

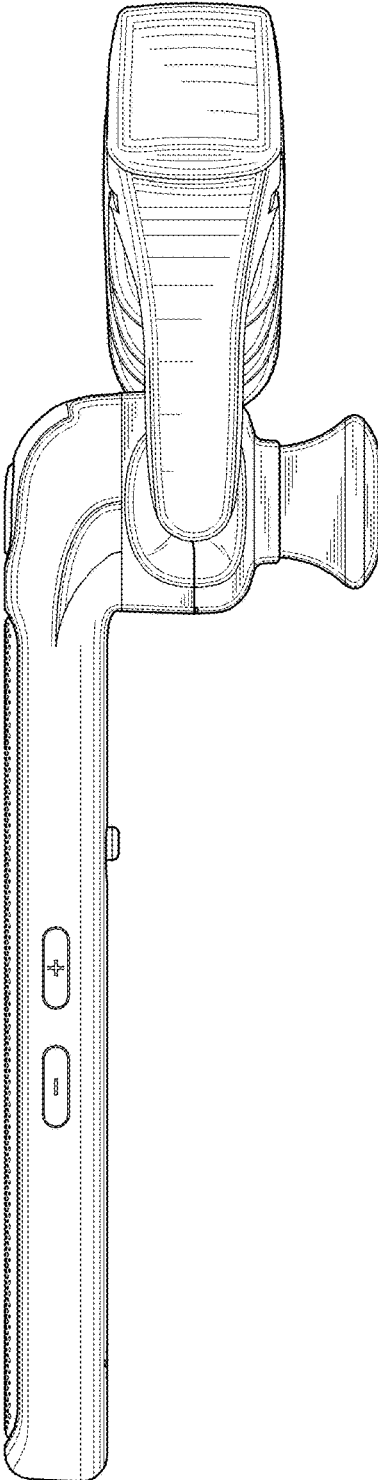


FIG. 6

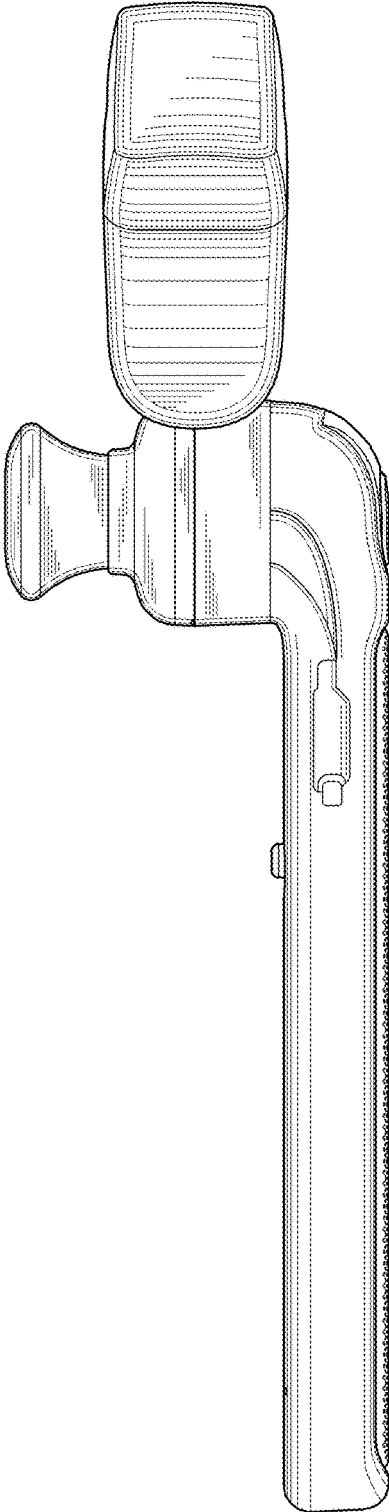


FIG. 7

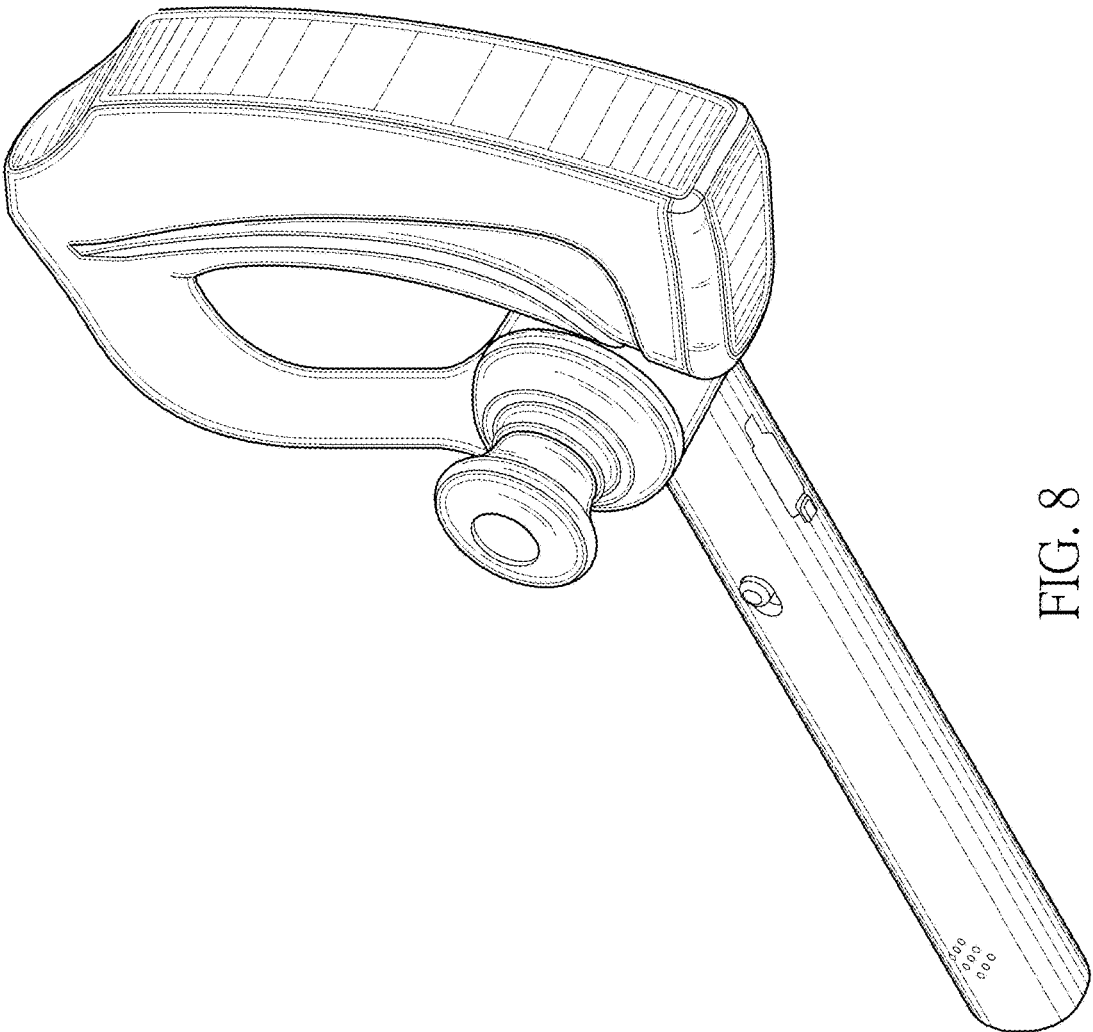


FIG. 8