



US00D992558S

(12) **United States Design Patent**
Wright et al.

(10) **Patent No.:** **US D992,558 S**

(45) **Date of Patent:** **** Jul. 18, 2023**

(54) **CASE FOR ELECTRONIC DEVICE**

(71) Applicant: **Catalyst Lifestyle Limited**, North Point (HK)

(72) Inventors: **Joshua Wright**, Hong Kong (CN);
June Lai, Hong Kong (CN)

(73) Assignee: **CATALYST LIFESTYLE LIMITED**, North Point (HK)

(**) Term: **15 Years**

(21) Appl. No.: **29/854,641**

(22) Filed: **Sep. 27, 2022**

Related U.S. Application Data

(62) Division of application No. 29/775,629, filed on Mar. 24, 2021, now Pat. No. Des. 969,815.

(51) **LOC (14) Cl.** **14-02**

(52) **U.S. Cl.** **D14/440**
USPC

(58) **Field of Classification Search**
USPC D14/440, 250, 447; 206/45.2, 45.23,
206/320; 361/679.55; 294/25; 224/218
CPC ... G06F 1/1628; G06F 1/1626; A47B 23/044;
H04B 1/3888

See application file for complete search history.

(56) **References Cited**

U.S. PATENT DOCUMENTS

D228,598 S	10/1973	Matthesis	
D232,869 S *	9/1974	Yoshimura	D3/217
D239,160 S	3/1976	Giberstein	
D287,336 S	12/1986	Roehrig	
4,907,694 A	3/1990	Miller	
D310,480 S	9/1990	Geiger	
D317,407 S	6/1991	Gray	
D322,752 S	12/1991	Zintzmeyer	
D323,292 S	1/1992	Jones	

D338,102 S	8/1993	McGuire	
D362,542 S	9/1995	Richards	
D369,465 S *	5/1996	Scheid	D3/218
D375,197 S	11/1996	Laherty	
D379,712 S *	6/1997	Khoo	D3/218
5,740,624 A	4/1998	Baseley	
D399,604 S	10/1998	Wolff	
D405,256 S	2/1999	Chacon	
D426,950 S	6/2000	Conway	
D427,424 S	7/2000	Conway	

(Continued)

FOREIGN PATENT DOCUMENTS

CN	304239640 S	8/2017
CN	304317772 S	10/2017

(Continued)

OTHER PUBLICATIONS

Kim1991tae. "AirPod Case Catalyst." Naver, Aug. 9, 2017. Web. <http://blog.naver.com/1kirnl991tae/221070237784>.

(Continued)

Primary Examiner — Katie Jane Stofko

(74) *Attorney, Agent, or Firm* — Dinsmore & Shohl LLP

(57) **CLAIM**

The ornamental design for a case for electronic device, as shown and described.

DESCRIPTION

FIG. 1 is a front, top and right side perspective view of a case for electronic device;

FIG. 2 is a front elevation view thereof;

FIG. 3 is a rear elevation view thereof;

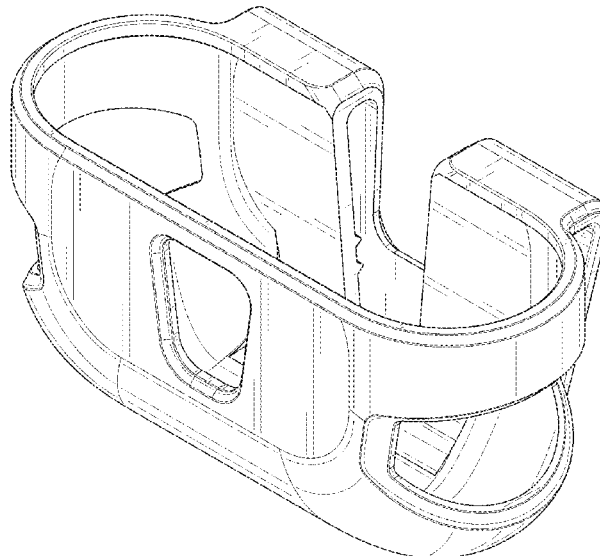
FIG. 4 is a left side elevation view thereof;

FIG. 5 is a right side elevation view thereof;

FIG. 6 is a top plan view thereof; and,

FIG. 7 is a bottom plan view thereof.

1 Claim, 7 Drawing Sheets



(56)

References Cited

U.S. PATENT DOCUMENTS

6,305,538	B1	10/2001	Jackson		D829,192	S	9/2018	Liu	
D467,799	S	12/2002	Persson		D831,002	S	10/2018	Distefano	
D475,282	S	6/2003	Snaith		D837,783	S	* 1/2019	Wang	D14/344
D475,696	S	6/2003	Hussaini		D838,480	S	1/2019	Son	
D493,257	S	7/2004	McCorkindale		D841,580	S	2/2019	Bao	
D493,576	S	7/2004	Ward		D841,581	S	2/2019	Bonahoom	
6,817,470	B1	11/2004	Goldberg		D846,264	S	4/2019	Wu	
D520,001	S	5/2006	Katayama		D849,401	S	5/2019	Akana	
D527,227	S	* 8/2006	Bertulis	D7/629	D850,224	S	6/2019	James	
D528,012	S	9/2006	Snyder		D850,365	S	6/2019	Loermann	
D531,618	S	11/2006	Kenemer		D853,116	S	7/2019	Bergman	
D542,664	S	5/2007	Mayers		D853,357	S	7/2019	Li	
D548,970	S	8/2007	Huang		D857,378	S	* 8/2019	Cadogan	D3/218
D553,077	S	10/2007	Kim		D862,416	S	10/2019	Czaniecki	
D554,364	S	11/2007	Rugg		D862,425	S	10/2019	Yan	
D556,571	S	12/2007	Jalet		D862,435	S	10/2019	Kwak	
7,347,325	B2	3/2008	O'Neill		D864,110	S	10/2019	Yoshimura	
D566,484	S	4/2008	George		D864,971	S	10/2019	Lee	
D586,557	S	2/2009	Jalet		D865,717	S	11/2019	Wang	
D592,400	S	5/2009	Nelson		D866,167	S	* 11/2019	Chudy	D3/217
D594,659	S	6/2009	Lown		D866,957	S	* 11/2019	Ross	D3/218
D595,952	S	7/2009	Nussberger		D868,453	S	12/2019	Lee	
D596,393	S	7/2009	Leung		D868,465	S	12/2019	Lee	
D599,546	S	9/2009	Lown		D869,147	S	12/2019	Lian	
D600,913	S	9/2009	Kalbach		D869,161	S	12/2019	Zhong	
7,584,841	B2	9/2009	Chan		D869,163	S	12/2019	Maguire	
D601,366	S	10/2009	Barabas		D870,037	S	12/2019	Lee	
D604,501	S	11/2009	Lee		D870,451	S	12/2019	Birger	
D606,307	S	12/2009	Gauss		D872,094	S	1/2020	Wright	
D614,400	S	* 4/2010	Simonian	D3/217	D872,468	S	1/2020	Lee	
7,855,529	B2	12/2010	Liu		D872,469	S	1/2020	Lee	
D634,115	S	3/2011	Long, Jr.		D872,723	S	1/2020	Lee	
D637,647	S	5/2011	Allison		D872,724	S	1/2020	Lee	
D642,159	S	7/2011	Joseph		D873,217	S	1/2020	Zhang	
D648,980	S	11/2011	Forti		D874,826	S	2/2020	Zhang	
D649,347	S	* 11/2011	Smith	D3/218	D877,137	S	* 3/2020	Engerman	D14/253
D666,821	S	9/2012	Phillips		D878,045	S	3/2020	Akana	
D666,824	S	9/2012	Phillips		D878,754	S	3/2020	Lee	
D666,826	S	9/2012	Phillips		D881,179	S	4/2020	Wright	
D670,497	S	11/2012	Phillips		D881,180	S	4/2020	Wright	
D672,642	S	12/2012	Supranowicz		D881,181	S	4/2020	Wright	
D674,688	S	1/2013	Loftin		D881,572	S	4/2020	Wang	
D677,888	S	3/2013	Sogabe		D883,755	S	* 5/2020	Nicholson	D34/27
8,399,764	B2	3/2013	Klosky		D886,445	S	6/2020	Hyun	
D681,613	S	5/2013	Magness		D888,037	S	6/2020	Wright	
D692,664	S	11/2013	Rashid		D888,038	S	6/2020	Wright	
D708,784	S	7/2014	Kim		D888,039	S	6/2020	Wright	
D718,741	S	12/2014	Lui		D888,040	S	6/2020	Wright	
D718,750	S	12/2014	Young		D888,041	S	6/2020	Wright	
D720,096	S	12/2014	McDougall		D888,042	S	6/2020	Wright	
8,961,015	B1	2/2015	Bihn		D888,043	S	6/2020	Wright	
D723,461	S	3/2015	Chen		D890,765	S	7/2020	Lee	
9,125,478	B2	* 9/2015	Li	A45F 3/047	D892,497	S	8/2020	Wright	
D748,606	S	2/2016	Abayomi		D892,498	S	8/2020	Wright	
D757,685	S	5/2016	Park		D893,166	S	8/2020	Lu	
D759,632	S	6/2016	Fischer		D894,156	S	8/2020	Pai	
D759,867	S	6/2016	Grandadam		D895,287	S	9/2020	Hyun	
D766,215	S	9/2016	Mackiewicz		D895,288	S	9/2020	Hyun	
D766,905	S	9/2016	Lee		D904,760	S	12/2020	Hyun	
D769,879	S	10/2016	Kim		D908,084	S	1/2021	He	
D775,818	S	1/2017	Ingraham		D911,706	S	3/2021	Hyun	
D777,331	S	1/2017	Jayalath		D911,711	S	* 3/2021	Feng	D3/294
D777,530	S	* 1/2017	Marret	D7/629	D914,604	S	3/2021	Wang	
D780,740	S	3/2017	Kim		D914,690	S	* 3/2021	Wengreen	D14/447
D790,510	S	6/2017	Xiao		D918,174	S	5/2021	Czaniecki	
D794,617	S	8/2017	Wright		D918,579	S	5/2021	Youn	
D794,618	S	8/2017	Wright		D920,235	S	5/2021	Liu	
D801,346	S	10/2017	Oberpriller		D920,662	S	* 6/2021	Youn	D3/218
D806,388	S	1/2018	Akana		11,039,523	B2	6/2021	Wang	
D808,641	S	* 1/2018	Clover	D3/218	D924,560	S	7/2021	Hyun	
D808,791	S	1/2018	Johnston		D924,716	S	* 7/2021	Wright	D14/440
D818,268	S	5/2018	Akana		D926,470	S	8/2021	Luo	
D823,311	S	7/2018	Oberpriller		D927,181	S	8/2021	Jung	
D824,366	S	7/2018	Luo		D928,165	S	8/2021	Li	
D826,152	S	8/2018	Christiansen		D929,879	S	9/2021	Paschke	
					D931,268	S	9/2021	Wright	
					D932,462	S	10/2021	Wu	
					D933,045	S	10/2021	Jin	
					D933,602	S	10/2021	Zhang	

(56)

References Cited

U.S. PATENT DOCUMENTS

D934,563	S	11/2021	Xiang	
D934,869	S	11/2021	Wright	
D935,179	S	11/2021	Liu	
D935,180	S	11/2021	Zhang	
D936,361	S	11/2021	Chun	
D938,430	S	12/2021	Feng	
D939,212	S	12/2021	Saxton	
D940,798	S *	1/2022	Coughlan	A63B 21/4005 D21/683
D941,023	S	1/2022	Lee	
D941,762	S	1/2022	Ye	
D952,327	S	5/2022	Martilla	
D955,377	S *	6/2022	Iverson	D14/253
D969,815	S *	11/2022	Wright	D14/440
D974,330	S *	1/2023	Wright	D14/216
D975,716	S *	1/2023	Natsume	D14/454
2003/0218445	A1	11/2003	Behar	
2010/0176166	A1 *	7/2010	Siagri	A44C 5/14 224/271
2016/0063293	A1 *	3/2016	Sun	G06K 7/10891 235/470
2017/0094399	A1	3/2017	Chandramohan	
2018/0064224	A1	3/2018	Brzezinski	
2019/0372377	A1	12/2019	Weinstein	
2020/0100573	A1	4/2020	Ekelund	
2020/0304899	A1	9/2020	Cramer	
2021/0029424	A1	1/2021	Wright	
2021/0181012	A1	6/2021	Simmendinger	
2021/0345742	A1	11/2021	Wright	
2021/0376636	A1	12/2021	Takami	
2021/0377646	A1	12/2021	Luo	

FOREIGN PATENT DOCUMENTS

CN	304335071	S	10/2017
CN	304342633	S	11/2017
CN	304344793		11/2017

CN	304362692	S	11/2017
CN	304382968		12/2017
CN	304493923		2/2018
CN	304504641	S	2/2018
GB	6089804		5/2020
GB	6111653		1/2021
JP	D1674536	S	12/2020
KR	301103925.0000		6/2021

OTHER PUBLICATIONS

Klipsch TS II True Wireless Sport Earphones in Black with Dust/Waterproof Case, announced Jul. 13, 2021 [online], retrieved Jan. 28, 2022, retrieved from internet, <https://www.ubuy.co.id/en/product/D29P6JM-klipsch-t5-ii-true-wireless-sport-earphones-black>.

Pelican Protector, announced Dec. 24, 2020 [online], retrieved Jan. 28, 2022, retrieved from Internet, <https://case-mate.com/products/pelican-protector-airpods-co?currency=US&variant=34430702354568>.

This Airpods Accessory is strangely awesome—Catalyst AirPods Case, publication date Apr. 7, 2017, [online][site visited Sep. 9, 2019] URL: <https://www.cnet.com/news/coming-soon-a-waterproof-case-for-your-airpods-case/> (Year 2017).

This glow-in-the-dark, waterproof AirPods case-Catalist AirPods Case, publication date Apr. 14, 2017, [online][site visited Sep. 9, 2019] URL: <https://www.theverge.com/circuitbreaker/2017/4/14/15306100/catalyst-case-airpods-sale-glow-in-the-dark> (Year: 2017).

Waterproof and Drop Proof Case for Beats Studio Buds, announced © 2022 [online], retrieved Jan. 28, 2022, retrieved from internet, <https://www.catalystlifestyle.com/products/waterproof-and-drop-proof-case-for-beats-studio-buds?variant=39614953455725>.

Waterproof Case for Google Pixel Buds 2, announced © 2022 [online], retrieved Jan. 28, 2022, retrieved from internet, <https://www.catalystlifestyle.com/collections/google/products/waterproof-case-for-google-pixel-buds-2?variant=32716947325037>.

* cited by examiner

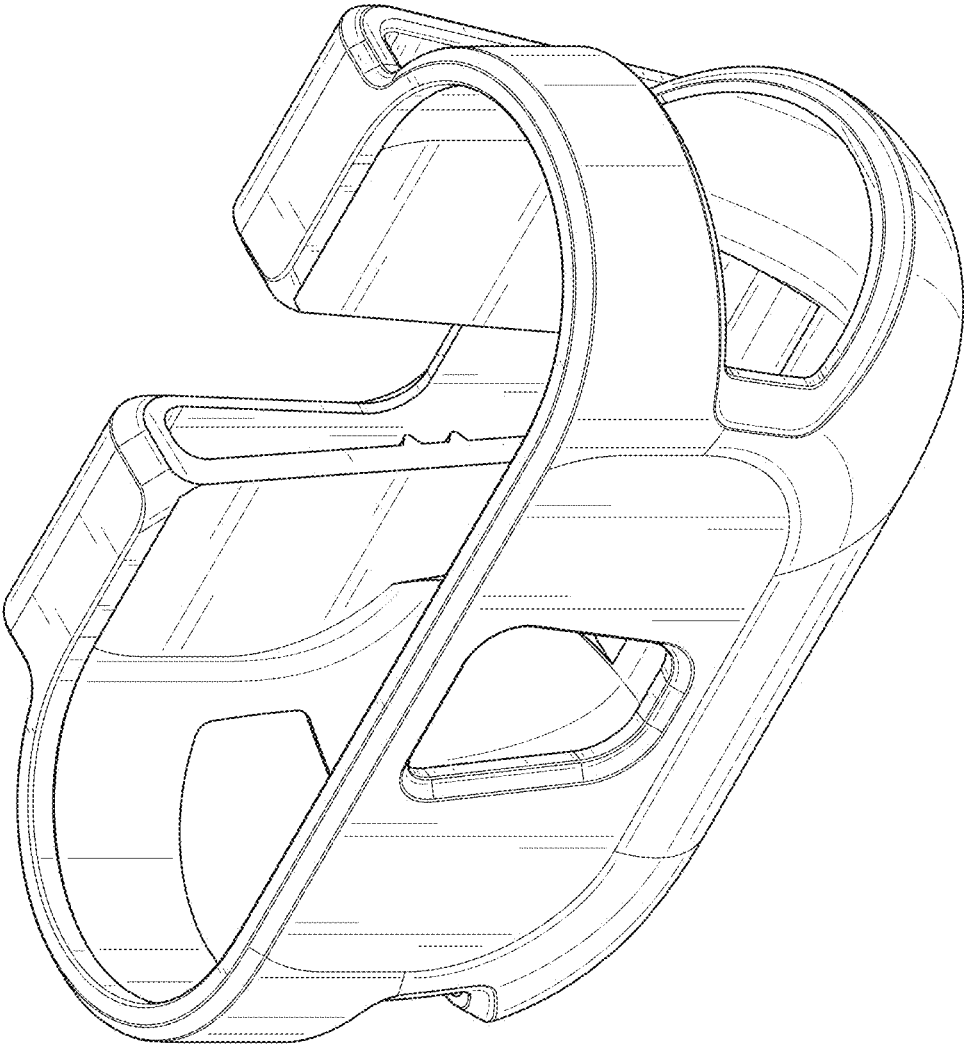


FIG. 1

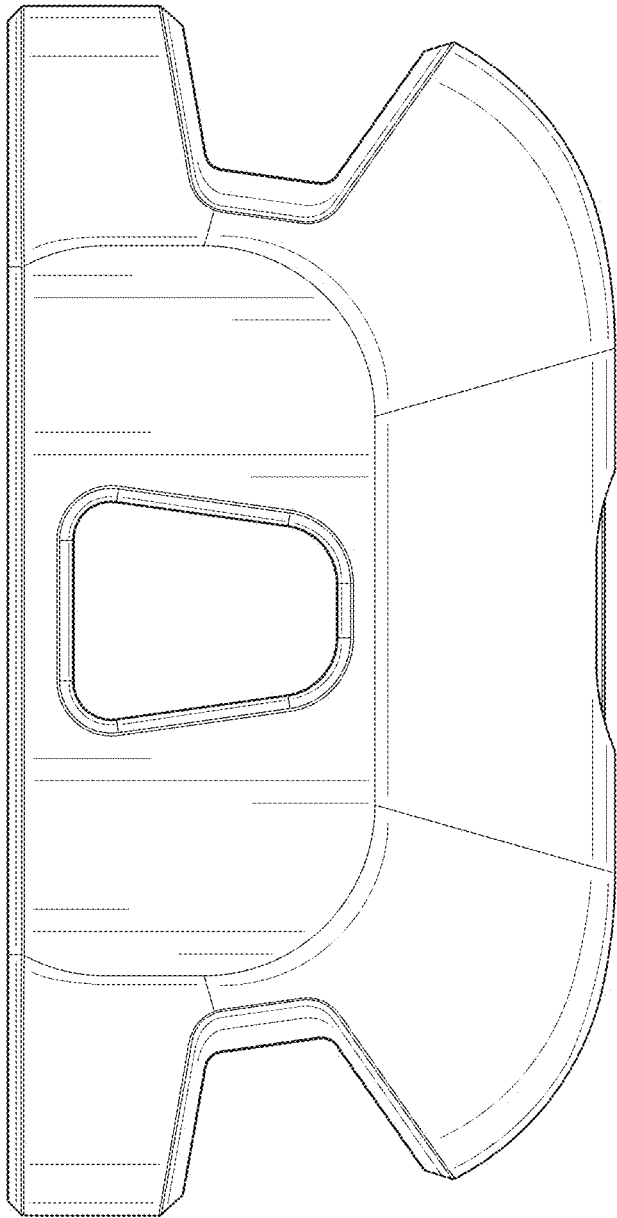


FIG. 2

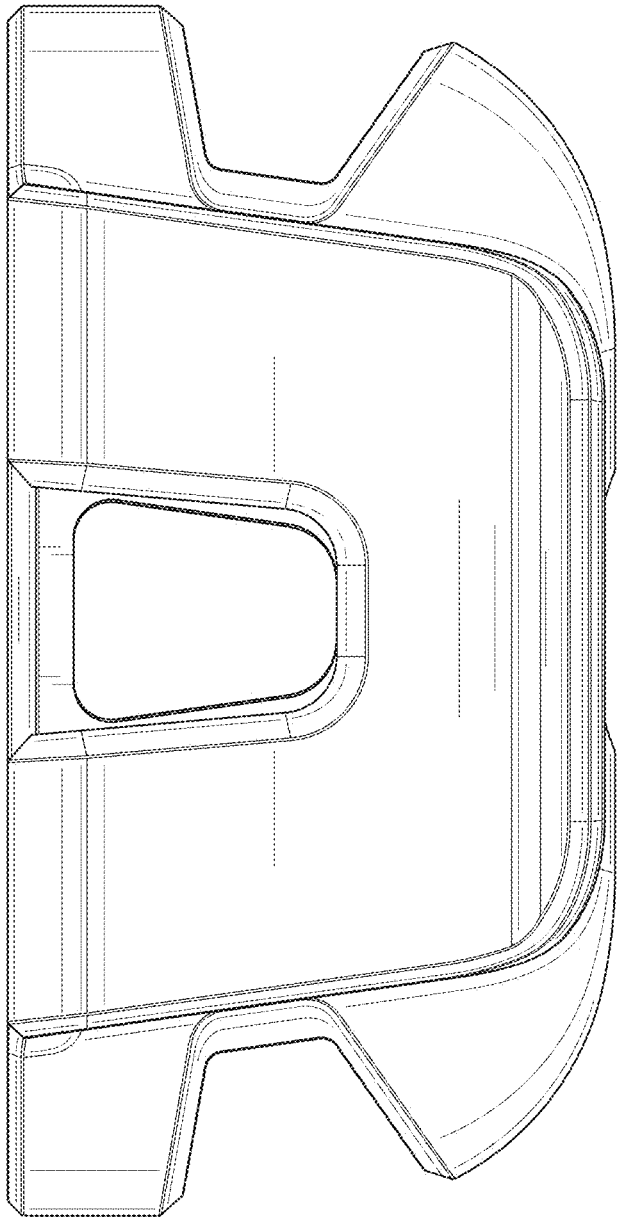


FIG. 3

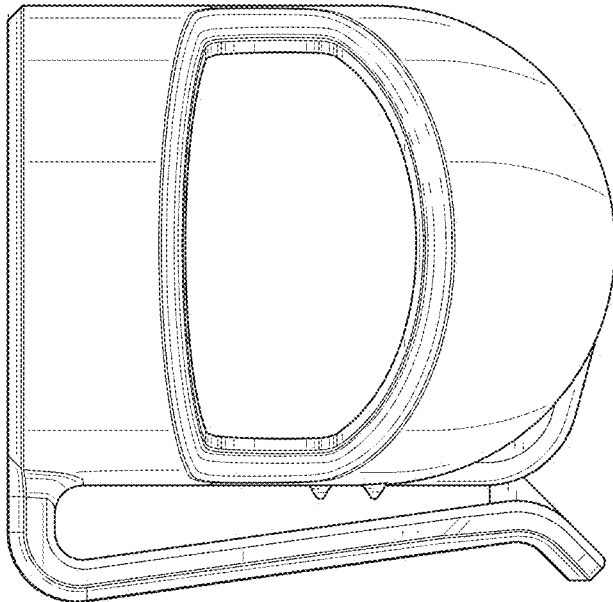


FIG. 4

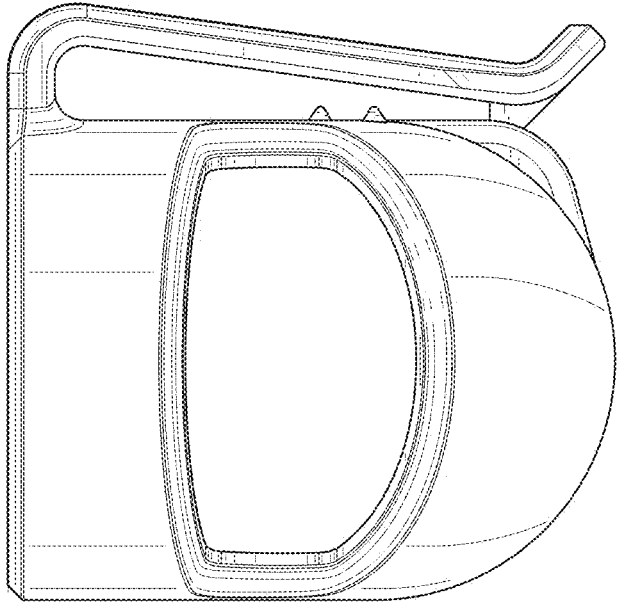


FIG. 5

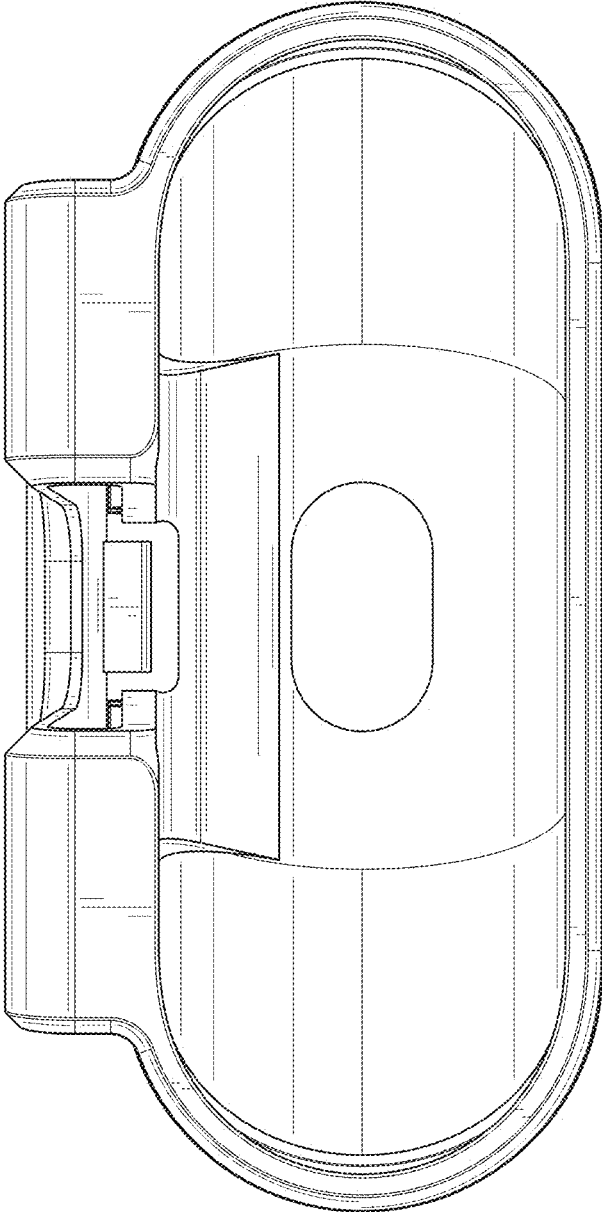


FIG. 6

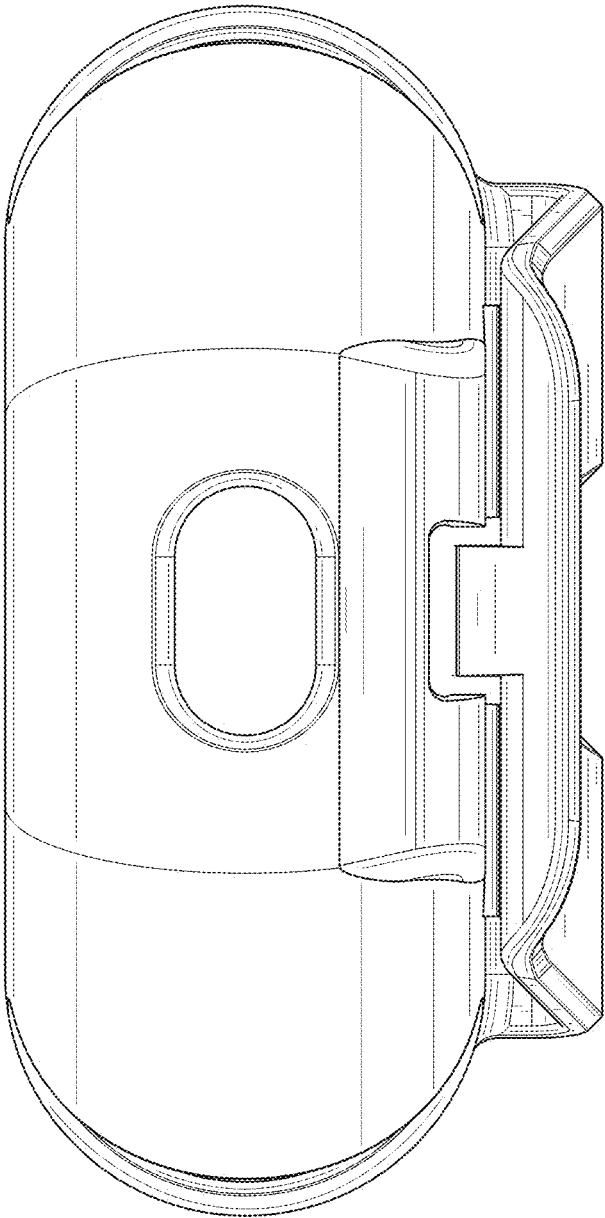


FIG. 7