



US00D357773S

United States Patent [19]

[11] Patent Number: Des. 357,773

Wareham et al.

[45] Date of Patent: ** Apr. 25, 1995

[54] **COMBINED WET AND DRY VACUUM CLEANER**

[75] Inventors: **Richard A. Wareham**, North Canton; **Ronald J. Stephens**, Rittman; **David W. Moine**, North Canton, all of Ohio

D. 324,930 3/1992 Pino D32/23
 D. 334,376 2/1994 Worwag D32/23
 D. 338,294 8/1993 Kohler D32/23
 3,570,222 5/1969 Dudek et al. 55/472
 3,775,951 12/1973 Eicholz et al. 55/417
 4,654,926 4/1987 McCambridge 15/327

[73] Assignee: **The Hoover Company**, North Canton, Ohio

OTHER PUBLICATIONS

Montgomery Ward Cat, Fall & Winter 1975, p. 695, "Wet/Dry Vacuum Cleaners".
 Best Products Cat, 1981/82, p. 199. "Item 5-7 Vac. Cleaners".
 Sears 1983, Spring & Summer, p. 839. "Items 4-5 Wet-Dry vac. cleaners".

[**] Term: **14 Years**

Primary Examiner—Ruth McInroy

[21] Appl. No.: **8,595**

[22] Filed: **May 19, 1993**

[52] U.S. Cl. **D32/23**

[58] Field of Search **D32/21, 23-24; 15/320, 321, 323, 327.1-327.7, 353, 246.5**

[57] CLAIM

The ornamental design for a combined wet and dry vacuum cleaner, as shown and described.

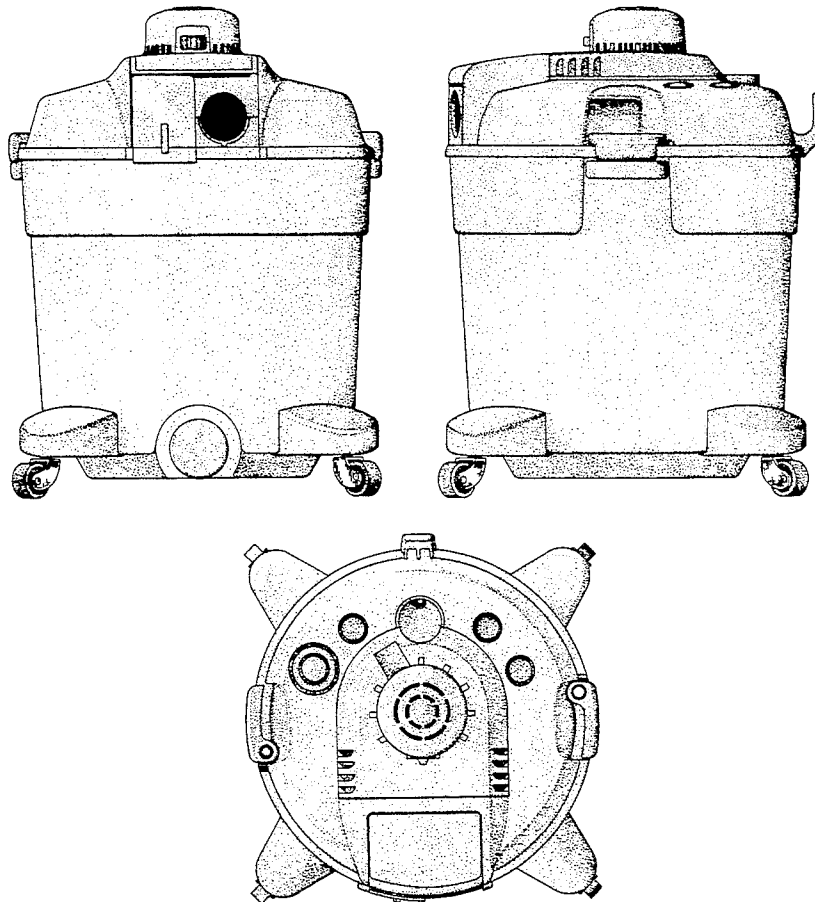
[56] References Cited

U.S. PATENT DOCUMENTS

D. 208,398 8/1967 Otto et al. D32/16
 D. 255,357 6/1980 Brooks et al. D32/23
 D. 261,515 10/1981 Schaefer et al. D32/23
 D. 280,768 9/1985 Ferraris et al. D32/23
 D. 286,336 10/1986 Berfield D32/23
 D. 287,658 1/1987 Berfield et al. D32/23
 D. 287,895 1/1987 Berfield et al. D32/25
 D. 294,879 3/1988 Berfield D32/31

DESCRIPTION

FIG. 1 is a front elevational view of a combined wet and dry vacuum cleaner showing our new design; FIG. 2 is a left side elevational view thereof; FIG. 3 is a top plan view thereof; FIG. 4 is a bottom plan view thereof; and, FIG. 5 is a rear elevational view thereof.



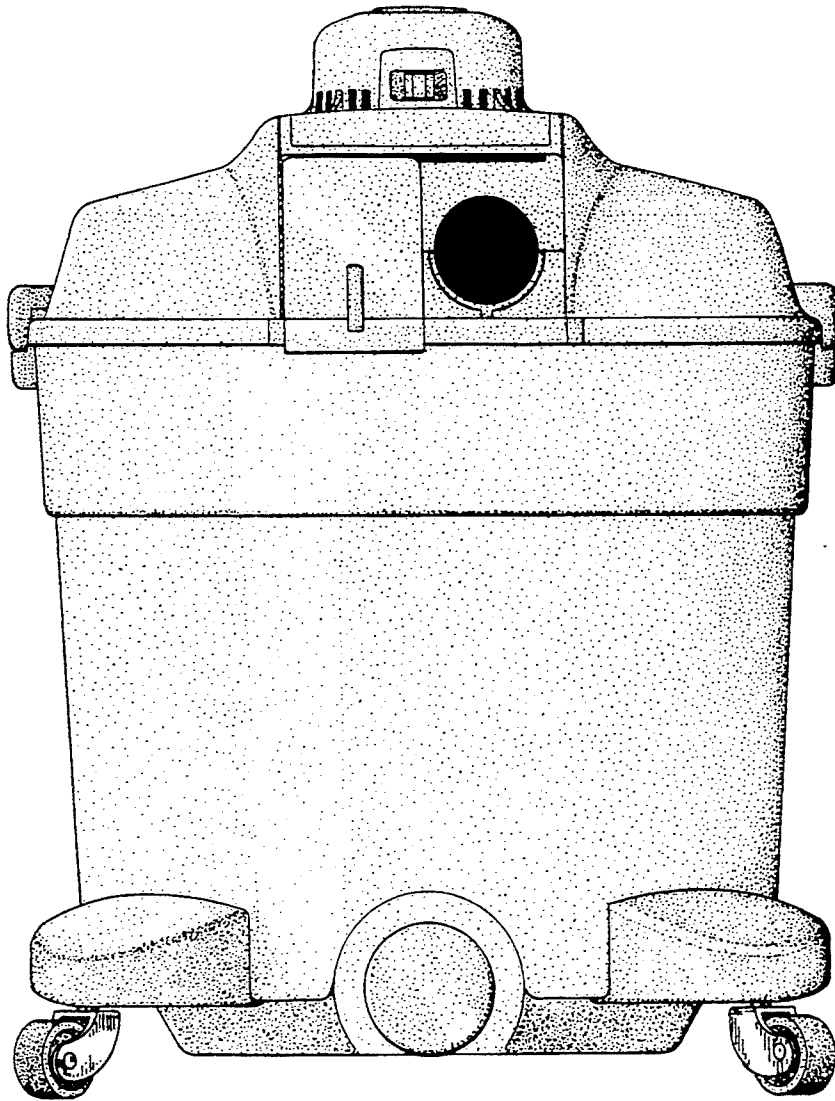


FIG. - I

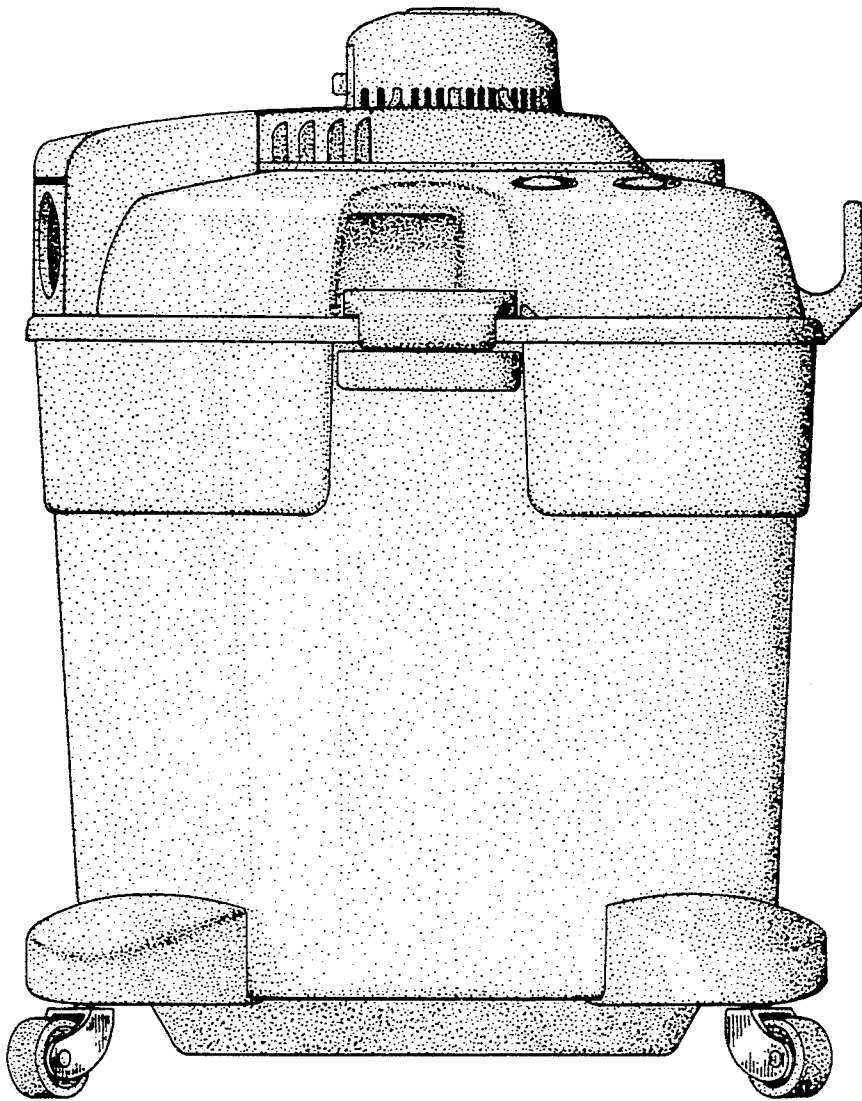


FIG. - 2

FIG.-3

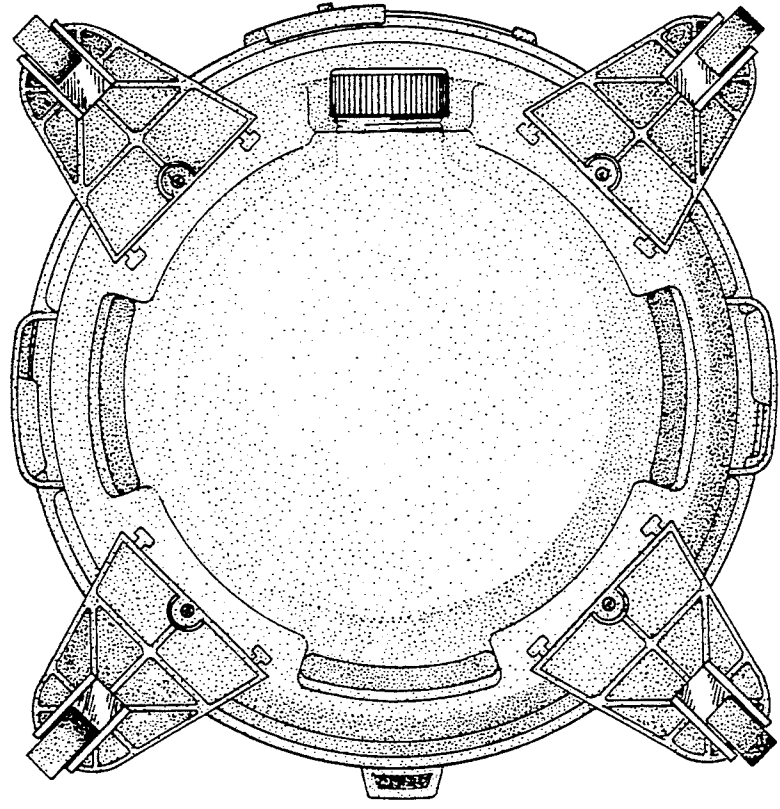
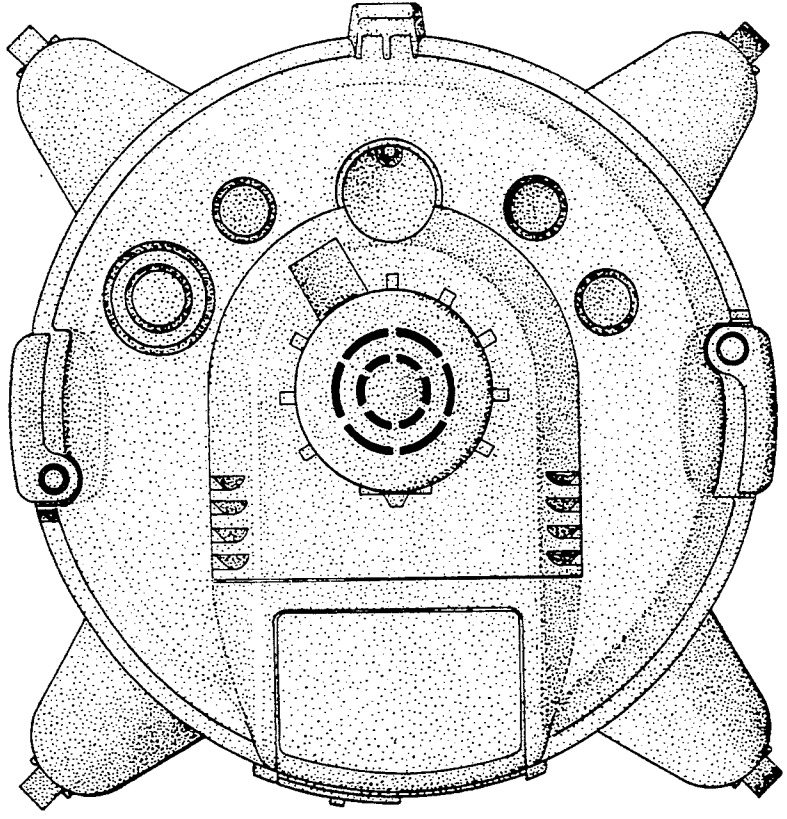


FIG.-4

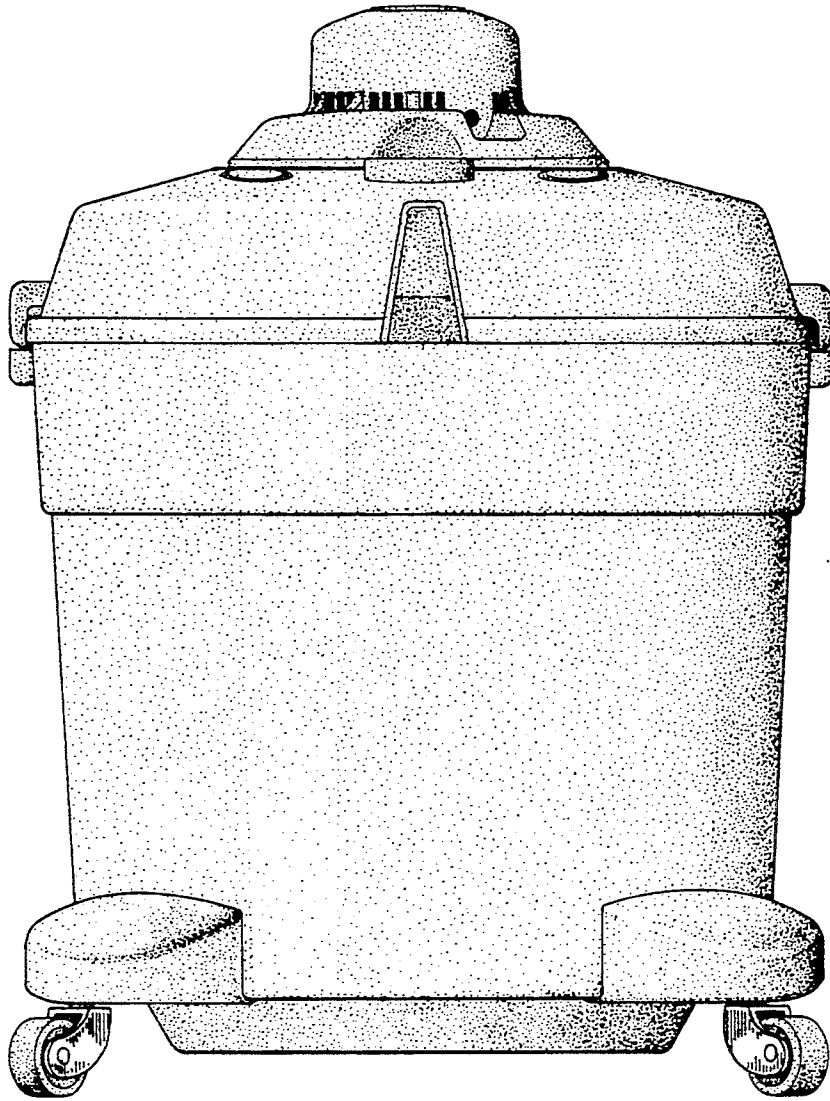


FIG. - 5