



US00D462596S

(12) **United States Design Patent** (10) **Patent No.:** **US D462,596 S**  
**Frühm** (45) **Date of Patent:** **\*\* Sep. 10, 2002**

(54) **SCREWDRIVER BIT**

(76) Inventor: **Hermann Frühm**, Unit 102, 360 Edworthy Way, New Westminster, B.C. (CA), V3L 5G5

(\*\*) Term: **14 Years**

(21) Appl. No.: **29/145,327**

(22) Filed: **Jul. 23, 2001**

**Related U.S. Application Data**

(63) Continuation-in-part of application No. 29/132,488, filed on Nov. 13, 2000, now Pat. No. Des. 445,325.

(30) **Foreign Application Priority Data**

May 12, 2000 (CA) ..... 2000-1246

(51) **LOC (7) Cl.** ..... **08-04**

(52) **U.S. Cl.** ..... **D8/86**

(58) **Field of Search** ..... D8/82, 83, 84, D8/86; 81/436, 438, 439, 471, 900

(56) **References Cited**

**U.S. PATENT DOCUMENTS**

5,309,798	A	*	5/1994	Markwart et al.	81/438
D405,672	S	*	2/1999	Wirths	D8/86
5,868,047	A	*	2/1999	Faust et al.	81/438
D410,372	S	*	6/1999	Strauch	D8/86
5,953,969	A	*	9/1999	Rosenhan	81/436
D431,768	S	*	10/2000	Feik	D8/86

**OTHER PUBLICATIONS**

Stanley Joretech Catalogue 1999.  
Suretorq Catalogue.  
Sunbits Fastener Tools Catalogue.  
Schraubwerkzeuge Bits and Tools 2000 Catalogue.

\* cited by examiner

*Primary Examiner*—Philip S. Hyder

(74) *Attorney, Agent, or Firm*—Oyen Wiggs Green & Mutala

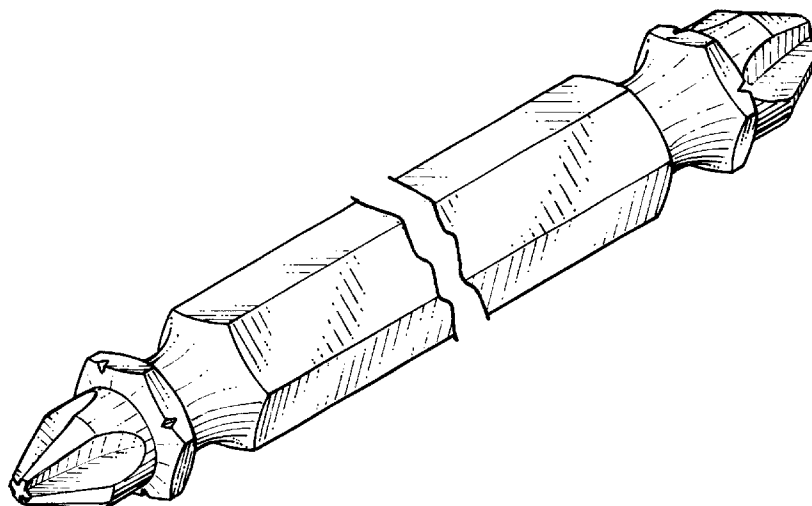
(57) **CLAIM**

The ornamental design for a screwdriver bit, as shown and described.

**DESCRIPTION**

FIG. 1 is a left side perspective view of the first variant of the design, having cross slot-type tips; FIG. 2 is a front side elevational view thereof, the back side elevational view being a mirror image thereof; FIG. 3 is a top plan view thereof, the bottom plan view being a mirror image thereof; FIG. 4 is a left end elevational view thereof; FIG. 5 is a right end elevational view thereof; FIG. 6 is a left side perspective view of the second variant of the design, having slot-type tips; FIG. 7 is a front side elevational view of the second variant of the design, the back side elevational view being a mirror image thereof; FIG. 8 is a top plan view of the second variant of the design, the bottom plan view being a mirror image thereof; FIG. 9 is a left end elevational view of the second variant of the design; FIG. 10 is a right end elevational view of the second variant of the design; FIG. 11 is a left side perspective view of the third variant of the design, having star-type tips; FIG. 12 is a front side elevational view of the third variant of the design, the backside elevational view being a mirror image thereof; FIG. 13 is a top plan view of the third variant of the design, the bottom plan view being a mirror image thereof; FIG. 14 is a left end elevational view of the third variant of the design; and, FIG. 15 is a right end elevational view of the third variant of the design.  
The screwdriver bit is shown broken away to indicate indeterminate length.

**1 Claim, 3 Drawing Sheets**



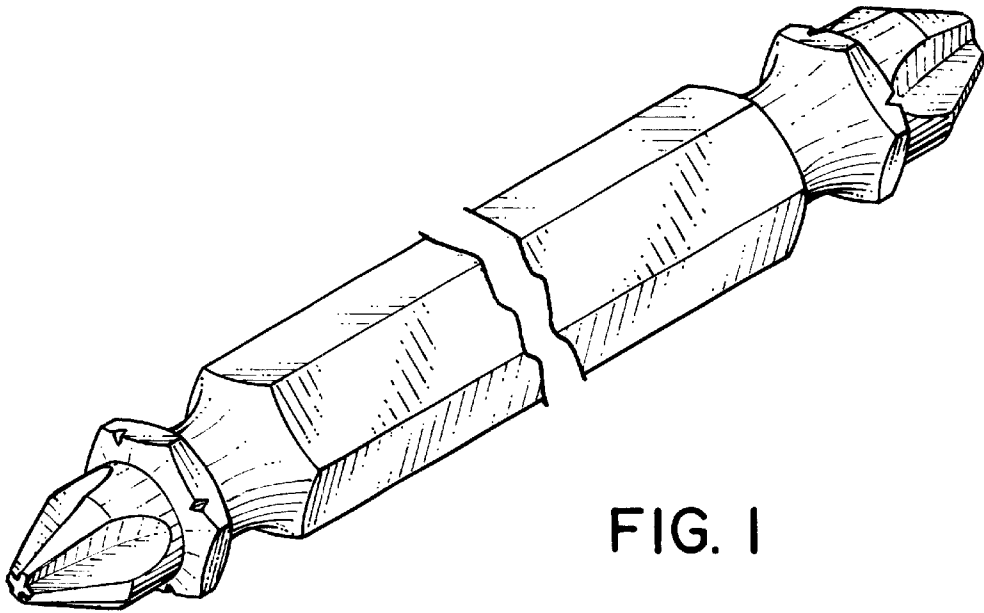


FIG. 1

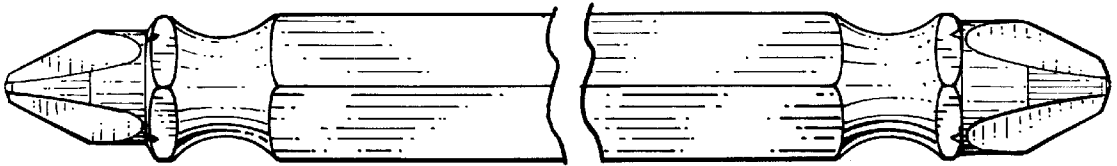


FIG. 2

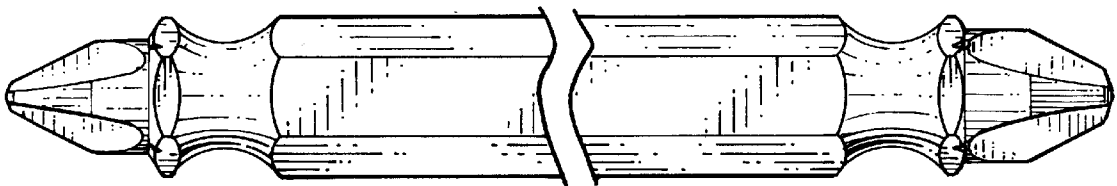


FIG. 3

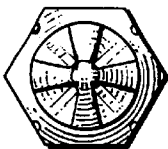


FIG. 4

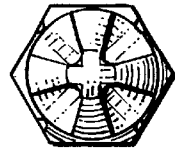


FIG. 5

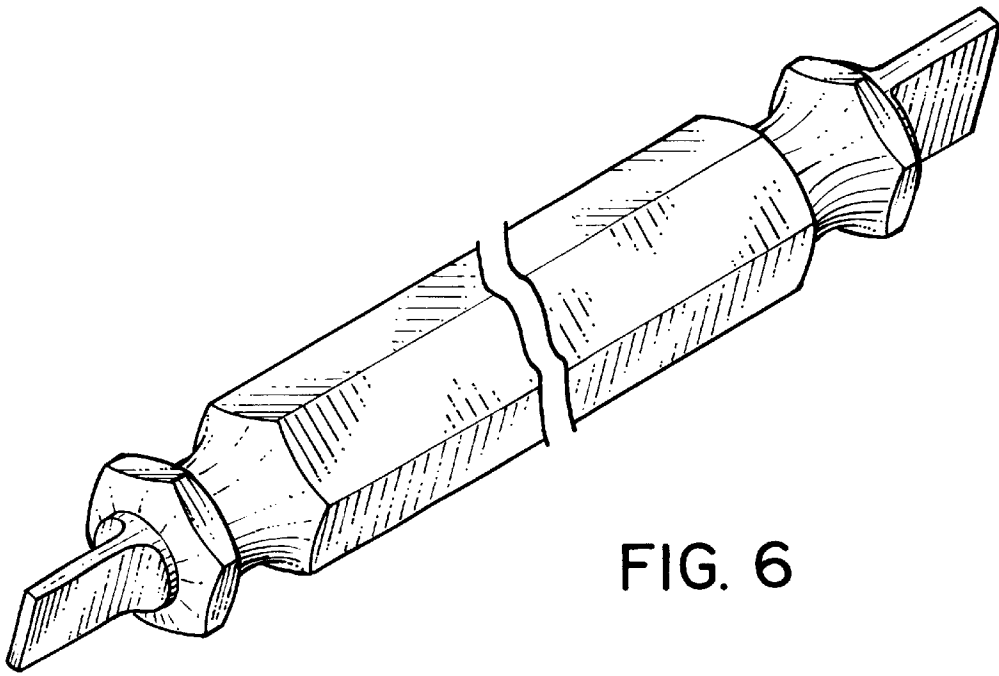


FIG. 6

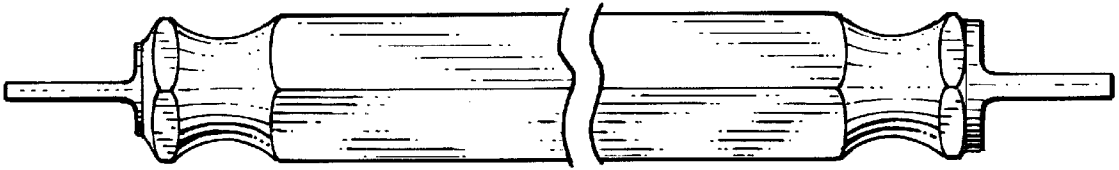


FIG. 7

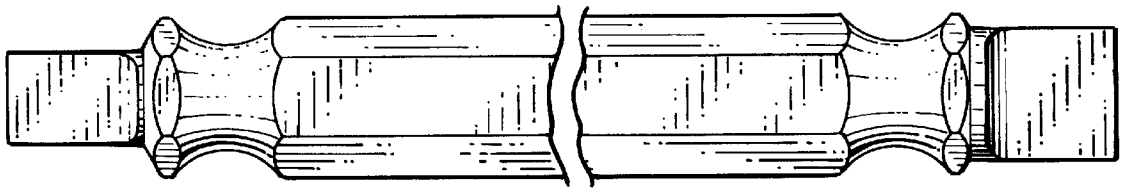


FIG. 8



FIG. 9



FIG. 10

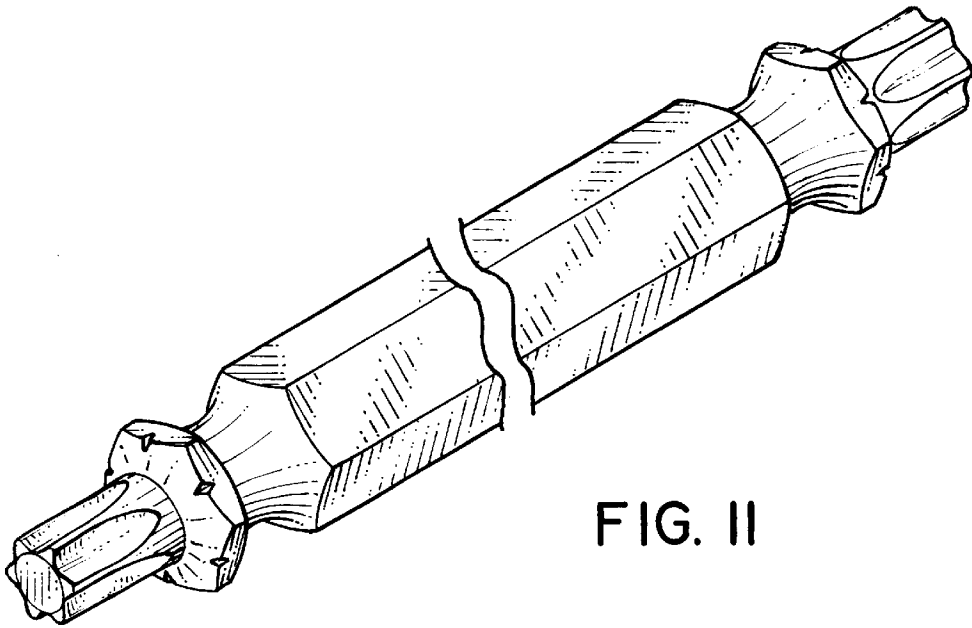


FIG. II

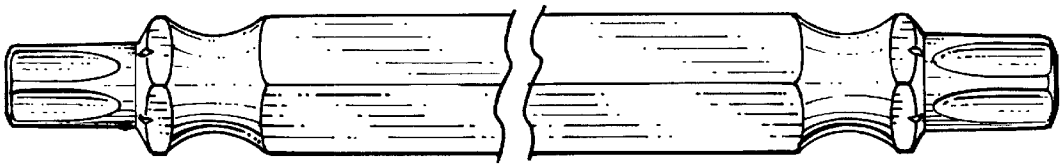


FIG. 12



FIG. 13

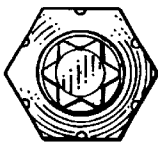


FIG. 14



FIG. 15