



US00D780892S

(12) **United States Design Patent**
Carlson et al.

(10) **Patent No.:** **US D780,892 S**

(45) **Date of Patent:** **** Mar. 7, 2017**

- (54) **SPRAY GUN**
- (71) Applicant: **Graco Minnesota Inc.**, Minneapolis, MN (US)
- (72) Inventors: **Brett J. Carlson**, Rogers, MN (US); **Robert J. Gundersen**, Otsego, MN (US); **Steven D. Becker**, Blaine, MN (US); **August F. Legatt**, Maple Lake, MN (US)
- (73) Assignee: **Graco Minnesota Inc.**, Minneapolis, MN (US)

D504,816	S	*	5/2005	Chien	D23/213
D552,213	S	*	10/2007	Schmon	D23/226
D588,231	S	*	3/2009	Pellin	D23/213
D692,095	S	*	10/2013	Hines	D23/225
D697,584	S	*	1/2014	Schmon	D23/226
D704,300	S	*	5/2014	Li	D23/225
D720,041	S	*	12/2014	Robinson	D23/226
D745,636	S	*	12/2015	Lin	D23/226
D770,593	S	*	11/2016	Gehrung	D23/226
2007/0215721	A1	*	9/2007	Gohring	B05B 7/2408 239/340
2007/0221753	A1	*	9/2007	Gohring	B05B 7/2408 239/340
2012/0187220	A1	*	7/2012	Micheli	B05B 7/067 239/461
2015/0034740	A1	*	2/2015	Su	B05B 12/002 239/526
2015/0231655	A1	*	8/2015	Adams	B05B 9/01 427/421.1

(**) Term: **15 Years**

(21) Appl. No.: **29/552,525**

(22) Filed: **Jan. 22, 2016**

(51) **LOC (10) Cl.** **23-01**

(52) **U.S. Cl.**
USPC **D23/226**

(58) **Field of Classification Search**
USPC D23/223, 200, 208, 209, 225, 226, 207, D23/213; 219/232, 497; D5/32, 37
CPC .. B05B 1/18; B05B 1/20; B05B 1/205; B01D 17/00; B01D 61/025; B01D 63/30; C02F 1/441; C02F 1/003; A47K 5/06; B67D 7/0205

See application file for complete search history.

(56) **References Cited**

U.S. PATENT DOCUMENTS

D341,186	S	*	11/1993	Albers	D23/225
D376,637	S	*	12/1996	Kieffer	D23/223
D409,719	S	*	5/1999	Kaneko	D23/226
D457,599	S	*	5/2002	Karwoski	D23/226
D479,305	S	*	9/2003	Zittel	D23/226
D482,430	S	*	11/2003	Jou	D23/223

* cited by examiner

Primary Examiner — Robin V Webster

Assistant Examiner — Rachel Voorhies

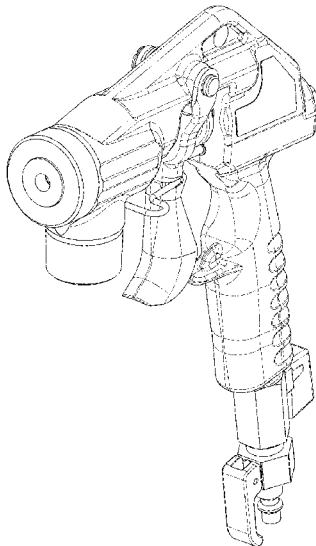
(57) **CLAIM**

The ornamental design for a spray gun, as shown and described.

DESCRIPTION

FIG. 1 is a front left isometric view of a spray gun; FIG. 2 is a right isometric view thereof; FIG. 3 is a left isometric view thereof; FIG. 4 is a left side view thereof; FIG. 5 is a back side view thereof; FIG. 6 is a front side view thereof; FIG. 7 is a right side view thereof; FIG. 8 is a top view thereof; and, FIG. 9 is a bottom view thereof.

1 Claim, 7 Drawing Sheets



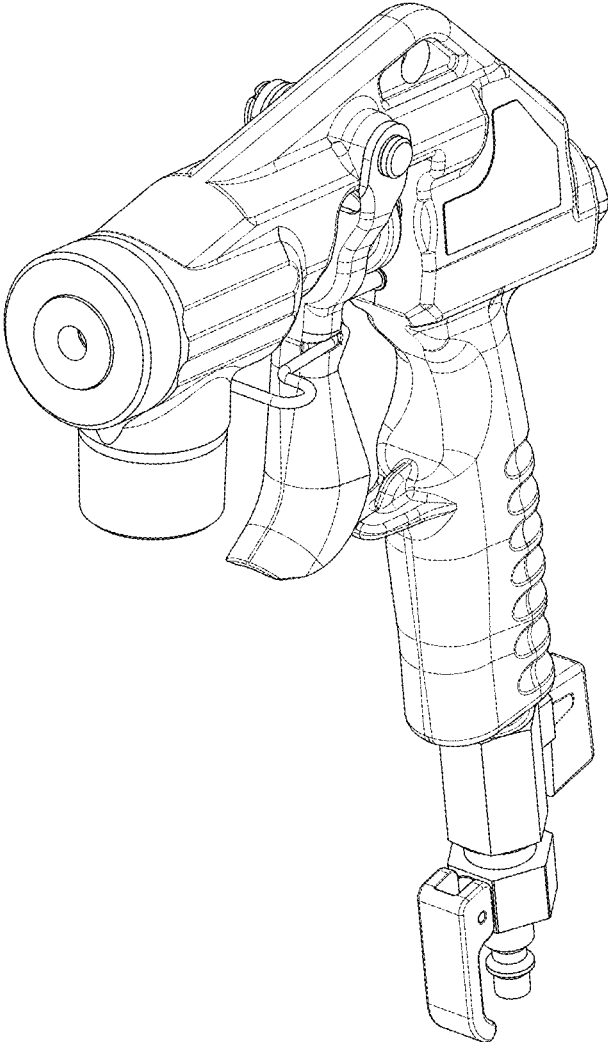


FIG. 1

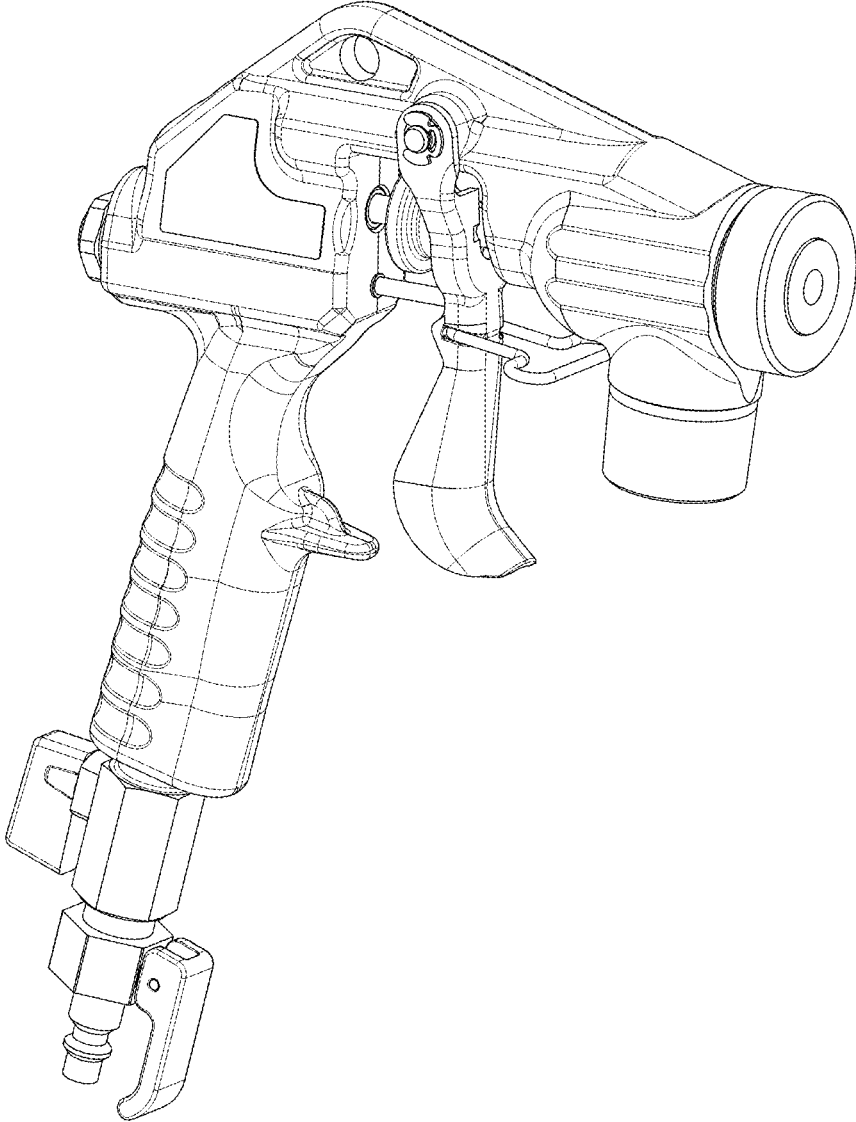


FIG. 2

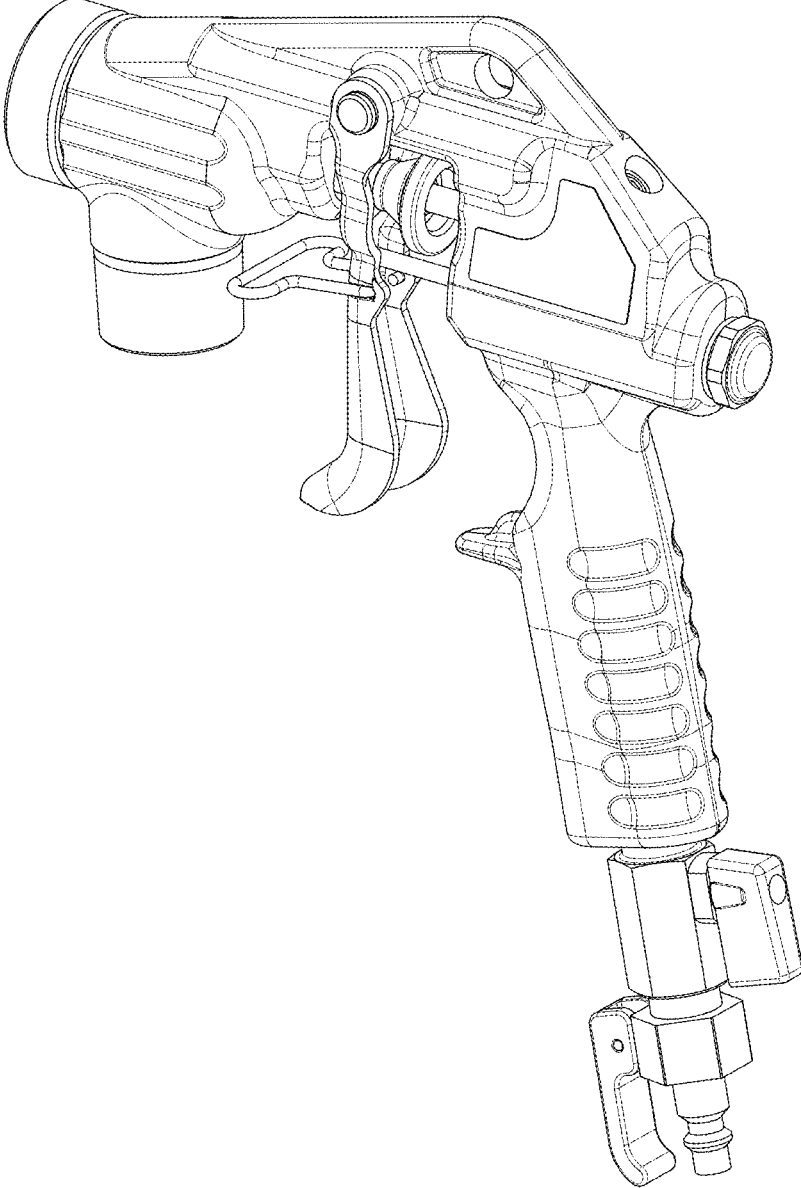


FIG. 3

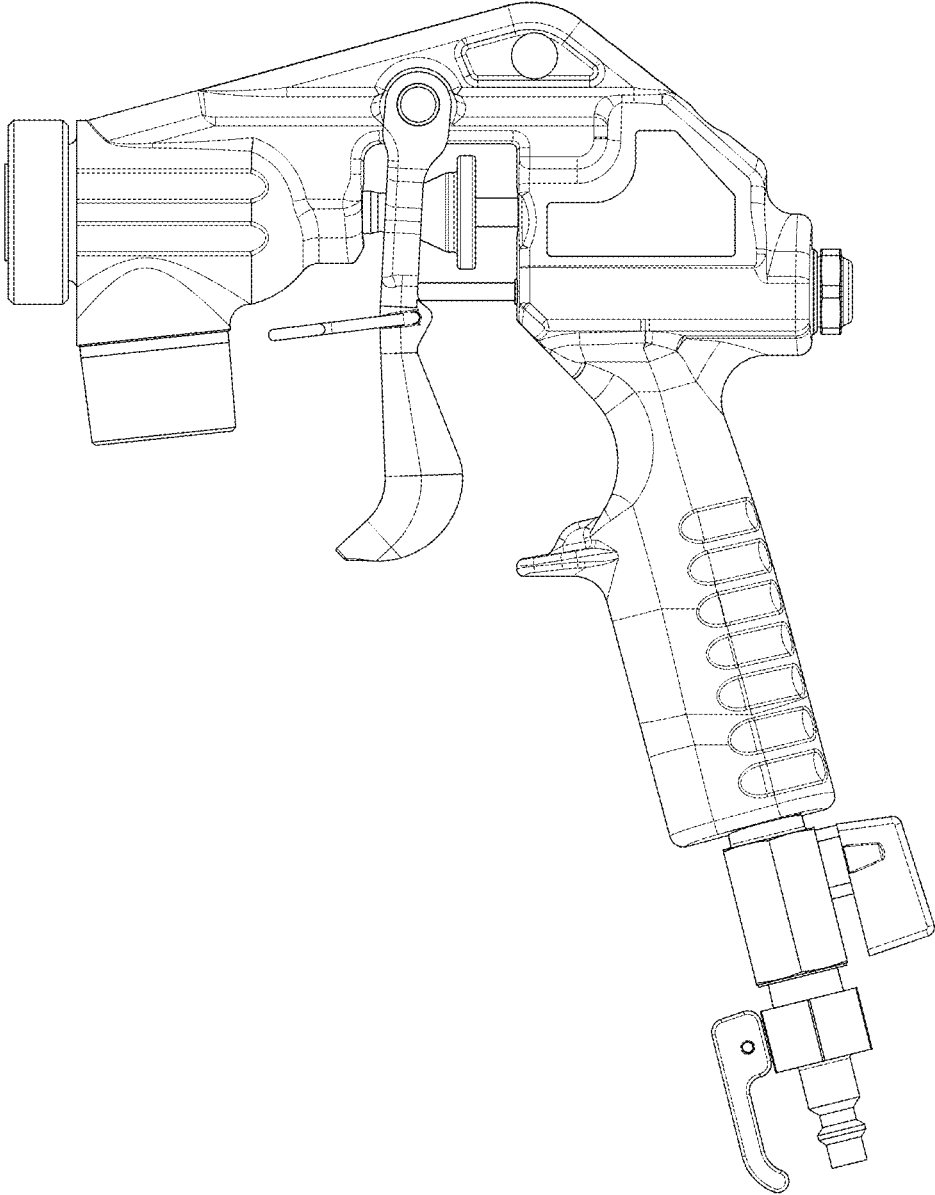


FIG. 4

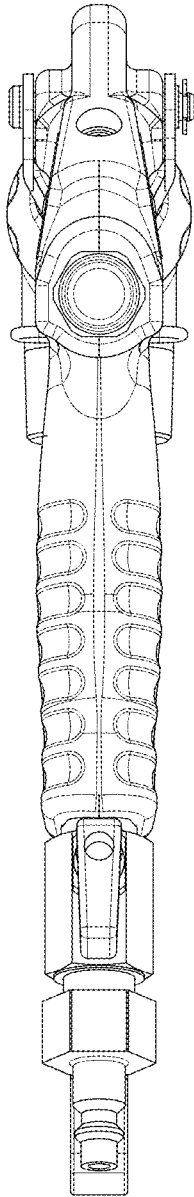


FIG. 5

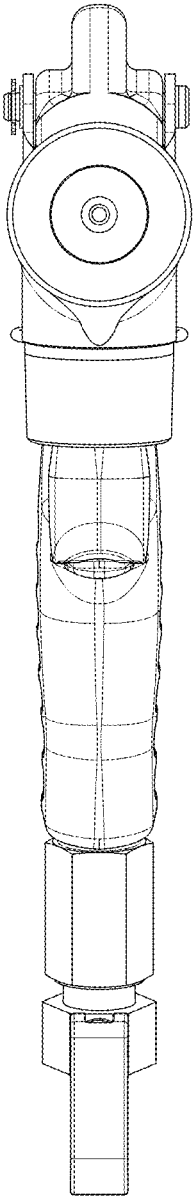


FIG. 6

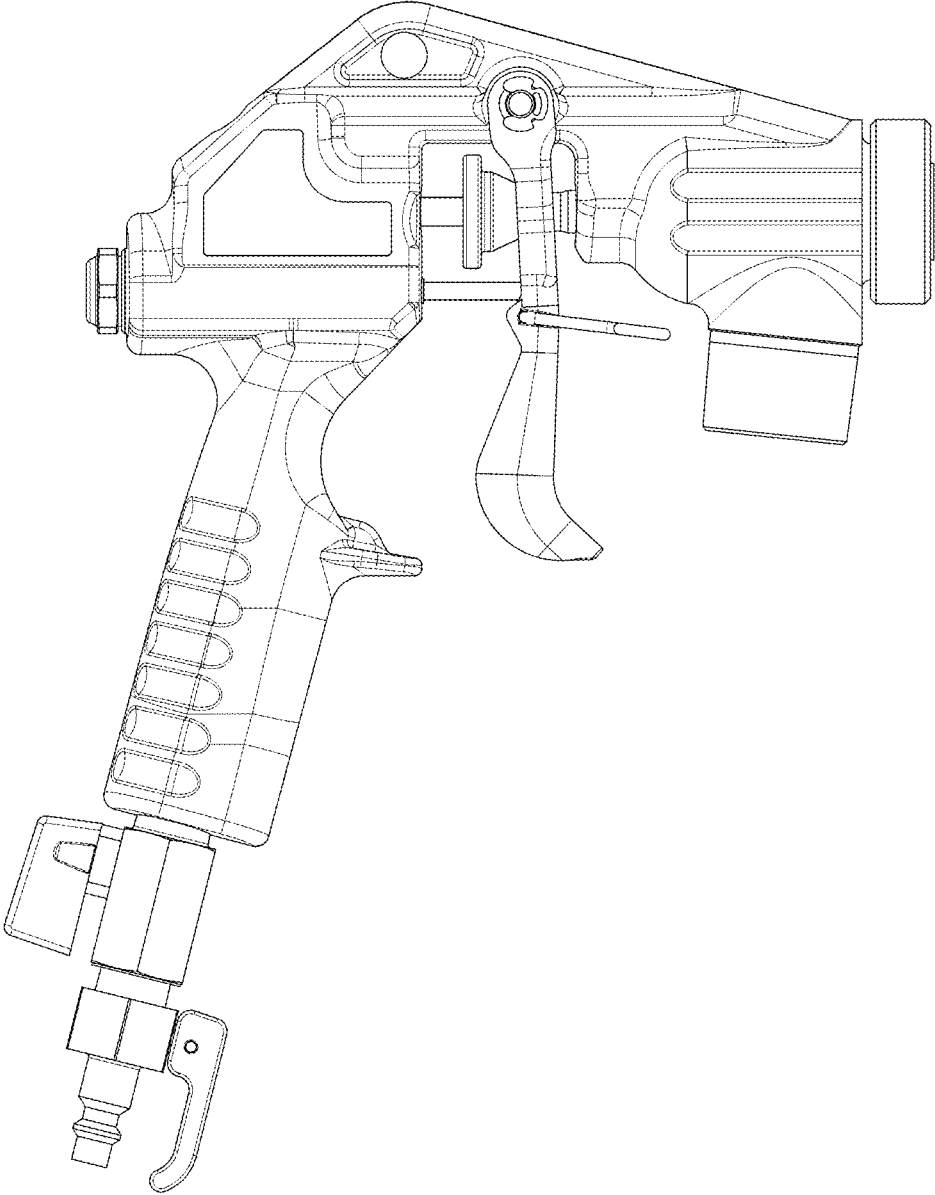


FIG. 7

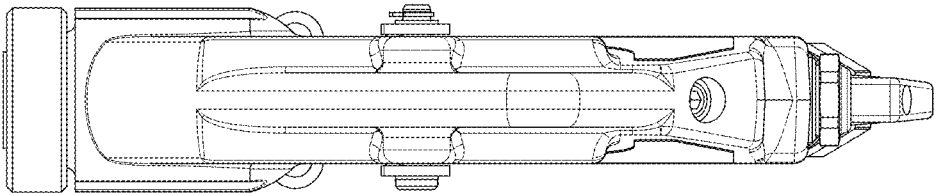


FIG. 8

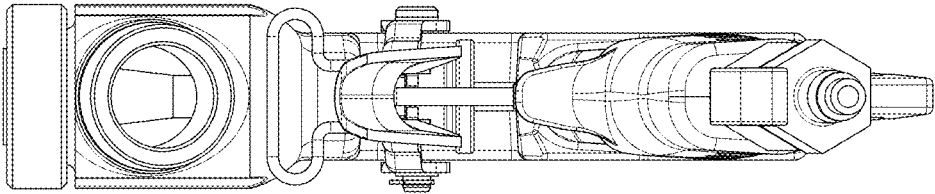


FIG. 9