



US00D61994S

(12) **United States Design Patent**
Chen

(10) **Patent No.:** **US D619,994 S**

(45) **Date of Patent:** **** Jul. 20, 2010**

(54) **SPEAKER**

(75) Inventor: **Hwang-Miaw Chen**, Taipei Hsien (TW)

(73) Assignee: **Foxconn Technology Co., Ltd.**,
Tu-Cheng, Taipei Hsien (TW)

(**) Term: **14 Years**

(21) Appl. No.: **29/340,724**

(22) Filed: **Jul. 24, 2009**

(51) **LOC (9) Cl.** **14-01**

(52) **U.S. Cl.** **D14/216**

(58) **Field of Classification Search** D14/204,
D14/210-216, 172; 181/143-144, 147-148,
181/150-153, 157, 198-199; 381/300-303,
381/306, 332-333, 336, 345, 361-364, 386-388
See application file for complete search history.

(56) **References Cited**

U.S. PATENT DOCUMENTS

- D248,647 S * 7/1978 Nussdorfer D14/216
- D250,586 S * 12/1978 Nussdorfer et al. D14/216
- D349,499 S * 8/1994 Collins D14/216
- D504,416 S * 4/2005 Dayan D14/216

- D521,982 S * 5/2006 Schafernak et al. D14/216
- D556,738 S * 12/2007 Yao D14/216
- D574,812 S * 8/2008 Sei D14/216

* cited by examiner

Primary Examiner—Nanda Bondade

(74) *Attorney, Agent, or Firm*—Frank R. Niranjan

(57) **CLAIM**

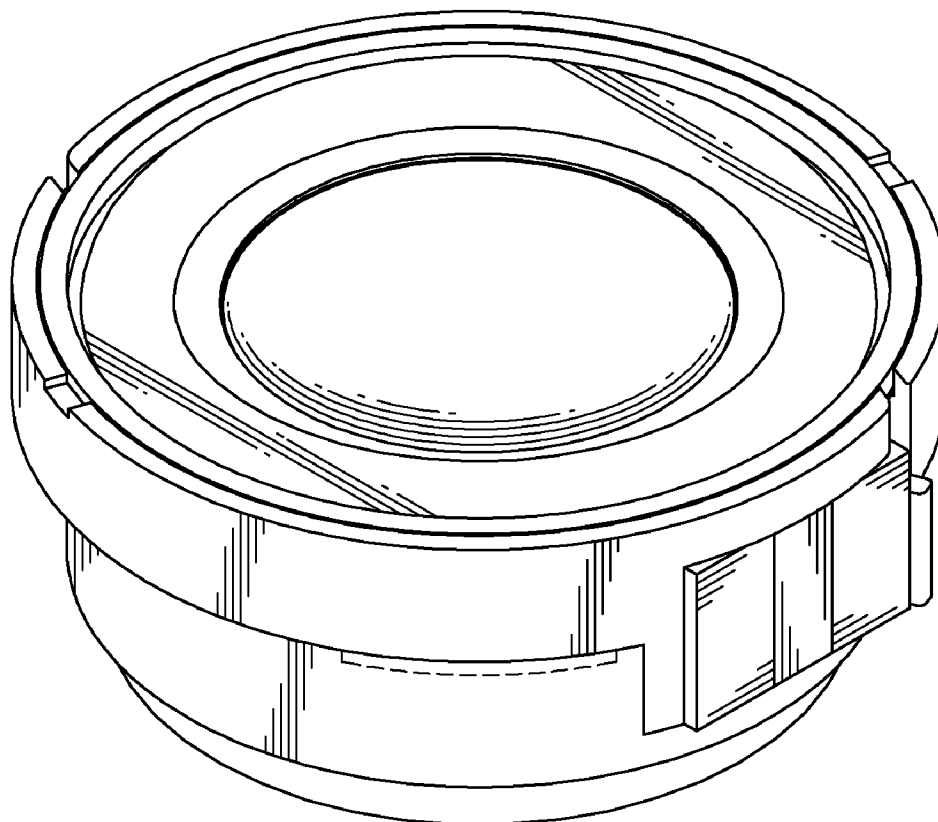
The ornamental design for a speaker, as shown.

DESCRIPTION

FIG. 1 is a perspective view of a speaker of my new design;
 FIG. 2 is a front elevational view thereof;
 FIG. 3 is a rear elevational view thereof;
 FIG. 4 is a left side elevational view thereof;
 FIG. 5 is a right side elevational view thereof;
 FIG. 6 is a top plan view thereof; and,
 FIG. 7 is a bottom plan view thereof.

The broken lines shown in the figures are included for the purpose of illustrating portions of the speaker that form no part of the claimed design.

1 Claim, 7 Drawing Sheets



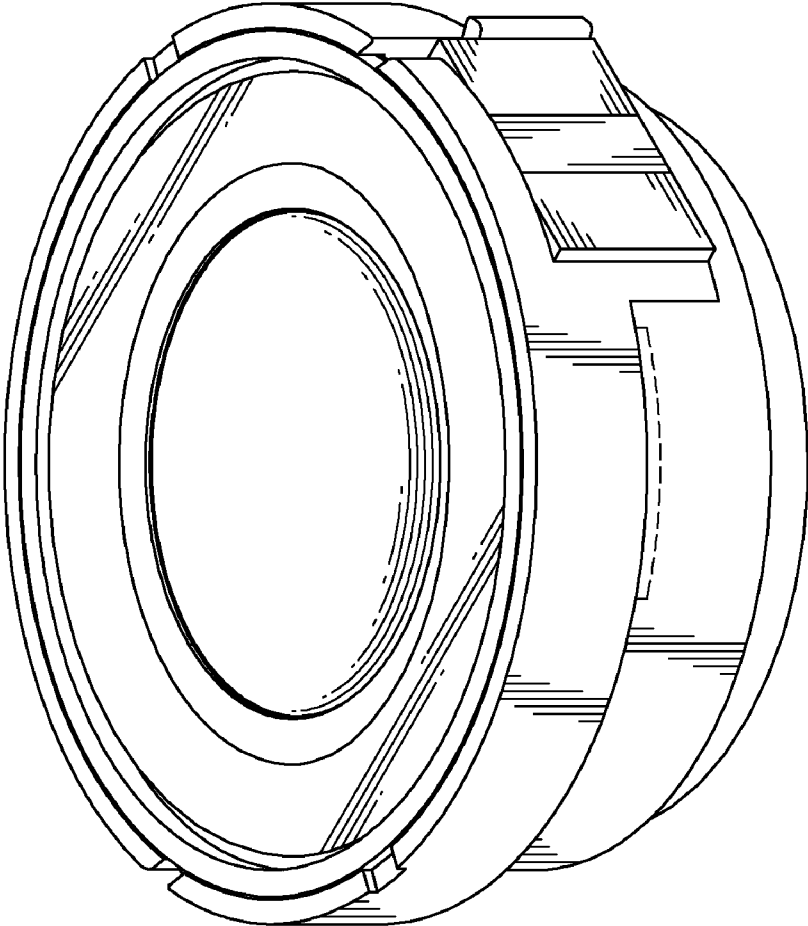


FIG. 1

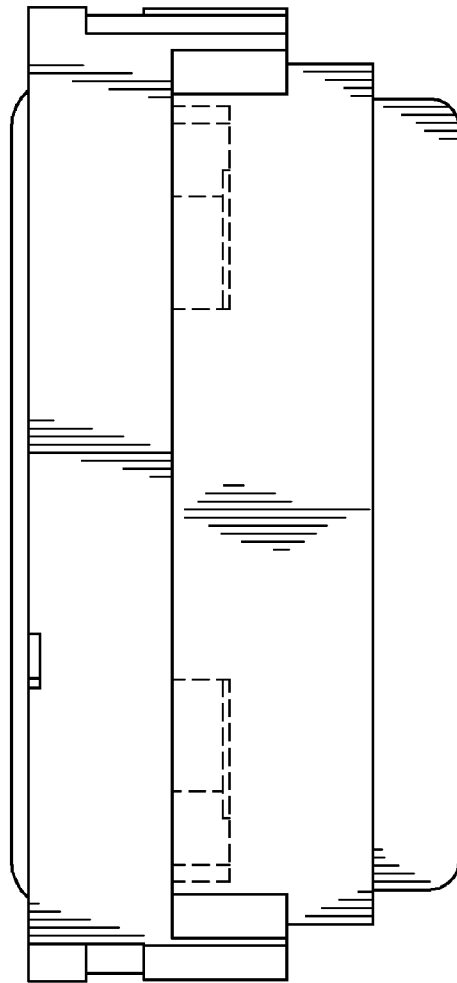


FIG. 2

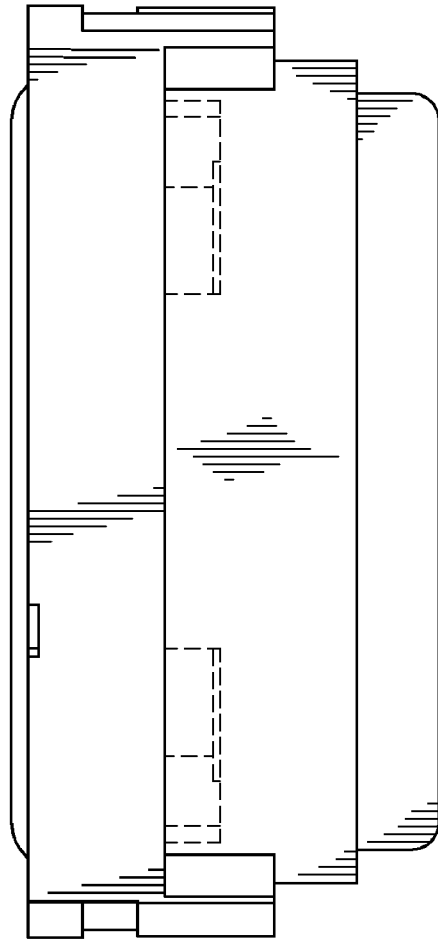


FIG. 3

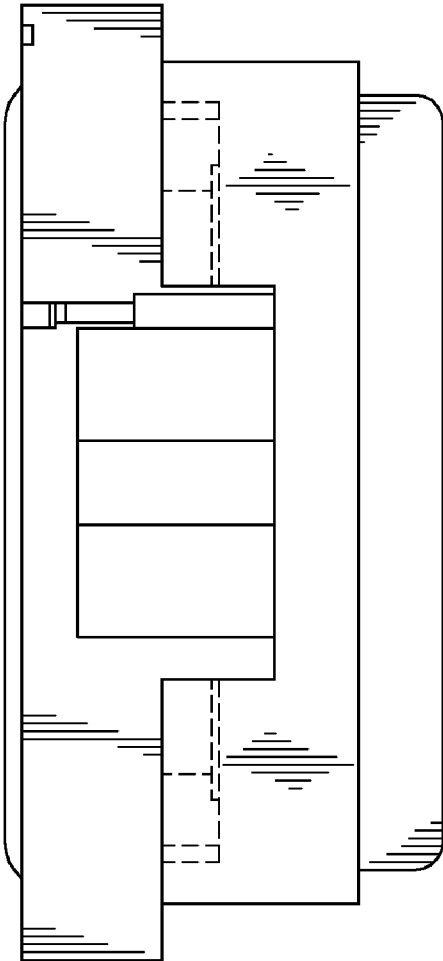


FIG. 4

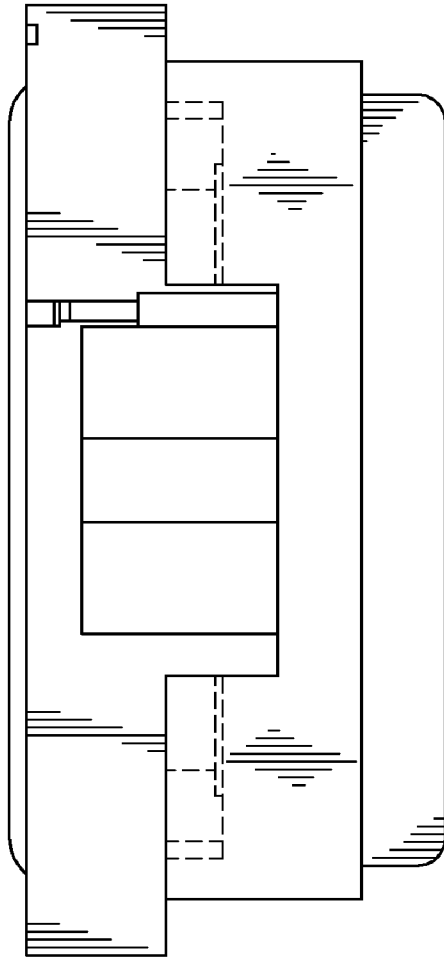


FIG. 5

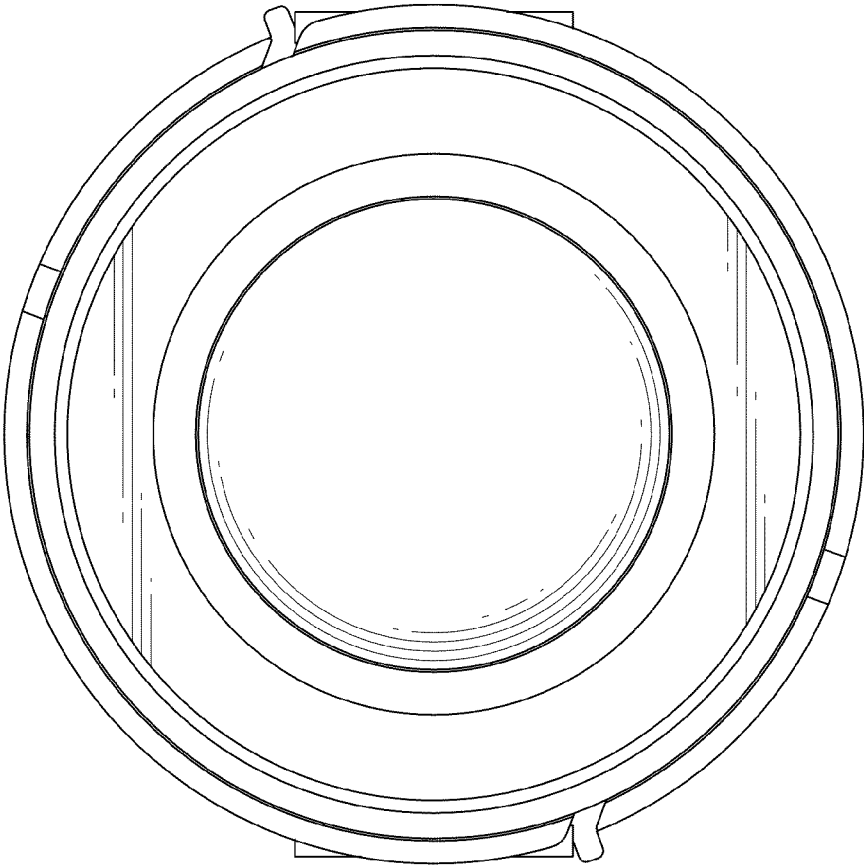


FIG. 6

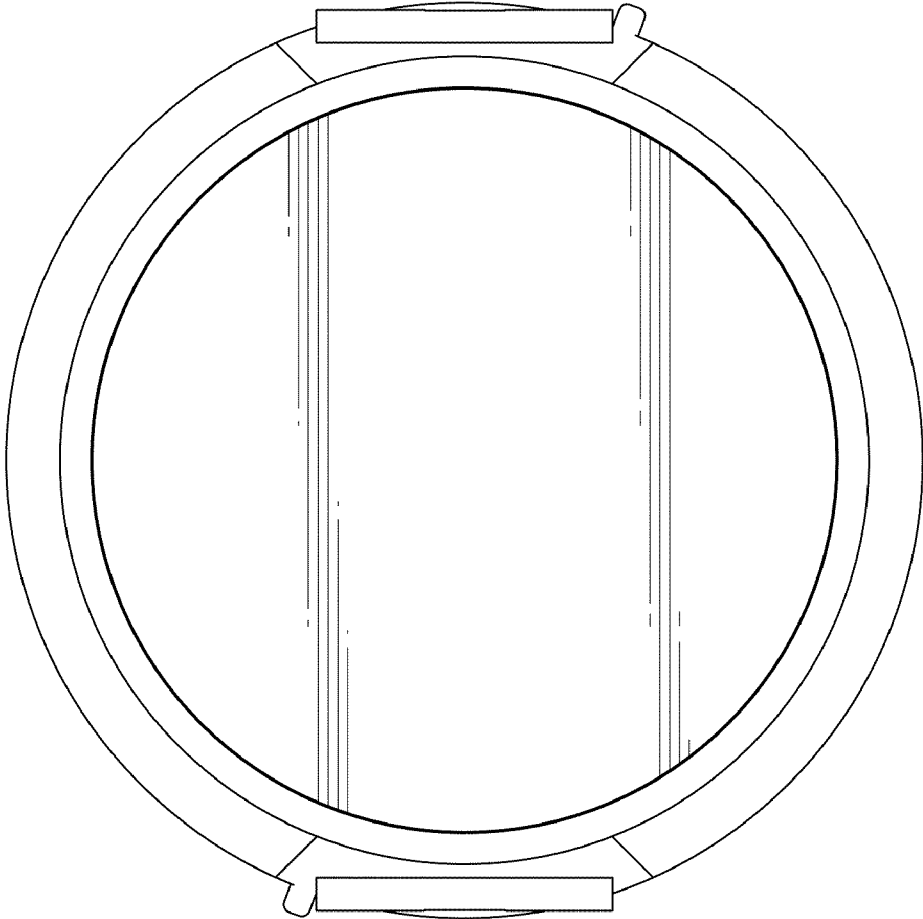


FIG. 7