



US00D862205S

(12) **United States Design Patent**
Bailey et al.

(10) **Patent No.:** **US D862,205 S**

(45) **Date of Patent:** **** Oct. 8, 2019**

(54) **ZIPLINE TROLLEY**
(71) Applicant: **TruBlue LLC**, Boulder, CO (US)
(72) Inventors: **Carl Andrew Bailey**, Boulder, CO (US); **Ryan Daniel Walker**, Boulder, CO (US)

1,958,877 A 5/1934 Yake
2,229,935 A 1/1941 Powers
2,812,010 A 11/1957 Abdallah
3,040,678 A 6/1962 McEwen
3,070,035 A 12/1962 Russo et al.
3,192,872 A 7/1965 Parent
3,398,714 A * 8/1968 Kock B63B 21/08
114/218

(Continued)

(73) Assignee: **TRUBLUE LLC**, Boulder, CO (US)

FOREIGN PATENT DOCUMENTS

(**) Term: **15 Years**

DE 4237263 7/1994
EP 0131384 1/1985

(21) Appl. No.: **29/622,606**

(Continued)

(22) Filed: **Oct. 18, 2017**

(51) **LOC (12) Cl.** **09-06**

(52) **U.S. Cl.**
USPC **D8/356**

(58) **Field of Classification Search**
USPC D8/356, 354, 349, 360; D30/139; D11/218
See application file for complete search history.

OTHER PUBLICATIONS

PCT International Search Report and Written Opinion in International Application PCT/US2018/016475, dated Apr. 16, 2018, 16 pages.

Primary Examiner — Cynthia R Underwood

(56) **References Cited**

U.S. PATENT DOCUMENTS

245,893 A 8/1881 Tunnington
370,983 A 10/1887 Stahl
479,524 A 7/1892 Nicholson
546,084 A * 9/1895 Webb B62C 9/00
280/184
547,528 A 10/1895 Weaver et al.
654,687 A 7/1900 Suter
926,156 A 6/1909 Waterhouse et al.
1,087,062 A 2/1914 Izett
1,087,063 A 2/1914 Izett
1,228,694 A 6/1917 Netcott
1,371,619 A 3/1921 Greenstreet
1,490,619 A 4/1924 Manikowske et al.
1,576,352 A 3/1926 Nordling
1,873,196 A 8/1932 Harris et al.
1,935,711 A 11/1933 Hecox

(57) **CLAIM**

The ornamental design for a zipline trolley, as shown and described.

DESCRIPTION

FIG. 1 is a perspective view of an exemplary zipline trolley according to the present disclosure; FIG. 2 is a front view of the zipline trolley of FIG. 1; FIG. 3 is a rear view of the zipline trolley of FIG. 1; FIG. 4 is a right side view of the zipline trolley of FIG. 1; FIG. 5 is a left side view of the zipline trolley of FIG. 1; FIG. 6 is a top view of the zipline trolley of FIG. 1; and, FIG. 7 is a bottom view of the zipline trolley of FIG. 1. The broken lines represent environment or portions of the invention and form no part of the claimed design.

1 Claim, 7 Drawing Sheets

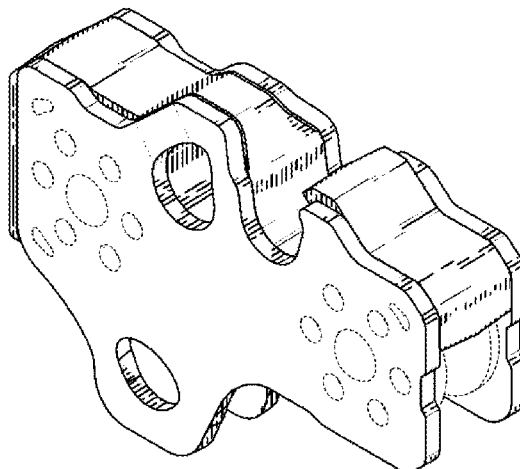
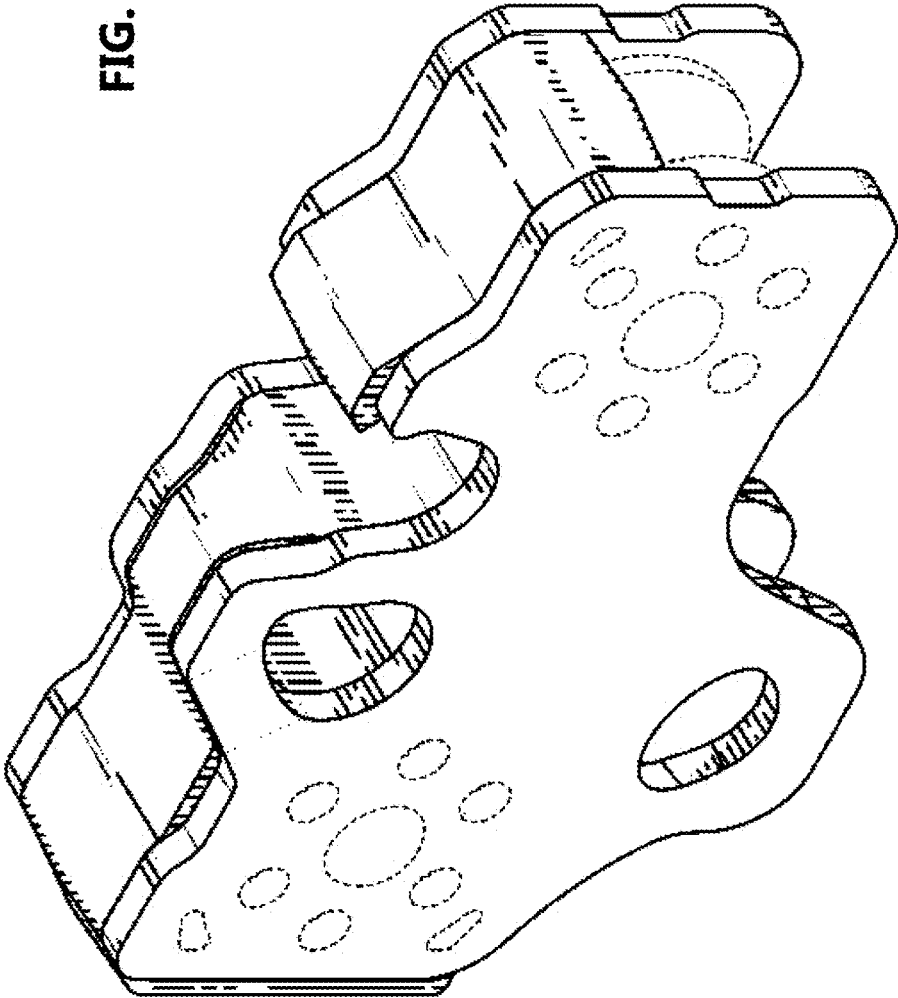


FIG. 1



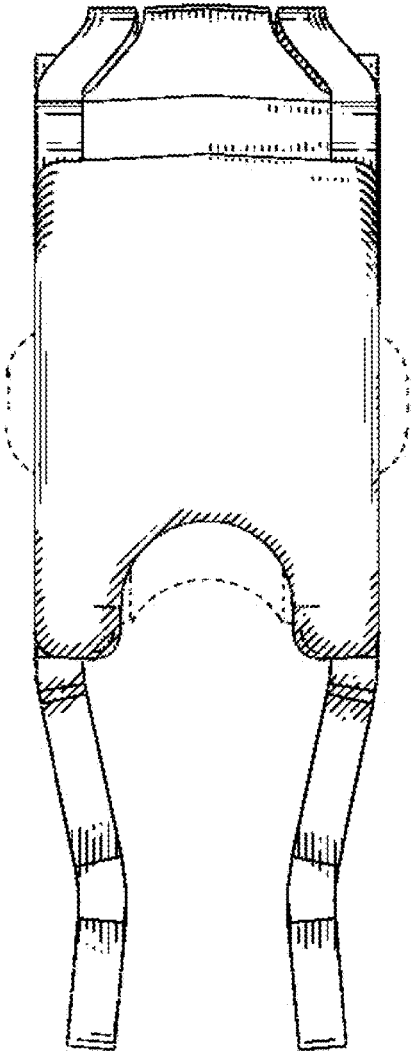


FIG. 2

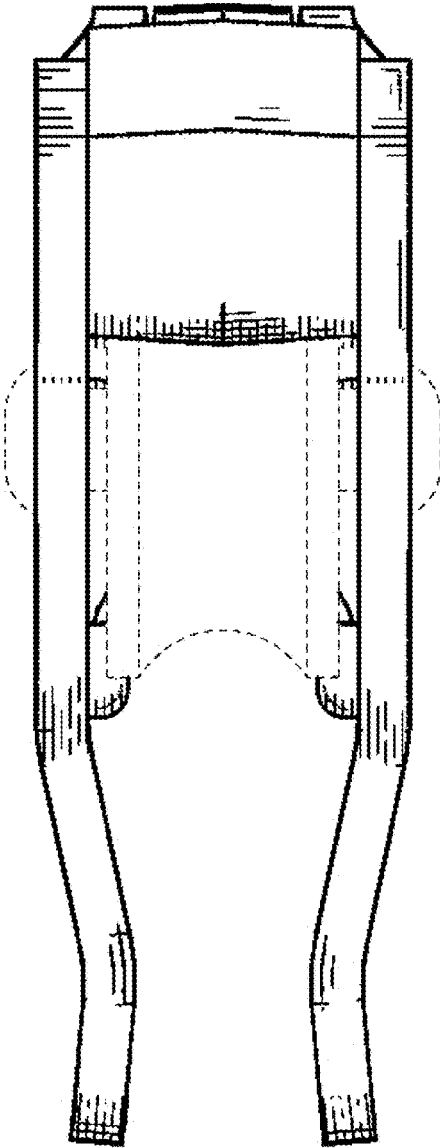


FIG. 3

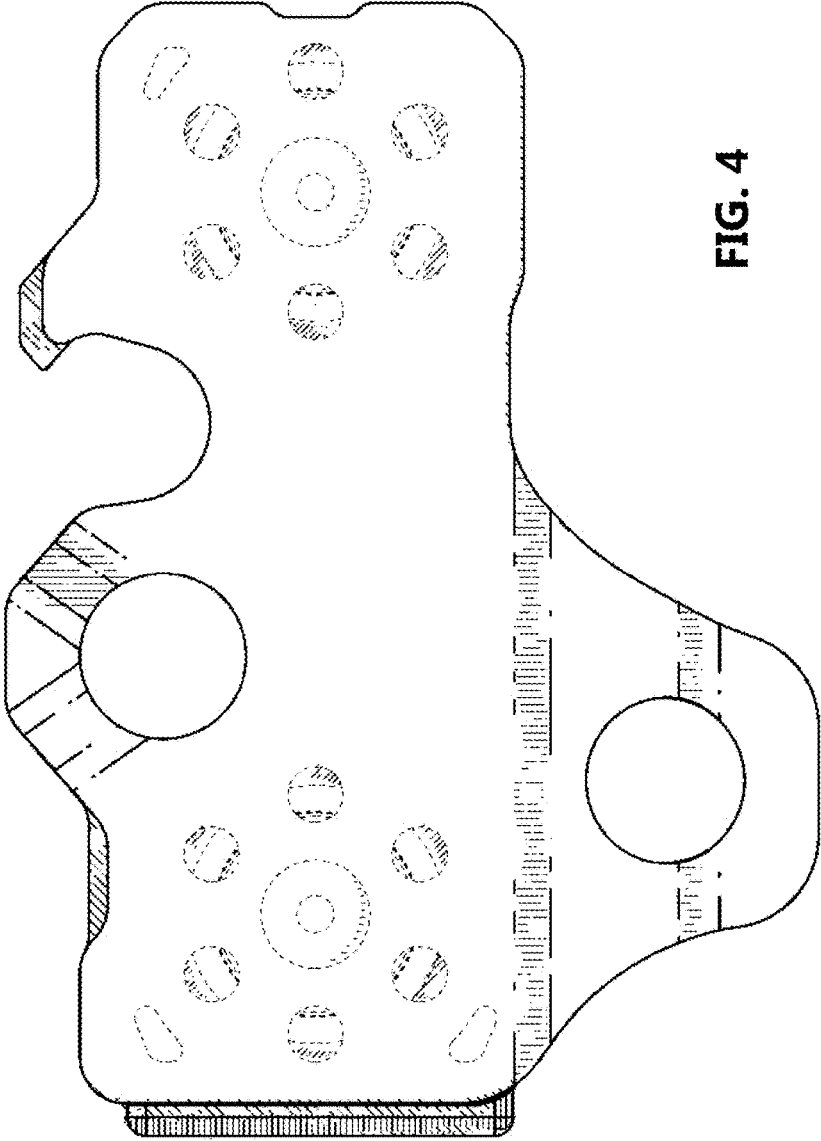


FIG. 4

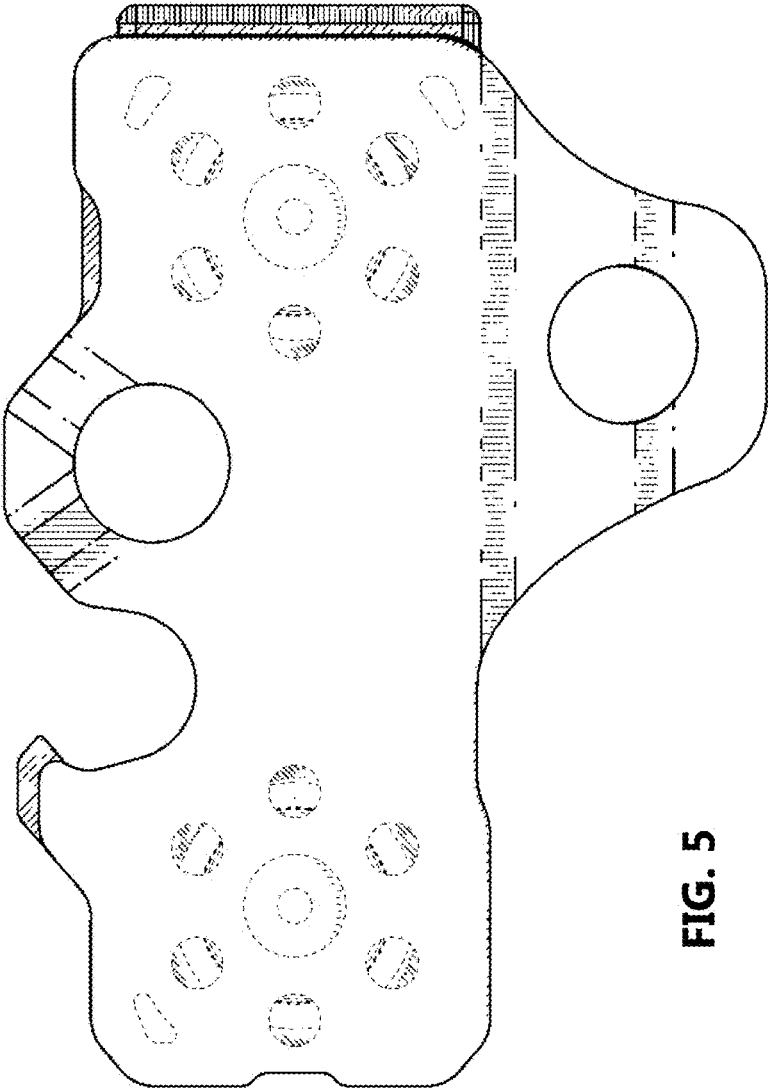


FIG. 5

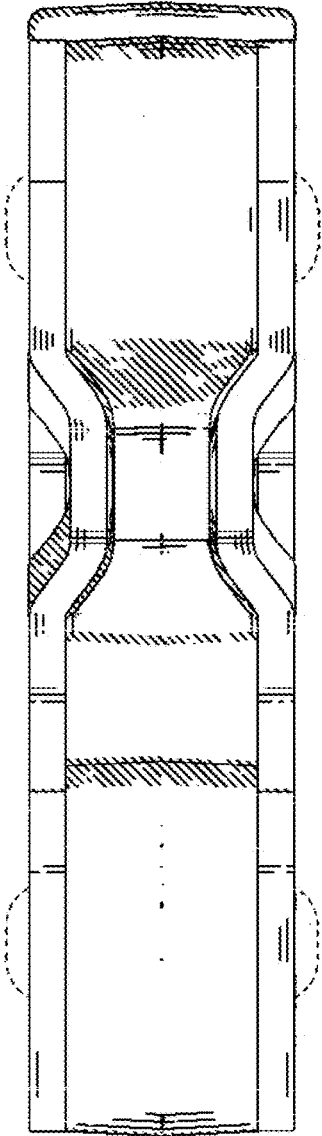


FIG. 6

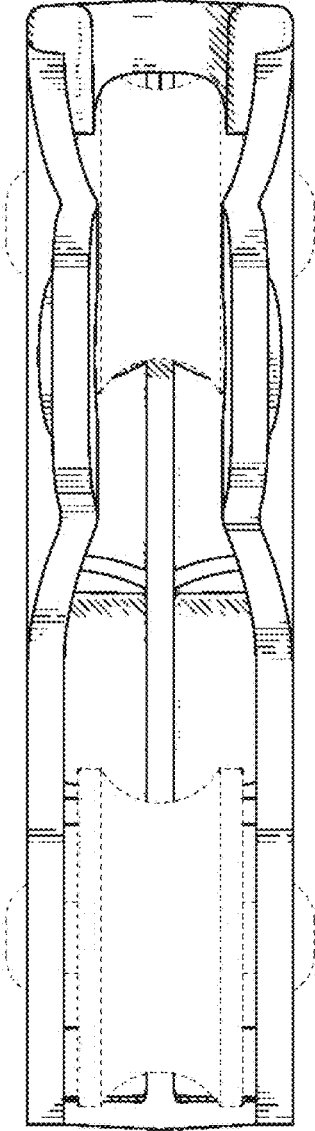


FIG. 7