



US00D609056S

(12) **United States Design Patent**  
**Pierce**

(10) **Patent No.:** **US D609,056 S**

(45) **Date of Patent:** **\*\* Feb. 2, 2010**

(54) **DEEP DISH CONDIMENT TRAY**

(76) Inventor: **Michael Bernard Pierce**, 7105  
Medicine Lake Rd., Minneapolis, MN  
(US) 55427

(\*\*) Term: **14 Years**

(21) Appl. No.: **29/315,620**

(22) Filed: **Jul. 10, 2009**

(51) **LOC (9) Cl.** ..... **07-01**

(52) **U.S. Cl.** ..... **D7/541; D7/538**

(58) **Field of Classification Search** ..... D7/387,  
D7/538, 388, 500, 541, 550.1, 396.1, 629,  
D7/545, 560, 392.1, 542, 586, 554.2, 553.2,  
D7/553.5, 553.8; 220/6, 337, 662, 665, 839,  
220/366.1; 206/508, 815; D9/761, 421,  
D9/432, 428

See application file for complete search history.

(56) **References Cited**

**U.S. PATENT DOCUMENTS**

3,563,370	A *	2/1971	Nozette et al. ....	220/788
D255,658	S *	7/1980	Dugan et al. ....	D9/425
4,235,338	A *	11/1980	Dugan et al. ....	206/443
4,366,903	A *	1/1983	Gaiser et al. ....	206/387.15
D268,379	S *	3/1983	Dishell ..... ..	D6/631
D305,841	S *	2/1990	MacQueen ..... ..	D6/475
D332,204	S *	1/1993	Carlson ..... ..	D7/629

D351,957	S *	11/1994	Bumb ..... ..	D6/475
6,386,381	B2 *	5/2002	Csiszar ..... ..	220/4.03
D469,974	S *	2/2003	Scribner ..... ..	D6/407
D553,011	S *	10/2007	Nouvel et al. ....	D9/761
D593,803	S *	6/2009	Olsson ..... ..	D7/550.1

\* cited by examiner

*Primary Examiner*—Robert M Spear  
*Assistant Examiner*—Cynthia Underwood  
(74) *Attorney, Agent, or Firm*—Hugh D. Jaeger

(57) **CLAIM**

The ornamental design for a deep dish condiment tray, as shown.

**DESCRIPTION**

FIG. 1 is a front view of a deep dish condiment tray showing my new design;

FIG. 2 is a back view thereof;

FIG. 3 is a top view thereof;

FIG. 4 is a left side view thereof;

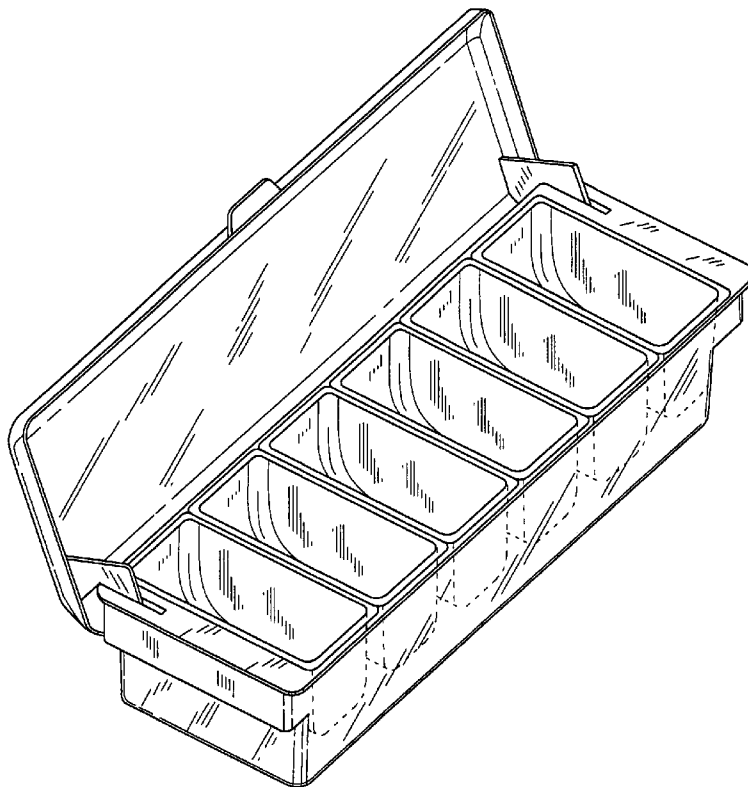
FIG. 5 is a right side view thereof;

FIG. 6 is a bottom view thereof; and,

FIG. 7 is an isometric view thereof.

The broken lines represent portions of the structure that form no part of the claim.

**1 Claim, 7 Drawing Sheets**



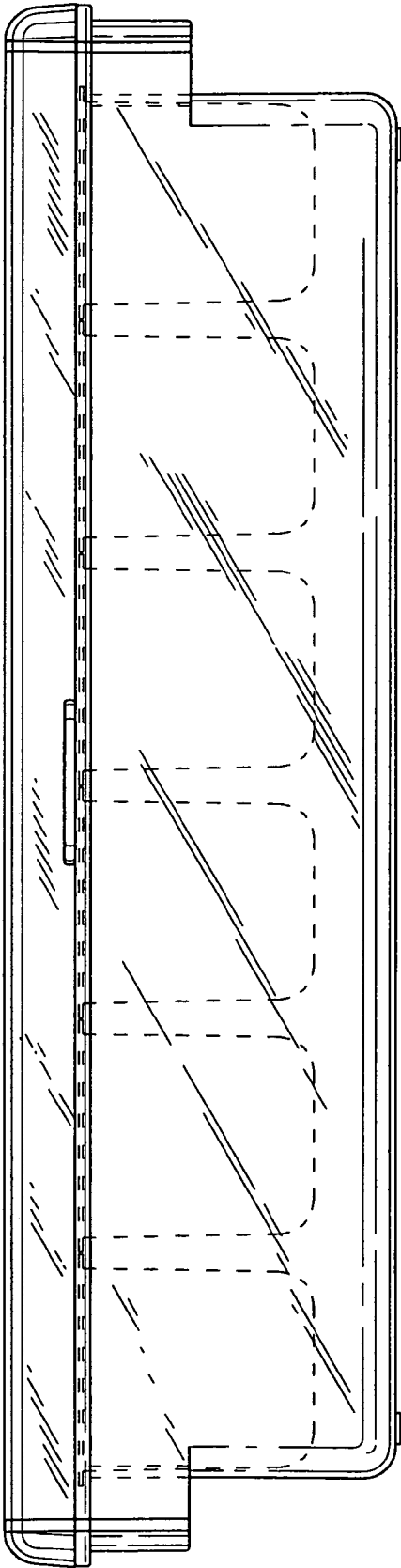


FIG. 1

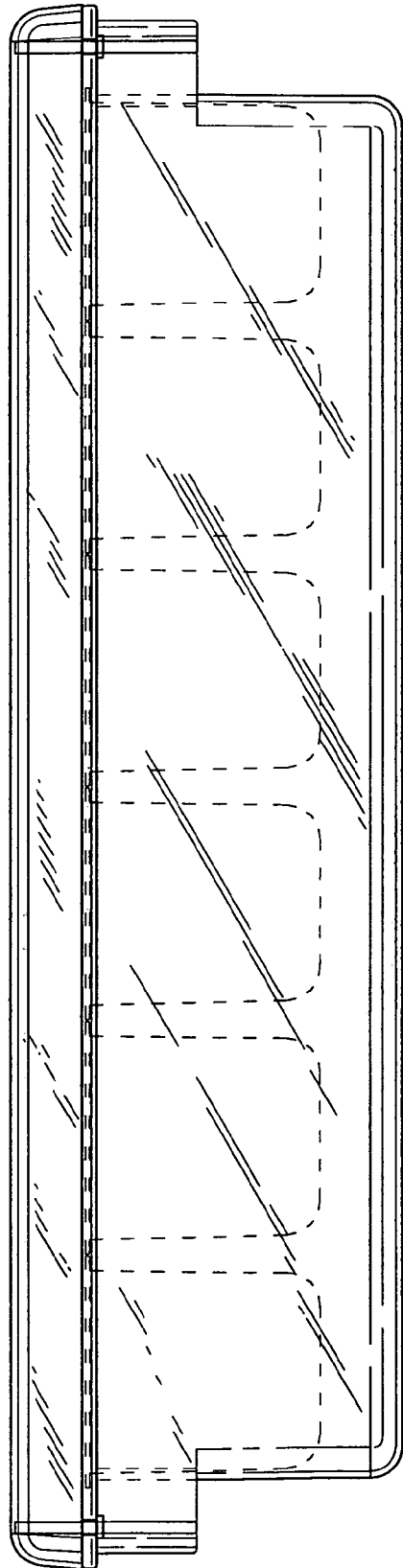


FIG. 2

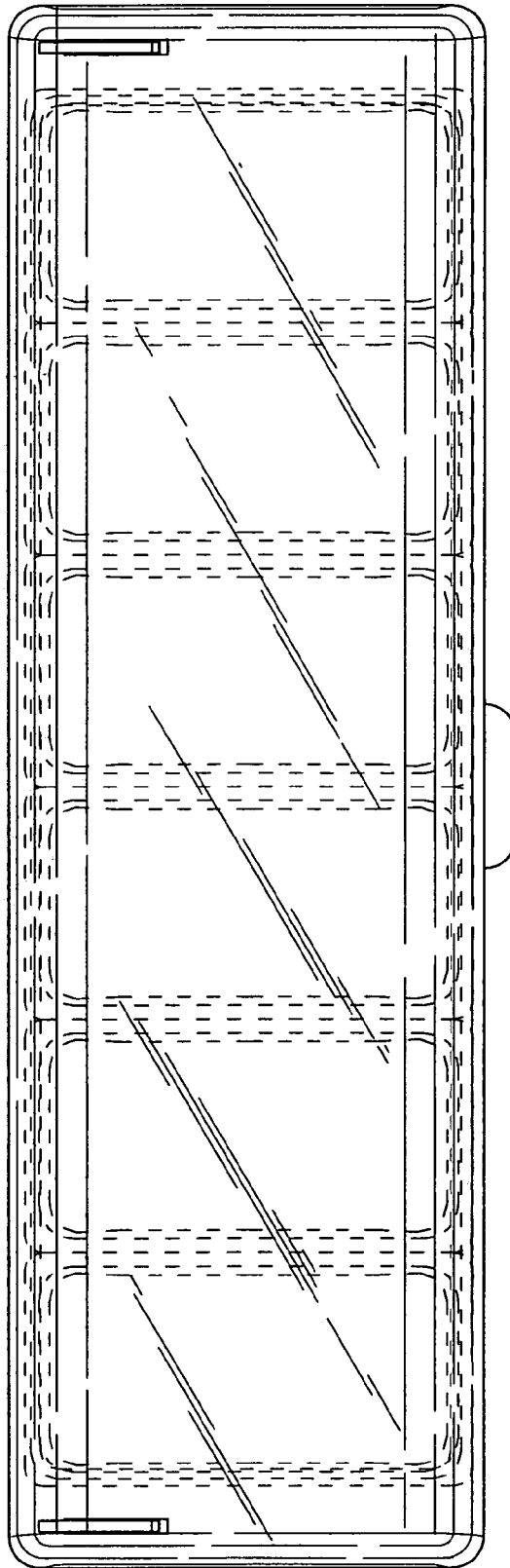


FIG. 3

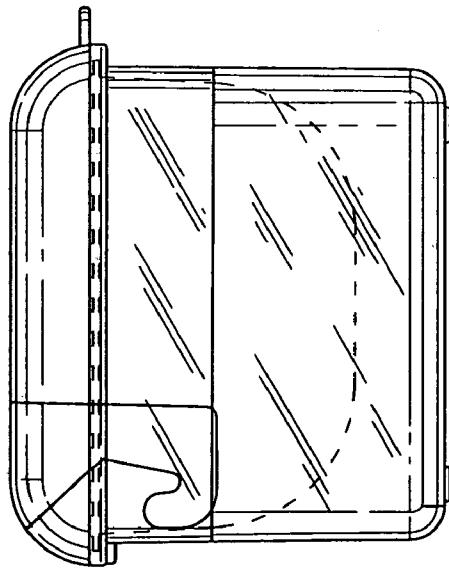


FIG. 4

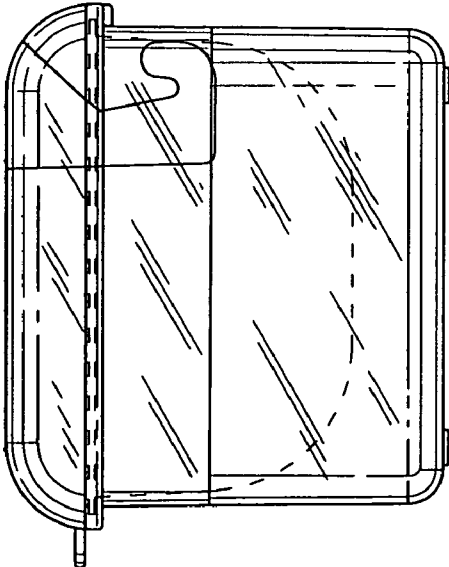


FIG. 5

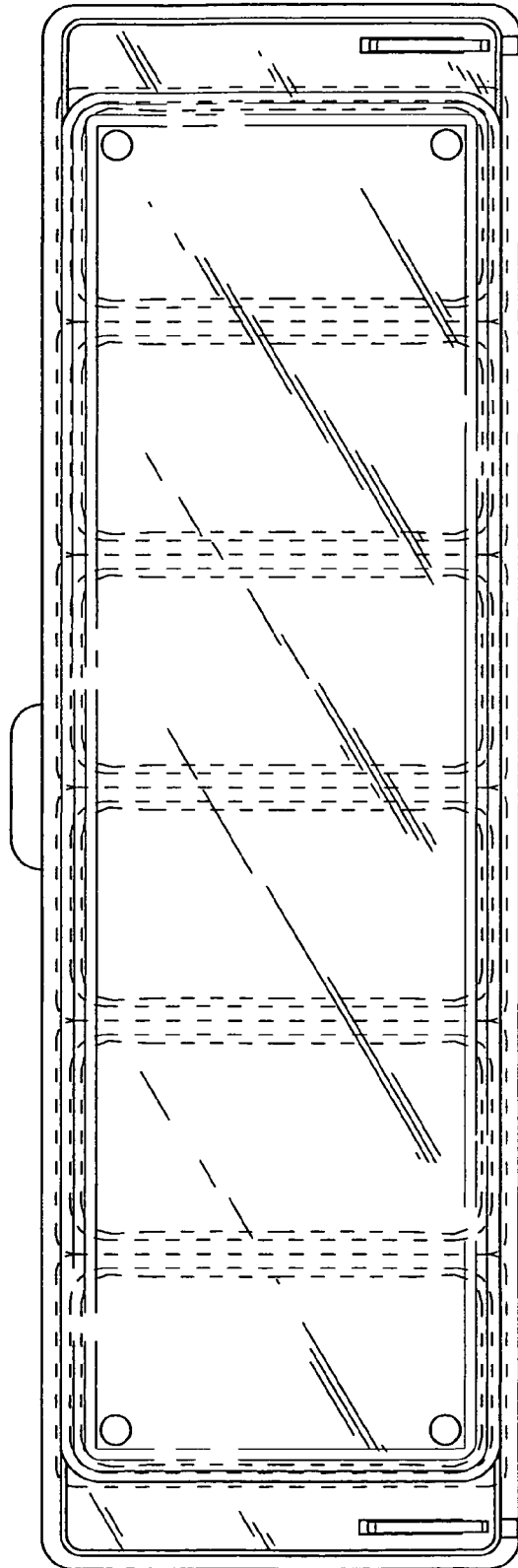


FIG. 6

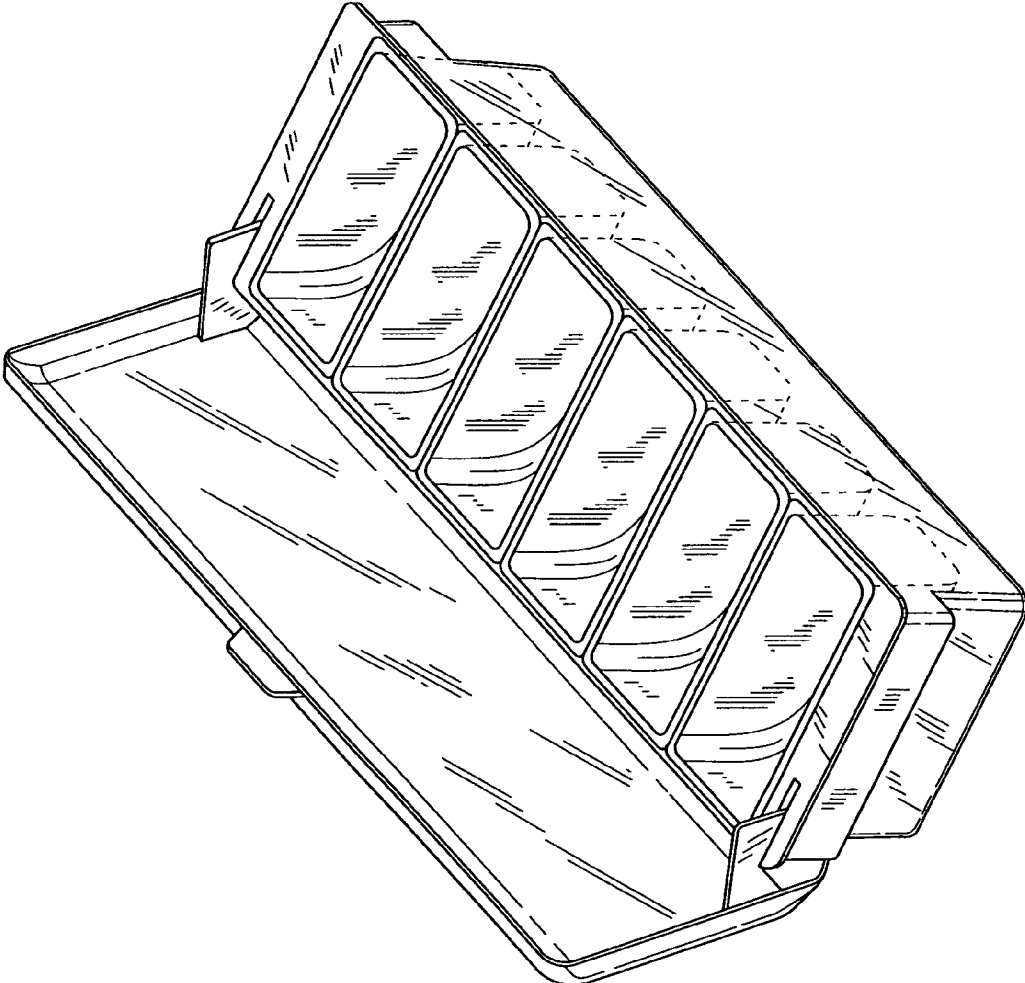


FIG. 7