



US00D506184S

(12) **United States Design Patent**
Sirichai et al.

(10) **Patent No.:** **US D506,184 S**

(45) **Date of Patent:** **** Jun. 14, 2005**

(54) **CABLE HEAD**

(75) Inventors: **Saharut Sirichai**, Culver City, CA
(US); **David Goetz**, Los Angeles, CA
(US); **Mitchell Suckle**, Long Beach,
CA (US)

(73) Assignee: **Belkin Corporation**, Compton, CA
(US)

(**) Term: **14 Years**

(21) Appl. No.: **29/197,004**

(22) Filed: **Jan. 7, 2004**

(51) **LOC (8) Cl.** **13-03**

(52) **U.S. Cl.** **D13/154**

(58) **Field of Search** D13/133, 146,
D13/149, 154; 439/350, 354, 610, 680

(56) **References Cited**

U.S. PATENT DOCUMENTS

4,932,897 A	*	6/1990	Lee et al.	439/578
D320,001 S	*	9/1991	Hirabayashi	D13/146
D323,643 S	*	2/1992	Lee	D13/133
D329,223 S	*	9/1992	Lee	D13/133
D367,036 S	*	2/1996	Lee	D13/133

D412,883 S	*	8/1999	Nakazawa	D13/146
D443,858 S	*	6/2001	Treiger et al.	D13/133
D450,296 S	*	11/2001	Lee	D13/133
D472,523 S	*	4/2003	Hansen	D13/146

* cited by examiner

Primary Examiner—Alan P. Douglas

Assistant Examiner—Cynthia M. Chin

(74) *Attorney, Agent, or Firm*—Bryan Cave LLP

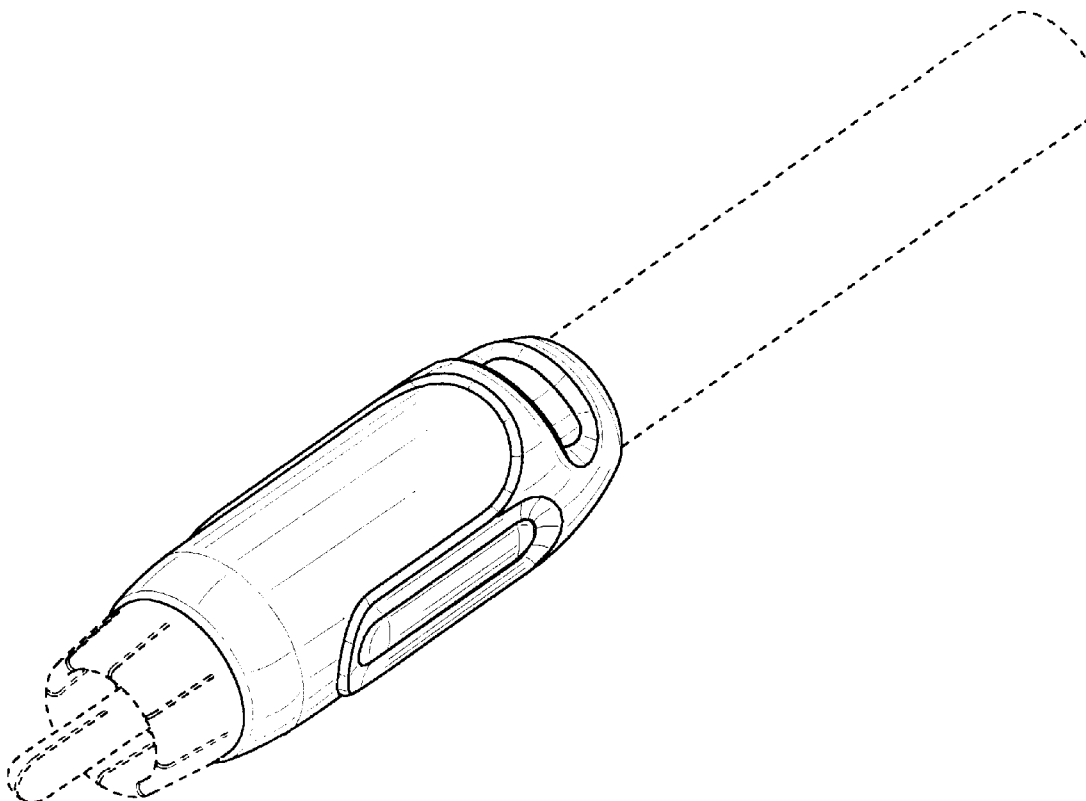
(57) **CLAIM**

We claim the ornamental design for the cable head, as shown and described.

DESCRIPTION

FIG. 1 is a top planar view of the cable head, the bottom planar view being a mirror image of the top planar view; FIG. 2 is a right side elevational view thereof, the left side elevational view being a mirror image of the right side elevational view; FIG. 3 is a rear elevational view thereof; FIG. 4 is a front elevational view thereof; FIG. 5 is a rear, right, bottom isometric view thereof; and, FIG. 6 is a front, left, top isometric view thereof. The broken lines are for illustrative purposes only and form no part of the claimed design.

1 Claim, 2 Drawing Sheets



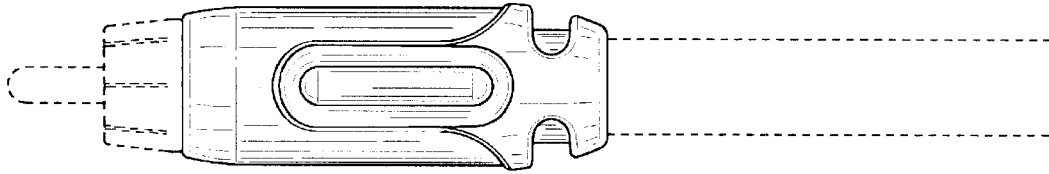


FIG. 1

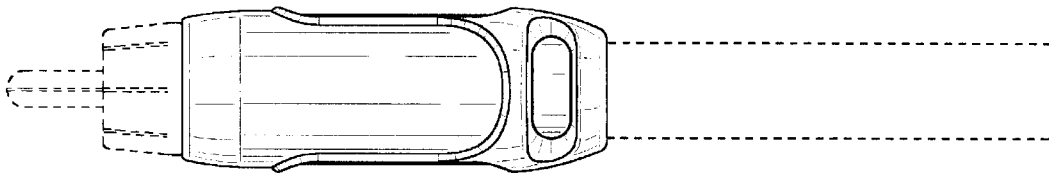


FIG. 2

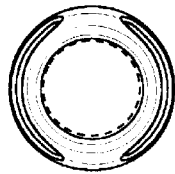


FIG. 3

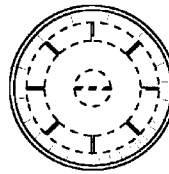


FIG. 4

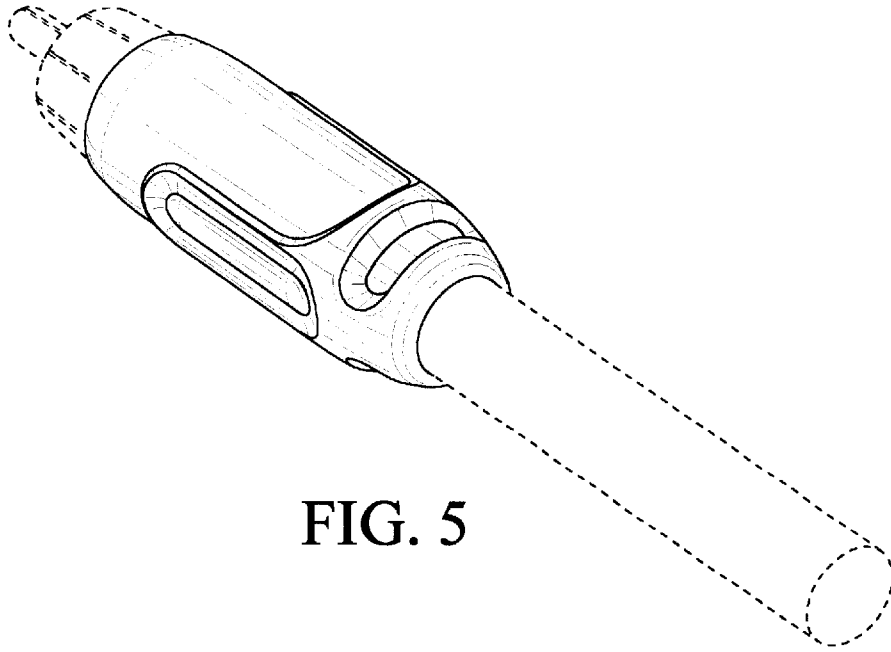


FIG. 5

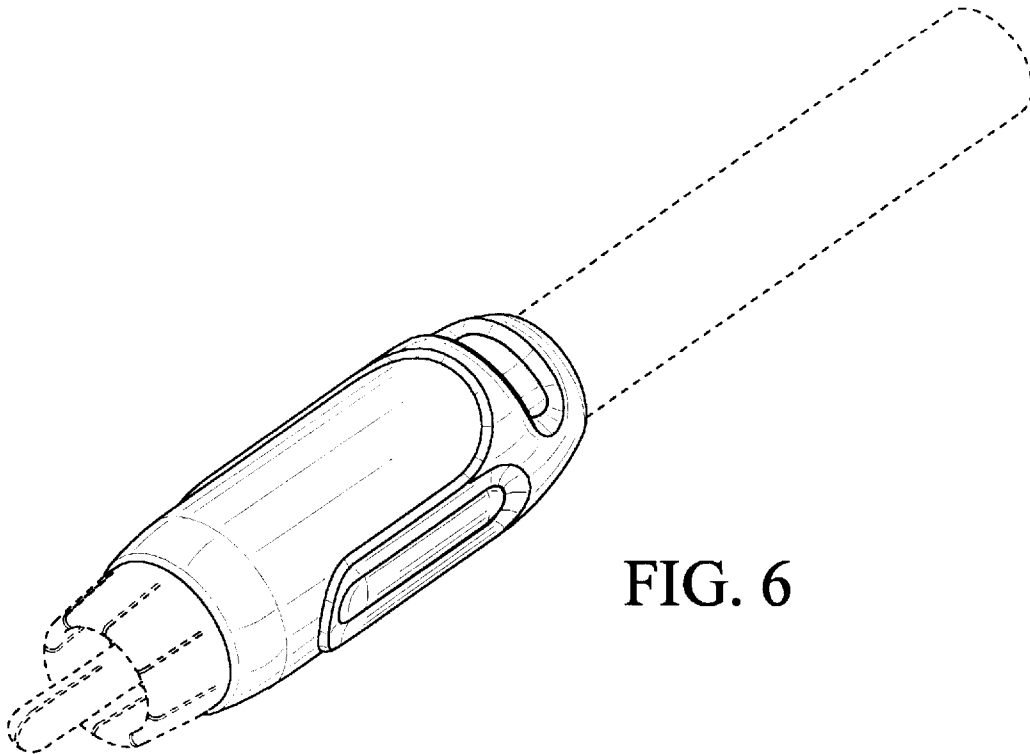


FIG. 6