



US00D958845S

(12) **United States Design Patent**
Zhao et al.

(10) **Patent No.:** **US D958,845 S**

(45) **Date of Patent:** **** Jul. 26, 2022**

(54) **CAR FRIDGE**

FOREIGN PATENT DOCUMENTS

(71) Applicant: **FOSHAN ALPICOOOL ELECTRIC APPLIANCE CO., LTD.**, Foshan (CN)

CN 305836902 * 6/2020
CN 306236866 * 12/2020

(Continued)

(72) Inventors: **Pizhi Zhao**, Qingyuan (CN); **Junjie Qin**, Nanning (CN); **Tao Zeng**, Foshan (CN); **Gangqiang Fan**, Jiujiang (CN); **Jingcheng Chen**, Nanning (CN); **Jingrui Chen**, Shaoguan (CN)

OTHER PUBLICATIONS

Alpicool [online] URL: <https://www.suning.com/item/0071272907/12110439442.html> (site visited: Nov. 30, 2021) (Year: 2020).*

(Continued)

(**) Term: **15 Years**

Primary Examiner — Jae Liang

(21) Appl. No.: **29/731,385**

Assistant Examiner — Tia Ruth-Renee Polidori

(22) Filed: **Apr. 14, 2020**

(57) **CLAIM**

The ornamental design for a car fridge, as shown and described.

(30) **Foreign Application Priority Data**

DESCRIPTION

Apr. 7, 2020 (CN) 202030132028.7

(51) **LOC (13) Cl.** **15-07**

FIG. 1 is a perspective view of a car fridge showing our new design;

(52) **U.S. Cl.**

FIG. 2 is another perspective view thereof;

USPC **D15/79**; D15/83

FIG. 3 is a front elevational view thereof;

(58) **Field of Classification Search**

FIG. 4 is a rear elevational view thereof;

USPC D7/603, 604, 605, 606, 607, 608, 629;

FIG. 5 is a left side elevational view thereof;

D3/272, 273, 274, 276, 279; D15/79, 80,

FIG. 6 is a right side elevational view thereof;

D15/81, 83, 85; 62/911

FIG. 7 is a top plan view thereof;

CPC F25C 2400/10; G05B 2219/2654; A45C

FIG. 8 is a bottom plan view thereof;

11/20; A45C 9/00; A45C 5/14; F25D

FIG. 9 is a perspective view of our new design for a car fridge in a configuration of use;

3/06; F25D 3/107; F25D 2400/12; F25D

FIG. 10 is an enlarged view of portion 10 shown in FIG. 1;

(Continued)

FIG. 11 is an enlarged view of portion 11 shown in FIG. 2;

(56) **References Cited**

and,

U.S. PATENT DOCUMENTS

FIG. 12 is an enlarged view of portion 12 shown in FIG. 2.

4,724,681 A * 2/1988 Bartholomew F25D 3/06

The dash-dash broken lines in the drawings depict portions

190/18 A

of the car fridge that form no part of the claimed design and

5,064,088 A * 11/1991 Steffes B65D 43/161

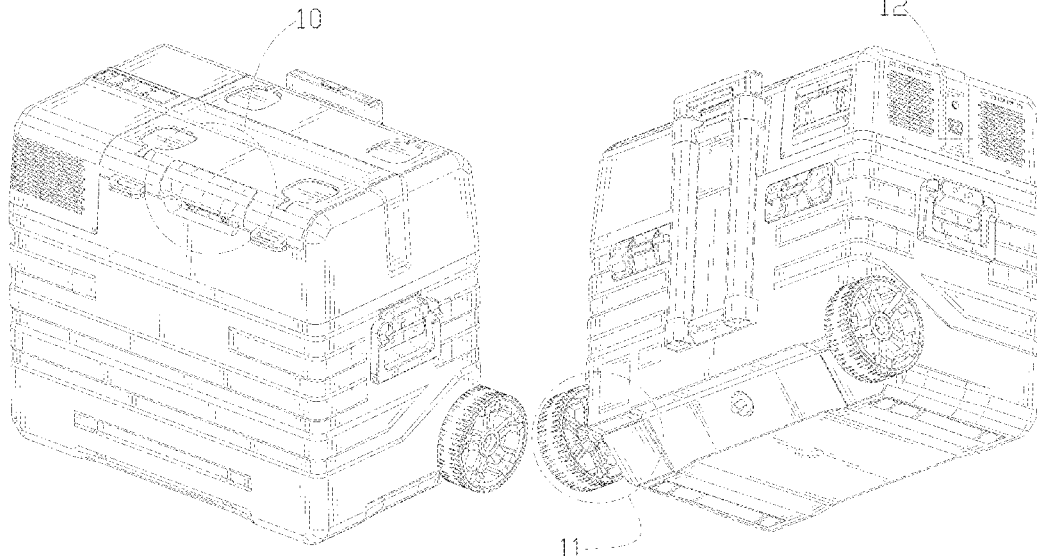
the dot-dash broken lines in the drawings depict partial view

220/837

indicia that forms no part of the claimed design.

(Continued)

1 Claim, 12 Drawing Sheets



US D958,845 S

<p>(58) Field of Classification Search CPC .. 2400/38; F25D 31/005; F25D 11/003; F25D 11/006; F25D 23/003; F25D 2323/00277; F25D 2201/10; B65D 81/3813; B65D 81/3818; F25B 19/00 See application file for complete search history.</p>	<p>2006/0196218 A1* 9/2006 Mogil A45C 11/20 62/457.4 2006/0279052 A1* 12/2006 Marmah A47C 1/14 280/47.26 2007/0028642 A1* 2/2007 Glade F25D 3/06 62/371 2008/0001373 A1* 1/2008 Vaughn B60B 35/10 280/47.26 2008/0245793 A1* 10/2008 Hanson A45C 11/20 220/263 2009/0217699 A1* 9/2009 Ball A45C 11/20 62/457.7 2009/0260546 A1* 10/2009 George A45C 11/20 108/26 2010/0133326 A1* 6/2010 Sanchez B65D 81/3876 229/87.03 2010/0263398 A1* 10/2010 Webb F25D 3/08 62/331 2011/0226003 A1* 9/2011 Chaney B62B 1/20 62/457.7 2012/0228074 A1* 9/2012 Osler A45C 7/0045 190/18 A 2012/0318177 A1* 12/2012 Piazza, Jr. A45C 9/00 108/14 2013/0082044 A1* 4/2013 Doan H05B 6/6426 219/387 2013/0168882 A1* 7/2013 Lykins B62B 1/125 261/136 2013/0207359 A1* 8/2013 Vanderberg B62B 5/067 280/30 2013/0207360 A1* 8/2013 Vanderberg A45C 11/20 280/30 2015/0010189 A1* 1/2015 Besay H04R 1/028 381/334 2015/0114024 A1* 4/2015 Grepper B01F 7/0025 62/320 2015/0267956 A1* 9/2015 Miller F25D 27/00 62/457.7 2015/0300720 A1* 10/2015 Anderson F25D 3/08 62/398 2015/0338159 A1* 11/2015 Watson F25D 3/06 220/592.03 2016/0023349 A1* 1/2016 Hoppe A45C 7/0045 280/655.1 2016/0025400 A1* 1/2016 Van Wuffen A23L 3/364 426/418 2016/0097551 A1* 4/2016 Johnson F24F 5/0021 62/411 2016/0150862 A1* 6/2016 Tonelli A45C 13/262 190/18 A 2016/0153690 A1* 6/2016 Patsis B65D 25/28 222/608 2016/0183677 A1* 6/2016 Achillopoulos A45C 5/14 190/11 2016/0187046 A1* 6/2016 Chen A45C 11/20 62/239 2016/0244081 A1* 8/2016 Chaloux A45C 15/00 2016/0272405 A1* 9/2016 Furneaux B65D 25/38 2017/0023289 A1* 1/2017 Anderson F25D 3/08 2017/0023290 A1* 1/2017 Demuth F25D 25/022 2017/0027386 A1* 2/2017 Bungard A47J 41/0055 2017/0043800 A1* 2/2017 Chaloux B62B 1/12 2017/0043906 A1* 2/2017 Ravenscraft, Jr. B62B 1/10 2017/0082342 A1* 3/2017 Weinberg A63B 67/002 2017/0129097 A1* 5/2017 Engvall B25H 1/094 2017/0234596 A1* 8/2017 Patsis A45C 11/20 220/592.2 2017/0314845 A1* 11/2017 Tang H04R 1/2807 2017/0370629 A1* 12/2017 Fire B67D 1/0874 2018/0009588 A1* 1/2018 Grogan F25B 21/04 2018/0015938 A1* 1/2018 DeFrancia B62B 5/067 2018/0100682 A1* 4/2018 Nilsen F25D 16/00 2018/0127007 A1* 5/2018 Kravchenko B62B 1/04 2018/0141718 A1* 5/2018 Ahlstrom B65D 25/2841 2018/0141739 A1* 5/2018 Hengen A45C 5/14 2018/0149400 A1* 5/2018 Valencia F25D 3/06 2018/0161975 A1* 6/2018 Brunner B25H 3/02</p>
<p>(56) References Cited U.S. PATENT DOCUMENTS 5,454,477 A * 10/1995 Bornhorst B65D 85/30 220/23.4 5,683,097 A * 11/1997 Fenton A45C 5/14 280/47.26 6,176,499 B1 * 1/2001 Conrado A45C 5/14 280/47.26 6,216,488 B1 * 4/2001 Rucker A45B 11/00 62/331 6,305,185 B1 * 10/2001 Sloan A45C 5/14 62/235.1 6,364,329 B1 * 4/2002 Holub A45C 5/14 280/47.26 D528,368 S * 9/2006 Maldonado D7/605 7,143,601 B1 * 12/2006 Jimenez F25D 23/12 62/457.7 D552,426 S * 10/2007 Jones D7/605 D613,560 S * 4/2010 Robichaud D7/605 7,870,937 B1 * 1/2011 Arnao A45C 9/00 190/1 7,984,997 B1 * 7/2011 Sandberg F21S 9/03 362/101 8,256,156 B1 * 9/2012 Burgoyne, Jr. A01K 97/06 43/54.1 9,448,000 B2 * 9/2016 Patsis B62B 1/10 9,476,638 B1 * 10/2016 Tyler F25D 3/06 9,671,158 B1 * 6/2017 Sandberg F25D 27/00 D792,486 S * 7/2017 Li D15/81 9,726,424 B1 * 8/2017 Sandberg F21V 23/0414 D807,707 S * 1/2018 Grepper D7/605 D807,708 S * 1/2018 Grepper D7/605 D815,919 S * 4/2018 DeFrancia D7/605 9,976,789 B2 * 5/2018 Grepper A45C 11/20 D836,993 S * 1/2019 Meda D7/605 D836,994 S * 1/2019 Meda D7/605 D836,995 S * 1/2019 Carey D7/605 D844,324 S * 4/2019 Hoppe D3/279 D850,217 S * 6/2019 Kittel, III D7/605 D851,138 S * 6/2019 Murobayashi D15/81 D863,892 S * 10/2019 Ellison D7/605 D863,893 S * 10/2019 Ellison D7/605 D869,244 S * 12/2019 Ellison D7/605 D873,085 S * 1/2020 DeFrancia D7/605 D883,752 S * 5/2020 Carey D7/605 D884,434 S * 5/2020 Merlino D7/605 10,641,538 B1 * 5/2020 Tang F25D 23/06 D887,788 S * 6/2020 Meda D7/605 D888,503 S * 6/2020 Meda D7/605 10,731,919 B1 * 8/2020 Gutierrez F25D 27/005 D905,129 S * 12/2020 Deng D15/81 D906,377 S * 12/2020 Tang D15/79 D907,074 S * 1/2021 Yang D15/83 10,967,896 B2 * 4/2021 Kravchenko B62B 1/26 D917,977 S * 5/2021 Brunner D7/605 D922,148 S * 6/2021 Yang D7/605 D922,454 S * 6/2021 Tang D15/79 11,027,885 B2 * 6/2021 Duong B65D 25/2841 D927,939 S * 8/2021 Ellison D7/605 D929,188 S * 8/2021 Pennington D7/605 D929,189 S * 8/2021 Pennington D7/605 D937,328 S * 11/2021 Tang D15/79 2005/0081558 A1 * 4/2005 Yoshida F25D 11/003 62/457.9 2005/0263527 A1 * 12/2005 Maldonado A45C 13/40 220/592.2 2006/0065655 A1 * 3/2006 Taylor B65D 11/1826 220/6</p>	

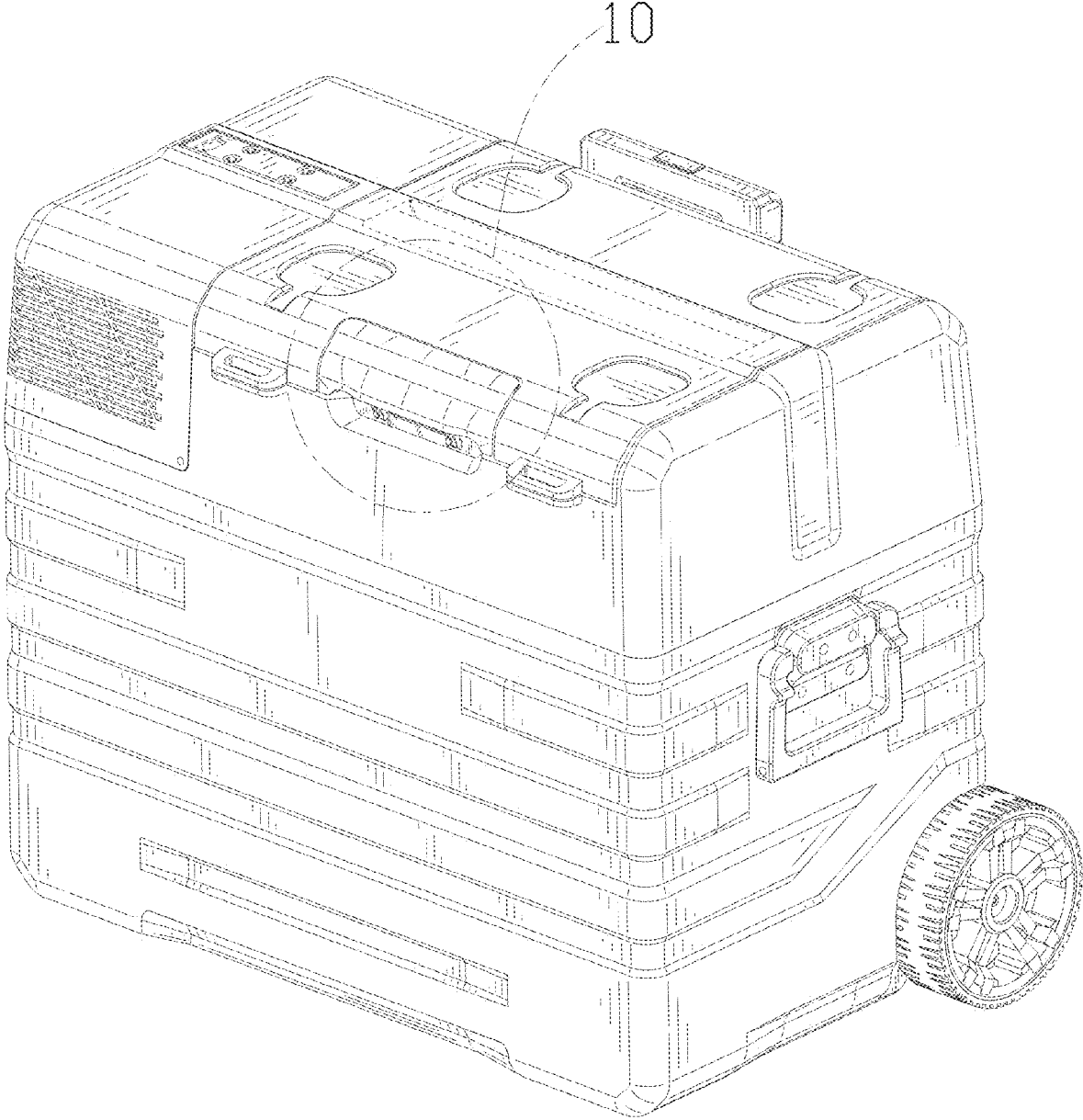


FIG. 1

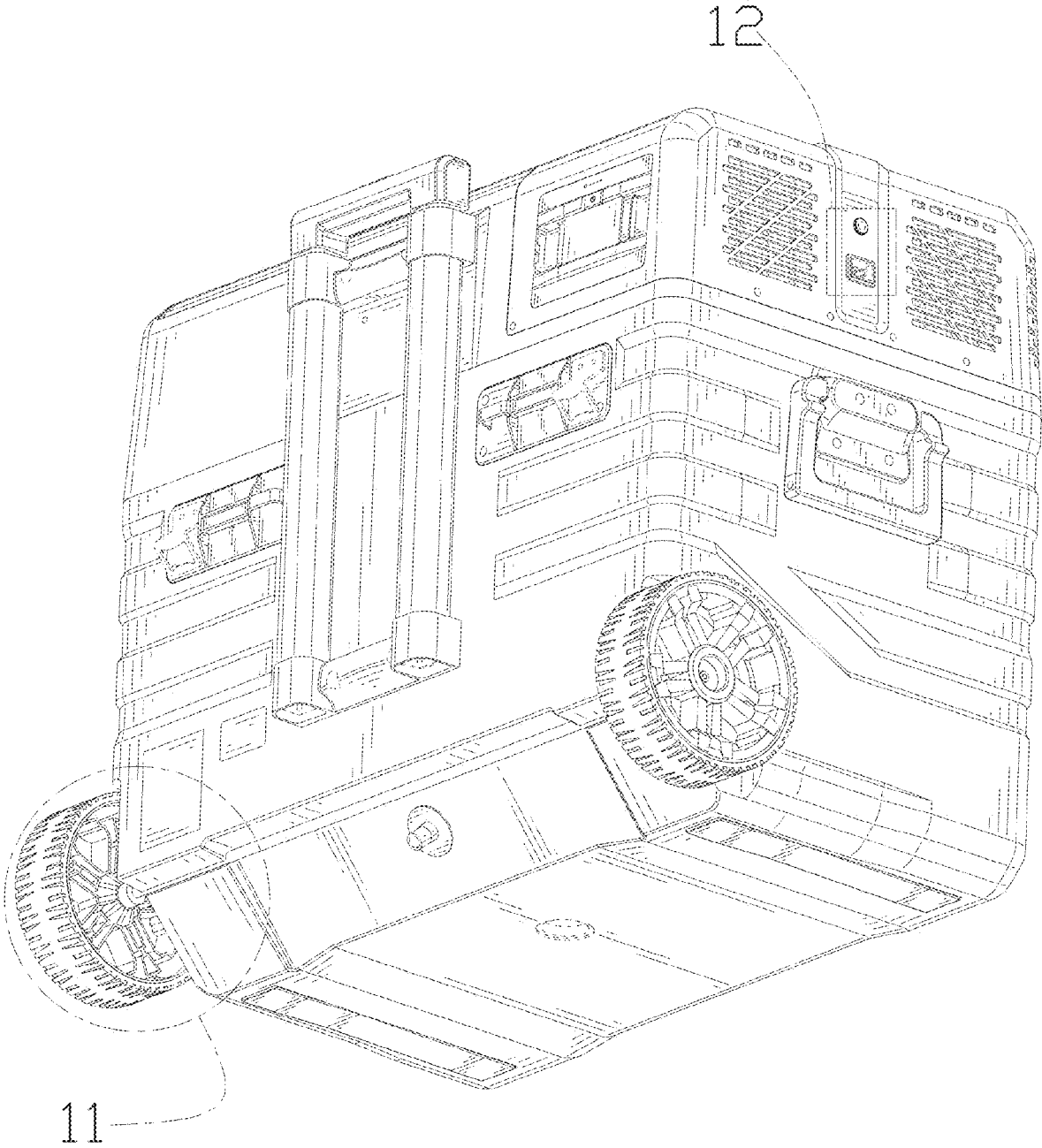


FIG. 2

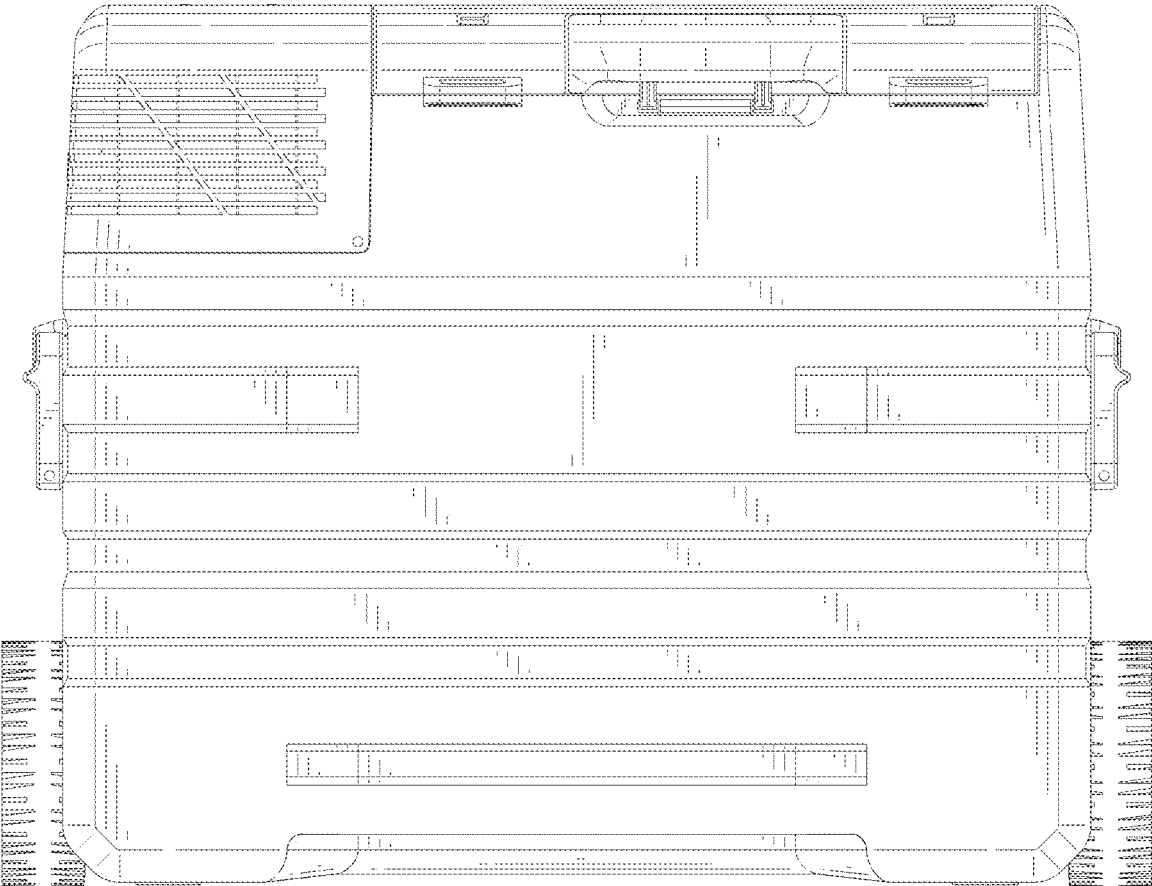


FIG. 3

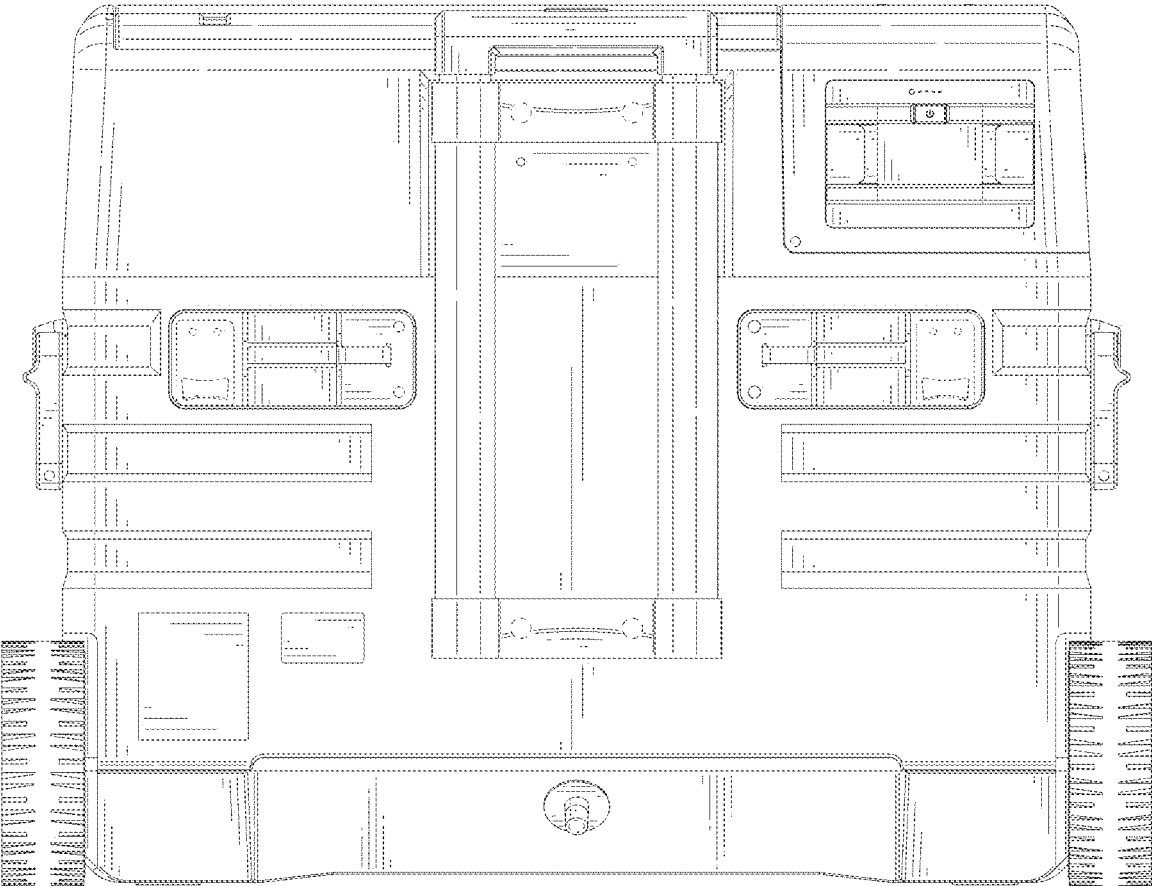


FIG. 4

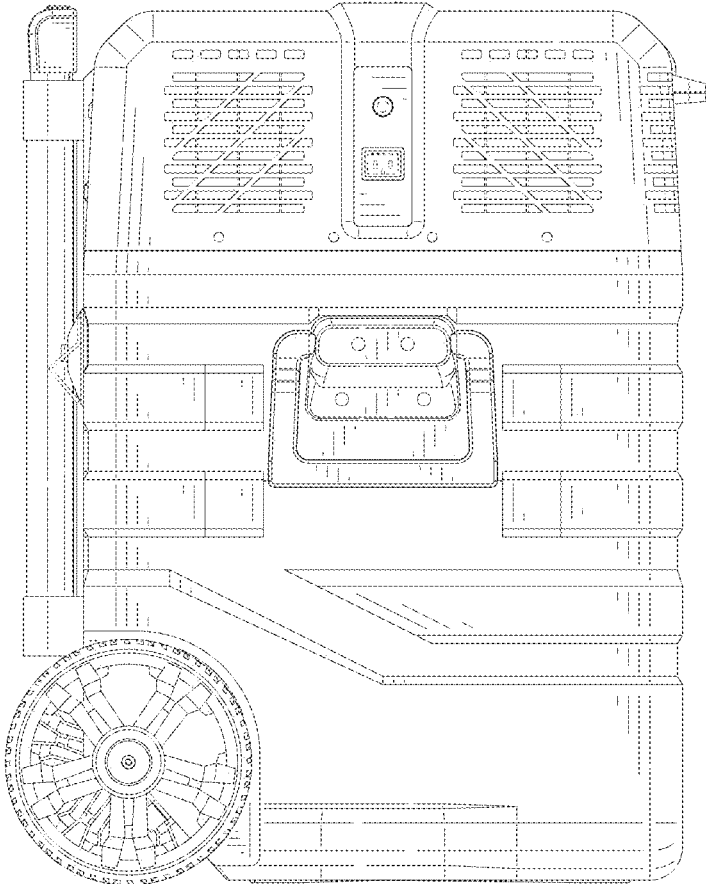


FIG. 5

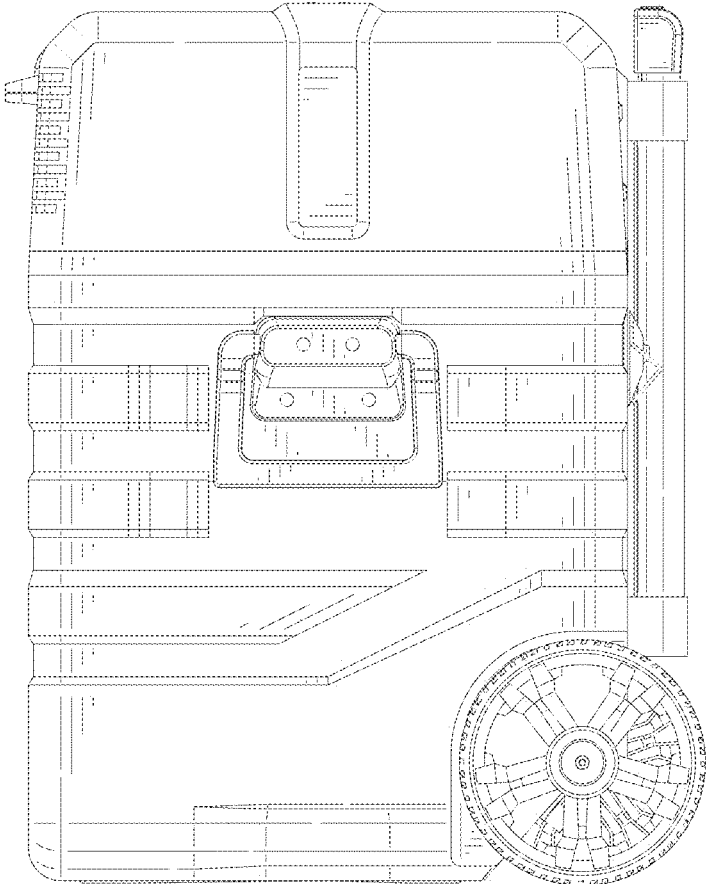


FIG. 6

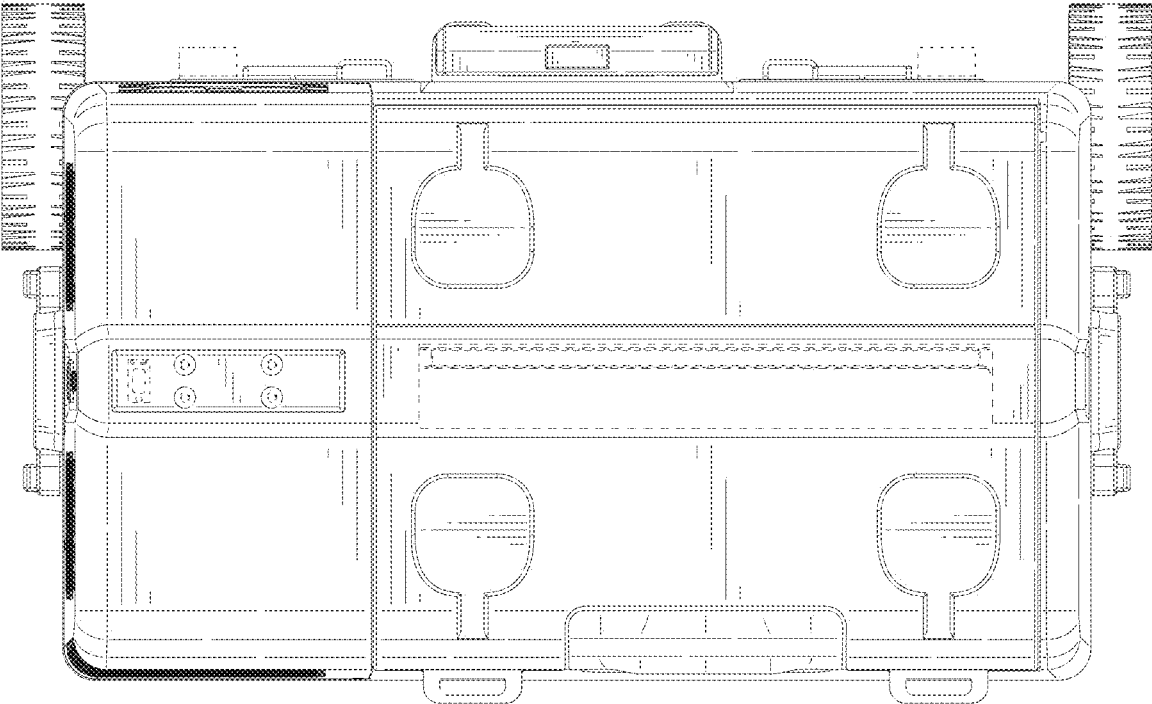


FIG. 7

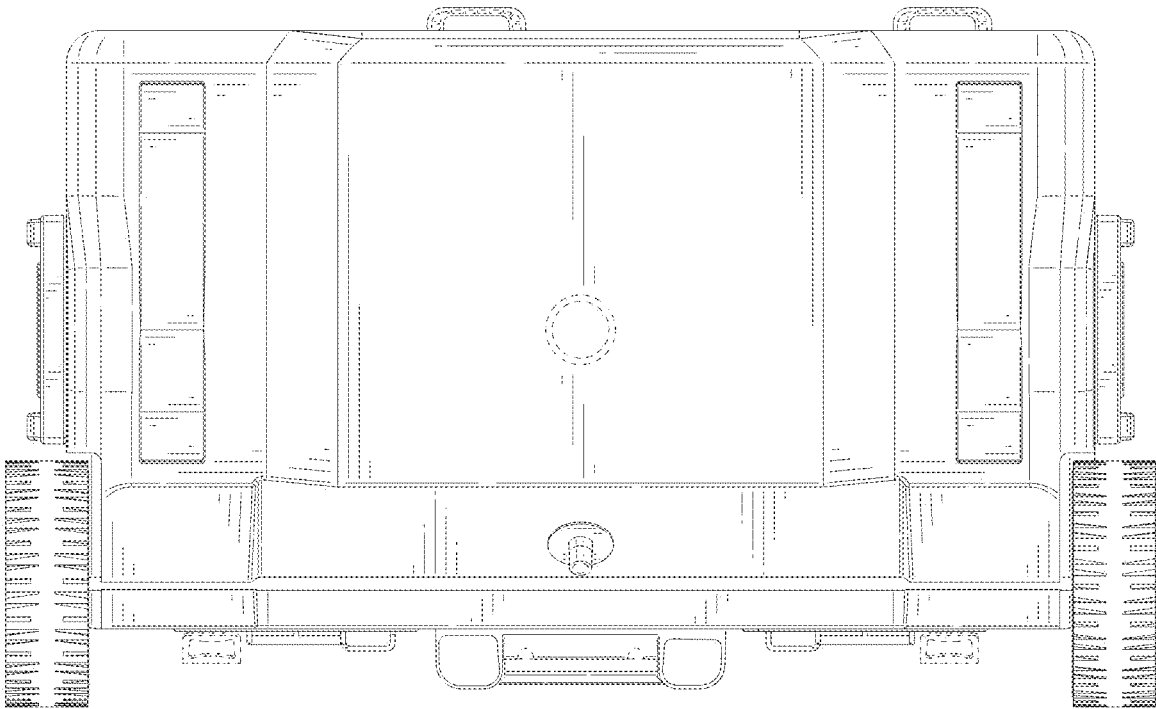


FIG. 8

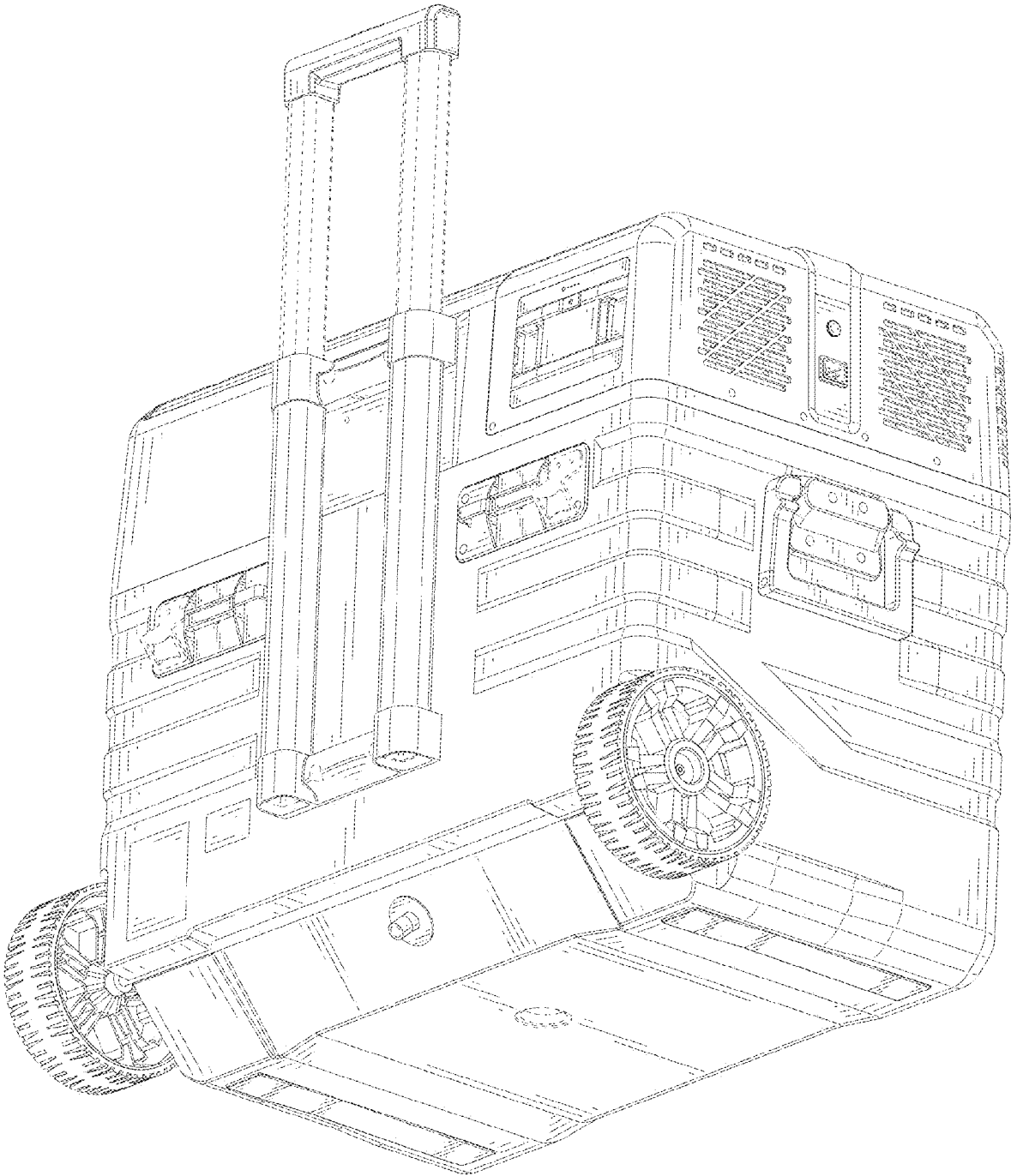


FIG. 9

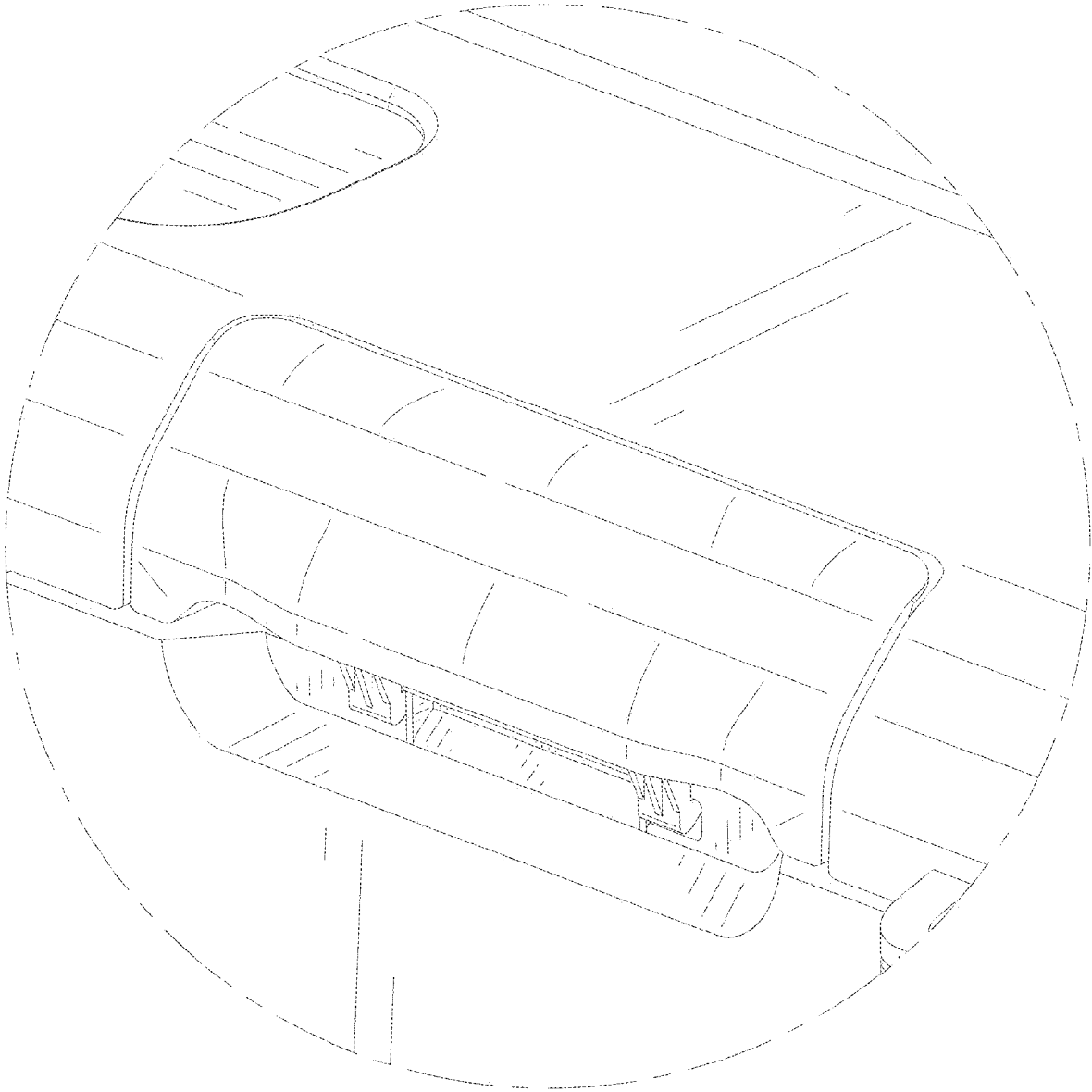


FIG. 10

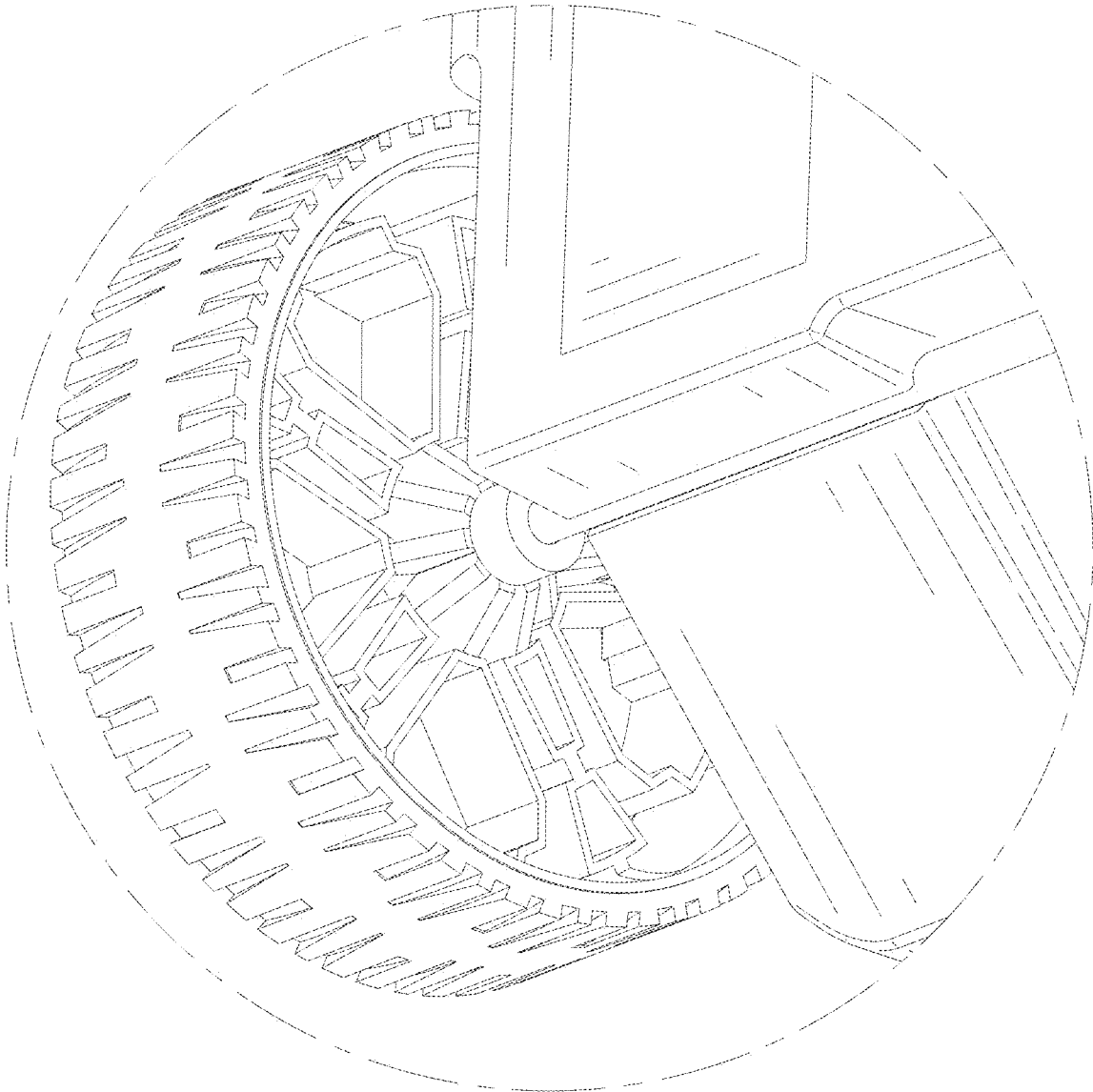


FIG. 11

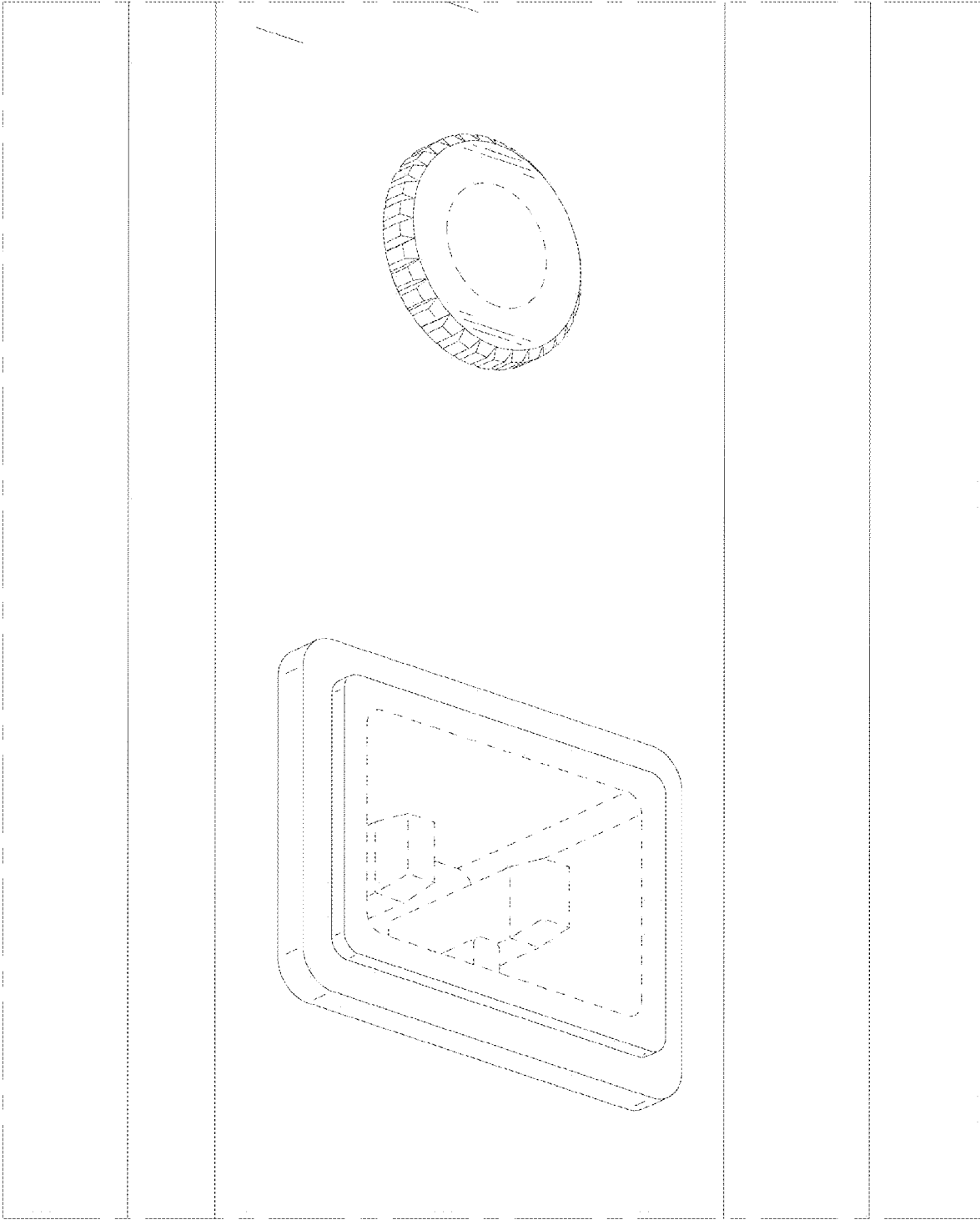


FIG. 12